

ACCESS SERVICE

Regulations, Rates and Charges applying to the provision of Access Service within a Local Access Transport Area (LATA) or equivalent Market Area for connection to interstate communications facilities for Interstate Customers within the operating territories of Windstream Issuing Carriers listed on Title Page 2.

Access Services are provided by means of wire, fiber optics, radio or any other suitable technology or combination thereof.

All material in this entire tariff is new.

*This tariff is issued under authority of Special Permission No. 12-026 of the Federal Communications Commission.

(TR57)

Issued: July 17, 2012

Effective: August 1, 2012

Director - Tariffs
Windstream Communications, Inc.
4001 Rodney Parham Rd.
Little Rock, AR 72212

ACCESS SERVICE

ISSUING CARRIERS

Windstream Accucomm Telecommunications, LLC
906 Vista Drive
Dalton, GA 30722

Windstream Georgia Telephone, LLC
906 Vista Drive
Dalton, GA 72203

Windstream Montezuma, Inc.
4001 Rodney Parham Road
Little Rock, AR 72212

Windstream Buffalo Valley, Inc.
201 North Jefferson Street
Kittanning, PA 16201-0300

Windstream Conestoga, Inc.
201 North Jefferson Street
Kittanning, PA 16201-0300

Windstream D&E, Inc.
201 North Jefferson Street
Kittanning, PA 16201-0300

(TR57)

Issued: July 17, 2012

Effective: August 1, 2012

Director - Tariffs
Windstream Communications, Inc.
4001 Rodney Parham Rd.
Little Rock, AR 72212

ACCESS SERVICE

CHECK SHEET

Title Pages 1 to 2 and Pages 1 to 17-29 inclusive of this tariff are effective as of the date shown. Original and revised pages as named below and Supplement No. 1* contain all changes from the original tariff that are in effect on the date hereof.

<u>Page</u>	<u>Number of Revision Except as Indicated</u>	<u>Page</u>	<u>Number of Revision Except as Indicated</u>	<u>Page</u>	<u>Number of Revision Except as Indicated</u>
Title Page 1	1 st Revised				
1	52nd Revised *				
5	1 st Revised				
1-1	1 st Revised				
2-1	2 nd Revised				
2-2	1 st Revised				
2-3	Original				
2-4	Original				
2-5	Original				
2-6	Original				
2-7	Original				
2-8	Original				
2-9	Original				
2-10	Original				
2-11	Original				
2-12	Original				
2-13	Original				
2-14	Original				
2-15	Original				
2-15.1	Original				
5-1	1 st Revised				
6-1	3 rd Revised				
6-2	Original				
6-3	Original				
6-4	Original				
7-1	2 nd Revised				
17-1	12 th Revised				
17-2	45th Revised *				
17-5	5 th Revised				
17-7	2 nd Revised				
17-8	6 th Revised				
17-9	3 rd Revised				
17-13	3 rd Revised				
17-15	3 rd Revised				
17-17	6 th Revised				
17-18	1 st Revised				
17-20	1 st Revised				
17-21	1 st Revised				
17-22	1 st Revised				
17-25	1 st Revised				

* New or revised page.

(TR123)

Issued: December 15, 2023

Effective: January 1, 2024

4005 N Rodney Parham Road
Little Rock, Arkansas 72212

Under the authority of DA 12-1202 adopted in Order WCB/Pricing No. 12-63 and released on July 31, 2012, material filed under Transmittal No. 57, as indicated on the revised pages listed below the effective date is advanced to July 31, 2012 and then suspended for one day to become effective August 1, 2012.

Transmittal No. 57

Page 17-1 Original	
Page 17-2 Original	
Page 17-3 Original	
Page 17-4 Original	
Page 17-5 Original	
Page 17-6 Original	
Page 17-7 Original	
Page 17-8 Original	
Page 17-9 Original	
Page 17-10 Original	
Page 17-11 Original	
Page 17-12 Original	
Page 17-13 Original	
Page 17-14 Original	
Page 17-15 Original	
Page 17-16 Original	
Page 17-17 Original	
Page 17-18 Original	
Page 17-19 Original	
Page 17-20 Original	
Page 17-21 Original	
Page 17-22 Original	
Page 17-23 Original	
Page 17-24 Original	
Page 17-25 Original	
Page 17-26 Original	
Page 17-27 Original	
Page 17-28 Original	
Page 17-29 Original	

(TR58)

Issued: August 3, 2012

Vice President - Tariffs
4001 Rodney Parham Rd.
Little Rock, Arkansas 72212

ACCESS SERVICE

TABLE OF CONTENTS

	<u>Page No.</u>
Check Sheets	1
Table of Contents	3
Concurring Carriers	7
Connecting Carriers	7
Other Participating Carriers	7
Registered Service Marks Registered Trademarks	7
Users Guide	7
Explanation of Symbols	8
Explanation of Abbreviations	8
Reference to Other Tariffs	11
Reference to Other Publications	11
1. <u>APPLICATION OF TARIFF</u>	1-1
2. <u>GENERAL REGULATIONS</u>	2-1
3. <u>FEDERAL UNIVERSAL SERVICE CHARGE, ISDN LIN PORTS AND DS1 LINE PORT</u>	3-1
4. <u>END USER ACCESS SERVICE</u>	4-1
5. <u>ACCESS ORDERING</u>	5-1

ACCESS SERVICE

TABLE OF CONTENTS (Cont'd)

	<u>Page No.</u>
6. <u>SWITCHED ACCESS SERVICE</u>	6-1
7. <u>SPECIAL ACCESS SERVICE</u>	7-1
8. <u>DIGITAL SUBSCRIBER LINE ACCESS SERVICES</u>	8-1
9. <u>DIRECTORY ASSISTANCE SERVICE</u>	9-1
10. <u>SPECIAL FEDERAL GOVERNMENT ACCESS SERVICES</u>	10-1
11. <u>SPECIAL FACILITIES ROUTING OF ACCESS SERVICES</u>	11-1
12. <u>SPECIALIZED SERVICE OR ARRANGEMENTS</u>	12-1
13. <u>ADDITIONAL ENGINEERING, ADDITIONAL LABOR AND MISCELLANEOUS SERVICES</u>	13-1
14. <u>EXCEPTIONS TO ACCESS SERVICE OFFERINGS</u>	14-1
15. <u>ACCESS SERVICE INTERFACES AND TRANSMISSION SPECIFICATIONS</u>	15-1
16. <u>PUBLIC PACKET DATA NETWORK</u>	16-1

ACCESS SERVICE

TABLE OF CONTENTS (Cont'd)

	<u>Page No.</u>
17. <u>RATES AND CHARGES</u>	17-1
17.1 <u>Common Line Access Service</u>	17-1
17.1.1 Reserved for Future Use	17-1
17.1.2 End User Access Service	17-1
17.1.3 Reserved for Future Use	17-1
17.1.4 Federal Universal Service Fee (FUSC)	17-2
17.1.5 End User ISDN Line Ports	17-2
17.2 <u>Switched Access Service</u>	17-3
17.2.1 Nonrecurring Charges	17-3
17.2.2 Local Transport	17-4
17.2.3 End Office	17-8
17.2.4 Operator Transfer Service	17-10
17.2.5 Assumed Minutes of Use	17-11
17.3 <u>Special Access Service</u>	17-12
17.3.1 Surcharge for Special Access Service	17-12
17.3.2 Voice Grade Service	17-13
17.3.3 Digital Data Service	17-15
17.3.4 High Capacity Service	17-17
17.3.5 Service Discount Plans	17-20
17.4 <u>Other Services</u>	17-23
17.4.1 Access Ordering	17-23
17.4.2 Additional Engineering	17-23
17.4.3 Additional Labor	17-23
17.4.4 Miscellaneous Services	17-24
17.4.5 Special Federal Government Access Services	17-28
17.4.6 Special Facilities Routing of Access Services	17-29
17.4.7 Specialized Services or Arrangements	17-29

(D)

(TR93)

Issued: November 16, 2017

Effective: December 1, 2017

Vice President - Tariffs
4001 Rodney Parham Rd.
Little Rock, Arkansas 72212

ACCESS SERVICE

CONCURRING CARRIERS

NO CONCURRING CARRIERS

CONNECTING CARRIERS

NO CONNECTING CARRIERS

OTHER PARTICIPATING CARRIERS

All Exchange Telephone Companies that have Access Tariffs on file under Part 69 of the Federal Communications Rules and Regulations with which WINDSTREAM TELEPHONE SYSTEM jointly provide Switched and Special Access Service.

REGISTERED SERVICE MARKS

NONE

REGISTERED TRADEMARKS

NONE

USERS GUIDE

General

- This tariff references the National Exchange Carrier Association, Inc., Access Service Tariff F.C.C. No. 5 for its terms and conditions. This tariff contains rates applicable to Interstate Access Services provided by the issuing carriers.

ACCESS SERVICE

EXPLANATION OF SYMBOLS

(C)	-	To signify changed regulation
(D)	-	To signify discontinued rate or regulation
(I)	-	To signify increase
(M)	-	To signify matter relocated without change
(N)	-	To signify new rate or regulation
(R)	-	To signify reduction
(S)	-	To signify reissued matter
(T)	-	To signify a change in text but no change in rate or regulation
(Z)	-	To signify a correction

EXPLANATION OF ABBREVIATIONS

ACR	-	Alternate Carrier Routing
ADA	-	Abbreviated Dialing Arrangement
ADM	-	Add/Drop Multiplexing
ADSL	-	Asymmetric Digital Subscriber Line
AIN	-	Advanced Intelligent Network
AML	-	Actual Measured Loss
ANI	-	Automatic Number Identification
AP	-	Program Audio
ATM	-	Asynchronous Transfer Mode
ATM-CRS	-	Asynchronous Transfer Mode Cell Relay Access Service
BHMC	-	Busy Hour Minutes of Capacity
CBR	-	Constant Bit Rate
CCS	-	Common Channel Signaling
CDP	-	Customer Designated Premises
CI	-	Channel Interface
CIR	-	Committed Information Rate
CN Charge Number (N)		
CNP	-	Charge Number Parameter
CO	-	Central Office
Cont'd	-	Continued
CoS Class of Service		
CPE	-	Customer Provided Equipment
CPN	-	Calling Party Number
CSP	-	Carrier Selection Parameter
DA	-	Directory Assistance
dB	-	decibel
dBrnC	-	Decibel Reference Noise C-Message Weighting
dBrnCO	-	Decibel Reference Noise C-Message Weighted O
dc	-	direct current
DDD	-	Direct Distance Dialing
DSL	-	Digital Subscriber Line

ACCESS SERVICE

EXPLANATION OF ABBREVIATIONS (Cont'd)

EAS	-	Extended Area Service
EDD	-	Envelope Delay Distortion
EML	-	Expected Measured Loss
EPL	-	Echo Path Loss
ERL	-	Echo Return Loss
ESS	-	Electronic Switching System
ESSX	-	Electronic Switching System Exchange
ETS	-	Ethernet Transport Service
f	-	frequency
F.C.C.	-	Federal Communications Commission
FRAS	-	Frame Relay Access Service
GETS	-	Government Emergency Telecommunications Service
HC	-	High Capacity
HPC	-	High Probability of Completion
Hz	-	Hertz
IC	-	Interexchange Carrier
ICB	-	Individual Case Basis
ICL	-	Inserted Connection Loss
IP	-	Internet Protocol
IPG	-	Internet Protocol Gateway Access Service
ISDN BRI	-	Integrated Services Digital Network Basic Rate Interface
ISDN PRI	-	Integrated Services Digital Network Primary Rate Interface
kbps	-	kilobits per second
kHz	-	kilohertz
LAN	-	Local Area Network
LATA	-	Local Access and Transport Area
LBR-VCC	-	Low Bit Rate-Virtual Circuit Channel
LNP	-	Local Number Portability
LRN	-	Location Routing Number
ma	-	milliamperes
Mbps	-	Megabits per second
mcs	-	Microsecond
MHz	-	Megahertz
MM-VCC	-	MultiMedia Virtual Circuit Channel
MRC	-	Monthly Recurring Charge
MT	-	Metallic
MTS	-	Message Telecommunications Service(s)

ACCESS SERVICE

EXPLANATION OF ABBREVIATIONS (Cont'd)

NNI	-	Network to Network Interface
NPA	-	Numbering Plan Area
NRC	-	Nonrecurring Charge
NXX	-	Three-Digit Central Office Prefix
OC	-	Optical Carrier
OLT	-	Optical Line Termination
PBX	-	Private Branch Exchange
PIC	-	Presubscribed Interexchange Carrier
POT	-	Point of Termination
PSTN	-	Public Switched Telephone Network
PVC	-	Permanent Virtual Connection
SAC	-	Service Access Code
SDSL	-	Symmetric Digital Subscriber Line
SNAL	-	Signaling Network Access Line
SONET	-	Synchronous Optical Network
SP	-	Signaling Point
SPOI	-	Signaling Point of Interface
SRL	-	Singing Return Loss
SSP	-	Service Switching Point
SS7	-	Signaling System 7
STP	-	Signal Transfer Point
STS	-	Synchronous Transport Signal
SWC	-	Serving Wire Center
TDM	-	Time Division Multiplexing (N)
TG	-	Telegraph Grade
TLP	-	Transmission Level Point
TV	-	Television
UBR	-	Unspecified Bit Rate
UNI	-	User Network Interface
V & H	-	Vertical & Horizontal
VBR-nrt	-	Variable Bit Rate - non-real time
VBR-rt	-	Variable Bit Rate - real time
VCC	-	Virtual Circuit Channel
VG	-	Voice Grade
VP	-	Virtual Path
WATS	-	Wide Area Telecommunications Service(s)
WSC	-	Wireless Switching Center
WSO	-	WATS Serving Office

ACCESS SERVICE

REFERENCE TO OTHER TARIFFS

Whenever reference is made in this tariff to other tariffs, the reference is to the tariffs in force as of the effective date of this tariff, and to amendments thereto and successive issues thereof.

The following tariff is referenced in this tariff and may be obtained from the National Exchange Carrier Association, 80 South Jefferson Road, Whippany, NJ 07981-1009 or in electronic format on the Internet at www.neca.org.

National Exchange Carrier Association, Inc.
Tariff F.C.C. No. 5

REFERENCE TO OTHER PUBLICATIONS

Technical Publications referenced in this Tariff are the same as those set forth in the National Exchange Carrier Association Tariff F.C.C. No. 5.

ACCESS SERVICE

1. Application of Tariff

1.1 This tariff contains regulations, rates and charges applicable to the provision of Carrier Common Line, End User Access, Switched Access and Special Access Services, and other miscellaneous services, hereinafter referred to collectively as service(s), provided to customers by the Issuing Carriers of this tariff, hereinafter referred to as the Telephone Company.

1.2 The provision of such services by the Telephone Company as set forth in this tariff does not constitute a joint undertaking with the customer for the furnishing of any service.

1.3 In accordance with the FCC's Business Data Services Report and Order (FCC 17-43) released April 28, 2017, rates, terms and conditions for Special Access packet-based services, TDM-based services exceeding a DS3 bandwidth, High-capacity (DS1 or above) transport services are set forth in the Windstream ILEC Interstate Business Data Services Guidebook. In addition, rates, terms and conditions for channel terminations for DS1 and DS3 services provided in wire centers where the physical address of the wire center is in a county or county equivalent designated as competitive pursuant to the FCC's list of competitive and non-competitive counties also will be provided pursuant to the rates, terms and conditions of the Windstream ILEC Interstate Business Data Services Guidebook. Special Access services having bandwidths lower than 1.544 Mbps and channel termination for DS1 and DS3 services provided in wire centers where the physical address of the wire center is in a county or county equivalent designated as non-competitive pursuant to the FCC's list of competitive and non-competitive counties will be provided pursuant to the rates, terms and conditions of this tariff. A listing of the Windstream ILEC wire centers designated as non-competitive is provided at 7.14 following.

(T)

(T)

(T)

(T)

(N)

Special Access Service that remains subject to Section 203 of the Communications Act must be filed in this tariff. Special Access Service not subject to Section 203 is provided outside this tariff. Documents, agreements or contracts that provide service outside this tariff may be accessed at carrier's website or carrier's other designated location. Rates and regulations for Special Access Service provided outside this tariff cannot supersede, negate or revise the rates and regulations contained within this tariff, and deemed lawful status does not convey to such non-tariffed services.

(N)

(TR93)

Issued: November 16, 2017

Effective: December 1, 2017

Vice President - Tariffs
4001 Rodney Parham Rd.
Little Rock, Arkansas 72212

ACCESS SERVICE

2. General Regulations2.1 Exceptions to National Exchange Carrier Association Tariff F.C.C. No. 5

Regulations, Terms and Conditions for Access Services are the same as those set forth in Section 2 of the National Exchange Carrier Association Tariff F.C.C. No. 5, except as set forth following:

References to Directory Assistance Services are not applicable as the service is not offered.

References to DA Service and Directory Access Service are not applicable as the services are not offered.

References to Directory Transport are not applicable as the service is not offered.

References to Special Access services for Metallic, Telegraph Grade, Program Audio and Video Access are not applicable as the service is not offered.

References to Digital Subscriber Line Access Service are not applicable as the service is not offered.

References to Public Packet Data Network Services (i.e. Frame Relay Service, Asynchronous Transfer Mode Cell Relay Access Service, Ethernet Transport Service and Internet Protocol Gateway (IPG) Access Service) are not applicable as the service is not offered.

Section 2.4.7 (B) (3) relating to the Determination of Meet Point Billed Local Transport, Directory Transport and Channel Mileage Charges is replaced with the terms and conditions set forth in Section 2.2 below.

Section 2.4.1 (C) (1) relating to Payment Dates and Late Payment Penalties is replaced with the terms and conditions set forth in Section 2.3 below.

(N)
(N)

(TR103)

ACCESS SERVICE

2. General Regulations

2.2 Payment Arrangements and Credit Allowances

2.2.1 Access Services Provided By More Than One Telephone Company

(A) Meet Point Billing

(1) Determination of Meet Point Billed Local Transport and Channel Mileage Charges (Cont'd)

(c) (Cont'd)

The Tandem Switched Termination rate is applied as set forth in 6.2.1(A) following. The Switched Access Nonrecurring Charges are applied as set forth in 6.4.1(B) of NATIONAL EXCHANGE CARRIER ASSOCIATION, INC. TARIFF F.C.C. NO. 5 (Note: The BP is not applied to the Switched Access Tandem Switched Termination rate or any Nonrecurring Charge.)

(d) For Feature Groups A, B, C and D Direct Trunked Transport:

- multiply the number of airline miles, as set forth in (a) preceding, times the BP for each Telephone Company, as set forth in (b) preceding, times the Direct Trunked Facility rate.

- The Direct Trunked Termination rate is applied as set forth in 6.1.3(A) following. The Switched Access Nonrecurring Charges are applied as set forth in 6.4.1(B) following. (Note: The BP is not applied to either the Switched Access Direct Trunked Termination rate or any Nonrecurring Charge.)

(N)

(N)

(TR89)

ACCESS SERVICE

2. General Regulations

2.2 Payment Arrangements and Credit Allowances

2.2.1 Access Services Provided By More Than One Telephone Company

(A) Meet Point Billing

(1) Determination of Meet Point Billed Local Transport and Channel Mileage Charges (Cont'd)

(e) For Feature Groups A, B, C and D:

When the end office (which may be a Remote Switching Module or WATS Serving Office) is located within the operating territory of The Telephone Company, multiply the Interconnection Charge rate times the number of originating and terminating access minutes that are switched at the end office.

When the Entrance Facility and/or Multiplexing equipment is located within the operating territory of The Telephone Company, the Entrance Facility and/or Multiplexing charge will apply.

The Billing Percentage (BP) is not applicable to the Residual Interconnection charge, Entrance Facility or Multiplexer.

(f) For Special Access, multiply the number of airline miles, as set forth in (a) preceding, times the BP for each Telephone Company, as set forth in (b) preceding, times the Channel Mileage Facility rate and add the Channel Mileage Termination rate.

The Special Access Channel Mileage Termination rate and nonrecurring charges are applied as set forth in 7.2.1(B)(2) and 7.2.2(C) of NATIONAL EXCHANGE CARRIER ASSOCIATION, INC. TARIFF F.C.C. NO. 5. (Note: The BP is not applied to either the Channel Mileage Termination Recurring Rate or any Nonrecurring Charge.)

(g) When three or more Telephone Companies are involved in providing an Access Service, the intermediate Telephone Company(s) will determine the appropriate charges as set forth in (c) through (f) preceding. Additionally, when a segment of the Tandem Switched Facility, Direct Trunked Facility or Channel Mileage Facility is measured to the intermediate office(s), Tandem Switched Termination, the Direct Trunked Termination or Channel Mileage Termination rates are also applied at the intermediate Telephone Company(s) office(s).

(N)

(N)

(TR89)

ACCESS SERVICE

2. General Regulations

2.2 Payment Arrangements and Credit Allowances

2.2.1 Access Services Provided By More Than One Telephone Company

(A) Meet Point Billing

(1) Determination of Meet Point Billed Local Transport and Channel Mileage Charges (Cont'd)

(h) Example 1 - Originating Switched Access

(See Diagram 1)

Feature Group D Switched Access ordered to End Office A.

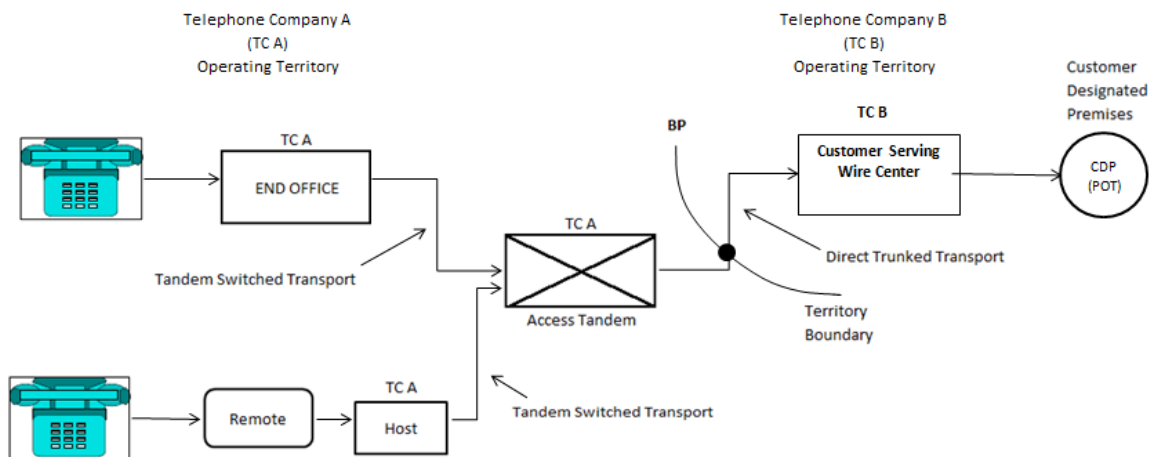
Originating End Office and Access Tandem are in the operating territory of a Telephone Company (TC-A)

Customer designated premises is in the operating territory of a Telephone Company (TC-B)

Assumptions:

- TC-A Direct Trunk Transport BP = 40%
- TC-B Direct Trunk Transport BP = 60%
- Direct Trunked Transport mileage = 26 mi.
- Tandem Switched Transport mileage = 23 mi

Diagram 1



(N)

(N)

(TR89)

ACCESS SERVICE

2. General Regulations

2.2 Payment Arrangements and Credit Allowances

2.2.1 Access Services Provided By More Than One Telephone Company

(A) Meet Point Billing

(1) Determination of Meet Point Billed Local Transport and Channel Mileage Charges (Cont'd)

(h) Example 1 - Originating Switched Access (Cont'd)
(See Diagram 1)

Telephone Company A charges are:

End Office charges = 9,000 min. x EO rate

Tandem Switched Facility charge
= 9,000 min. x 23 mi. x TSF rate

Tandem Switched Termination charge
= 2 terminations x 9,000 min. x TST rate

Tandem Switching charge
= 9,000 min x TS rate

Direct Trunked Facility charge
= 26 miles x DTF rate x 40%

Direct Trunked Termination charge
= 1 termination x DTT rate

Tandem Switched Multiplexing charge
= 9,000 min x TSM rate

(N)

(N)

(TR89)

ACCESS SERVICE

2. General Regulations

2.2 Payment Arrangements and Credit Allowances

2.2.1 Access Services Provided By More Than One Telephone Company

(A) Meet Point Billing

(1) Determination of Meet Point Billed Local Transport and Channel Mileage Charges (Cont'd)

(i) Example 2: Terminating Switched Access Tandem 3rd Party (Cont'd)

Diagram 2A

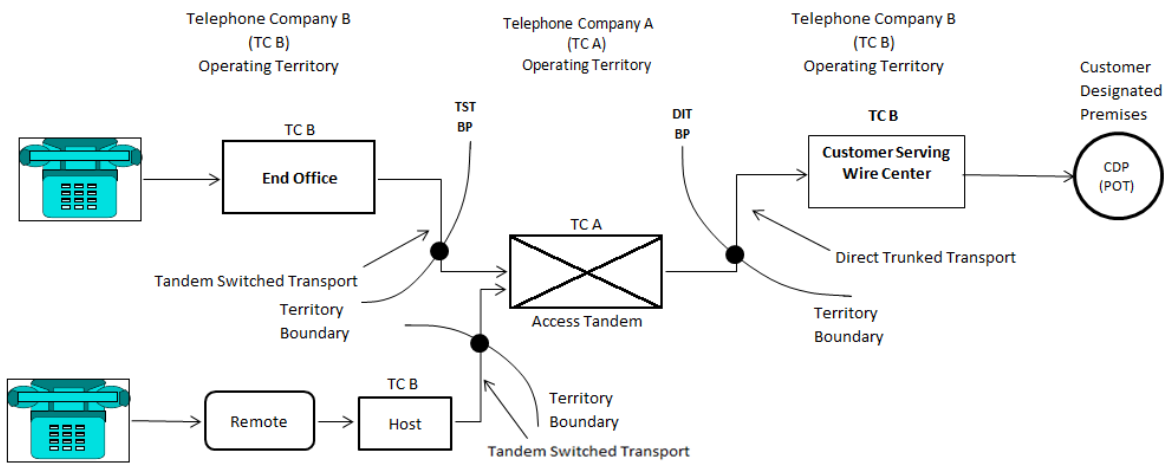
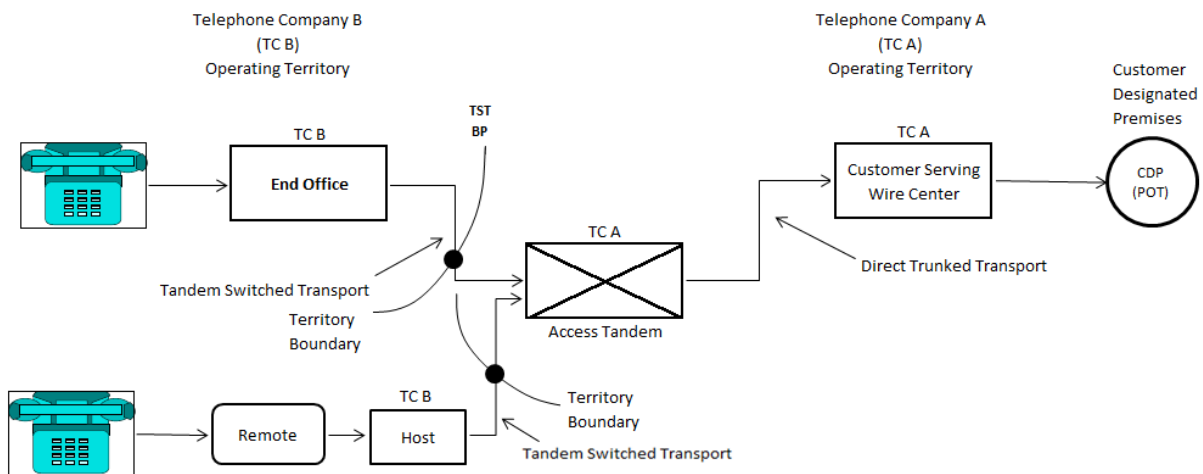


Diagram 2B



(TR89)

(N)

(N)

ACCESS SERVICE

2. General Regulations

2.2 Payment Arrangements and Credit Allowances

2.2.1 Access Services Provided By More Than One Telephone Company

(A) Meet Point Billing

(1) Determination of Meet Point Billed Local Transport and Channel Mileage Charges (Cont'd)

(j) Example 3: Terminating Switched Access Tandem End Office
(See Diagram 3)

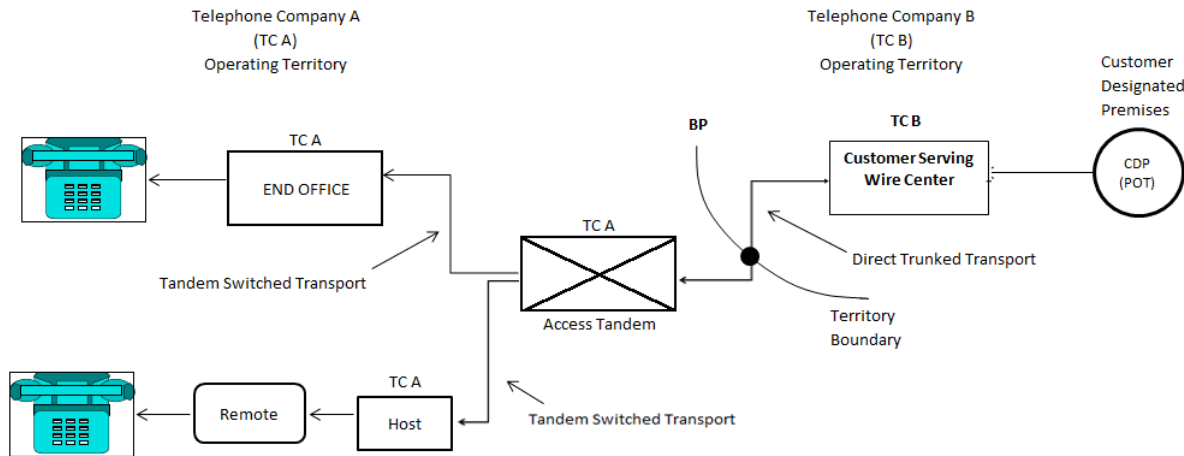
Feature Group D Switched Access is ordered to End Office.

Terminating End Office and Access Tandem are both owned by The Telephone Company (TC-A)

Assumptions:

- TC-A Direct Trunk Transport BP = 40%
- TC-B Direct Trunk Transport BP = 60%
- Direct Trunk Transport mileage = 26 mi.
- Tandem Switched Transport mileage = 23 mi.

Diagram 3



(N)

(N)

(TR89)

ACCESS SERVICE

2. General Regulations

2.2 Payment Arrangements and Credit Allowances

2.2.1 Access Services Provided By More Than One Telephone Company

(A) Meet Point Billing

(1) Determination of Meet Point Billed Local Transport and Channel Mileage Charges (Cont'd)

(j) Example 3: Terminating Switched Access Tandem End Office (Cont'd)
(See Diagram 3)

Telephone Company A charges are:

End Office Charges = 9,000 min. x EO rate

Tandem Switched Facility charge = 9,000 min. x 23 mi. x TSF End Office rate

Tandem Switched Termination charge = 2 terminations x 9,000 min. x TST End Office rate

Tandem Switching charge = 9,000 min. x TS End Office rate

Direct Trunked Facility Charge = 26 miles x DTF rate x 40%

Direct Trunked Termination charge = 1 termination x DTT rate

Tandem Switched Multiplexing charge = 9,000 min x TSM End Office rate

(N)

(N)

(TR89)

ACCESS SERVICE

2. General Regulations

2.2 Payment Arrangements and Credit Allowances

2.2.1 Access Services Provided By More Than One Telephone Company

(A) Meet Point Billing

(1) Determination of Meet Point Billed Local Transport and Channel Mileage Charges (Cont'd)

(k) Example 4: Originating Switched Access - The Telephone Company owns only the End Office
(See Diagram 4)

Feature Group D Switched Access is ordered to End Office

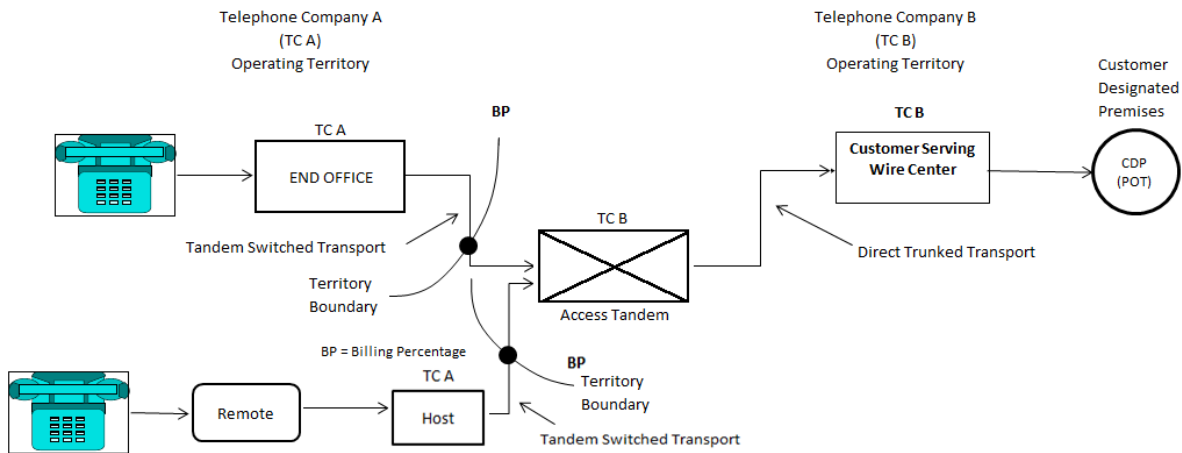
End Office is owned by The Telephone Company (TC-A)

Access Tandem is not owned by The Telephone Company (TC-B)

Assumptions:

- Direct Trunk Transport mileage = 26 mi.
- TC-A Tandem Switched Transport BP = 80%
- TC-B Tandem Switched Transport BP = 20%
- Tandem Switched Transport mileage = 23 mi.

Diagram 4



(TR89)

ACCESS SERVICE

2. General Regulations

2.2 Payment Arrangements and Credit Allowances

2.2.1 Access Services Provided By More Than One Telephone Company

(A) Meet Point Billing

(1) Determination of Meet Point Billed Local Transport and Channel Mileage Charges (Cont'd)

(k) Example 4: Originating Switched Access - The Telephone Company owns only the End Office (Cont'd) (See Diagram 4)

Telephone Company A charges are:

End Office charges = 9,000 min. x EO rate

Tandem Switched Facility charge = 9,000 min. x 23 mi. x TSF rate x 80%

Tandem Switched Termination charge = 1 termination x 9,000 min. x TST rate

(N)

(N)

(TR89)

ACCESS SERVICE

2. General Regulations

2.2 Payment Arrangements and Credit Allowances

2.2.1 Access Services Provided By More Than One Telephone Company

(A) Meet Point Billing

(1) Determination of Meet Point Billed Local Transport and Channel Mileage Charges (Cont'd)

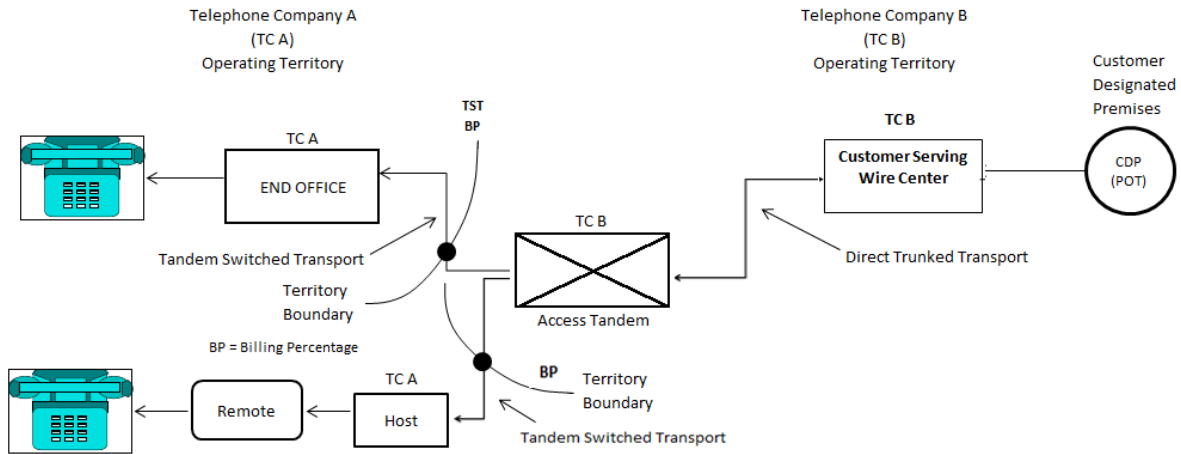
(1) Example 5: Terminating Switched Access - Tandem 3rd Party (See Diagram 5)

Feature Group D Switched Access is ordered to End Office

End Office is owned by The Telephone Company (TC-A)

Access Tandem is not owned by The Telephone Company (TC-B)

Diagram 5



(N)

(N)

(TR89)

ACCESS SERVICE

2. General Regulations

2.2 Payment Arrangements and Credit Allowances

2.2.1 Access Services Provided By More Than One Telephone Company

(A) Meet Point Billing

(1) Determination of Meet Point Billed Local Transport and Channel Mileage Charges (Cont'd)

(1) Example 5: Terminating Switched Access - Tandem 3rd Party (Cont'd) (See Diagram 5)

Telephone Company A charges are:

End Office charges = 9,000 min. x EO rate

Tandem Switched Facility charge = 9,000 min. x 23 mi. x TSF 3rd Party rate x 80%

Tandem Switched Termination charge = 1 termination x 9,000 min. x TST 3rd Party rate

(N)

(N)

(TR89)

ACCESS SERVICE

3. Federal Universal Service Charge, ISDN Line Ports and DS1 Line Port

Regulations, Terms and Conditions for Federal Universal Service Charge, ISDN Line Ports, and DS1 Line Port are the same as those set forth in Section 3 of the National Exchange Carrier Association Tariff F.C.C. No. 5, except as set forth following:

The MLB EUCL FUSC Surcharge Factor applies as noted in Section 17 following.

(TR103)

Issued: December 17, 2019

Effective: January 1, 2020

ACCESS SERVICE

4. End User Access Service

Regulations, Terms and Conditions for End User Access Service are the same as those set forth in Section 4 of the National Exchange Carrier Association Tariff F.C.C. No. 5.

ACCESS SERVICE

5. Access Ordering

Regulations, Terms and Conditions for Access Ordering are the same as those set forth in Section 5 of the National Exchange Carrier Association Tariff F.C.C. No. 5, except as set forth following:

References to Directory Assistance service are not applicable as the service is not offered.

References to Special Access services for Metallic, Telegraph Grade, Program Audio and Video Access are not applicable as the service is not offered.

References to Digital Subscriber Line Access Service are not applicable as the service is not offered.

References to Public Packet Data Network Services (i.e. Frame Relay Service, Asynchronous Transfer Mode Cell Relay Access Service, Ethernet Transport Service and Internet Protocol Gateway (IPG) Access Service) are not applicable as the service is not offered.

References to Mixed Use Facilities are not applicable as the Mixed Use pricing plan is not offered.

(N)
(N)

* New or revised page.

(TR122)

ACCESS SERVICE

6. Switched Access Service

6.1 Exceptions to National Exchange Carrier Association Tariff F.C.C. No.5

Regulations, Terms and Conditions for Switched Access Service are the same as those set forth in Section 6 of the National Exchange Carrier Association Tariff F.C.C. No. 5, except as set forth following:

References to Directory Assistance are not applicable as the service is not offered.

References to Abbreviated Dialing Arrangement (ADA) are not applicable as the service is not offered.

References to Public Packet Data Network Services (i.e. Frame Relay Service, Asynchronous Transfer Mode Cell Relay Access Service, Ethernet Transport Service and Internet Protocol Gateway (IPG) Access Service) are not applicable as the service is not offered.

Section 6.1.3(A) (3) relating to Tandem Switched Transport is replaced with the terms and conditions set forth in Section 6.2 below.

Section 6.4.6(H) relating to Mileage Measurement for Feature Groups B, C, and D Remote Offices is replaced with terms and conditions set forth in Section 6.3 below.

References to Mixed Use Facilities are not applicable as the Mixed Use pricing plan is not offered.

(N)
(N)

* New or revised page.

(TR122)

ACCESS SERVICE

6. Switched Access Service

6.2 General

6.2.1 Rate Categories

(A) Local Transport

(1) Tandem Switched Transport

The Tandem Switched Transport rate elements recover a portion of the costs associated with the communications path between the tandem and the end office on circuits that are switched at a tandem switch, or between a host and remote switch. For examples of Tandem Switched Transport see Section 2.2.1 preceding.

Tandem Switched Transport rates consist of a Tandem Switching rate, a Tandem Switched Facility rate, a Tandem Switched Termination rate and a Tandem-Switched Multiplexing rate which will apply whether The Telephone Company owns the access tandem or not.

The Tandem Switching rate recovers a portion of the costs of switching traffic through an access tandem. The Tandem Switching rate specified in 17.2.2 following is applied on a per access minute per tandem basis for all originating and all terminating minutes of use switched at the tandem. Tandem locations are identified in NATIONAL EXCHANGE CARRIER ASSOCIATION, INC. TARIFF F.C.C. NO. 4, WIRE CENTER INFORMATION.

The Tandem Switched Facility rate recovers a portion of the costs of the transmission facilities, including intermediate transmission circuit equipment, between the end points of the interoffice circuits. The Tandem Switched Facility rate specified in 17.2.2 following is applied on a per access minute per mile basis for all originating and terminating minutes of use routed over the facility.

(N)

(N)

(TR89)

ACCESS SERVICE

6. Switched Access Service

6.2 General (Cont'd)

6.2.1 Rate Categories (Cont'd)

(A) Local Transport (Cont'd)

(1) Tandem Switched Transport (Cont'd)

The Tandem Switched Termination rate recovers a portion of the costs of the circuit equipment that is necessary for the termination of each end of the Tandem Switched Facility. The Tandem Switched Termination rate specified in 17.2.2 following is applied on a per access minute basis (for all originating and terminating minutes of use routed over the facility) at each end of each measured segment of Tandem Switched Facility (e.g., at the end office, Feature Group A dial tone office, host office, remote office, tandem, and serving wire center). When the Tandem Switched Facility mileage is zero, neither the Tandem Switched Facility rate nor the Tandem Switched Termination rate will apply.

The Tandem-Switched Multiplexing charge recovers the cost of multiplexing equipment on the end office side of the tandem switch and the trunk side of the end office. The Tandem-Switched Multiplexing charge specified in 17.2.2 following is a per-minute charge assessed to the customer purchasing common transport on the end office-to-tandem link.

Charges for Tandem Direct Trunk Ports, located on the serving wire center side of the Access Tandem, and/or End Office Direct Trunk Ports, located on the serving wire center side of the end office, recover costs to terminate direct trunks. Tandem Direct Trunk Ports and/or End Office Direct Trunk Ports are a flat-rate monthly charge as specified in 17.2.2 following assessed to the customer purchasing the dedicated trunk terminated at that port.

(N)

(N)

(TR89)

ACCESS SERVICE

7. Special Access Service

Regulations, Terms and Conditions for Special Access Service are the same as those set forth in Section 7 of the National Exchange Carrier Association Tariff F.C.C. No. 5, except as set forth following:

References to Special Access services for Metallic, Telegraph Grade, Program Audio and Video Access are not applicable as the service is not offered.

References to Mixed Use Facilities are not applicable as the Mixed Use pricing plan is not offered.

(N)

7.1 Non-competitive Wire Center Listing

<u>Wire Center</u>	<u>OCN</u>	<u>STATE</u>	<u>County</u>
BLKLGAXA	0364	GA	EARLY
CDSFGAXA	0364	GA	EARLY
GRDNGAXA	0395	GA	WILKINSON
IRTNGAXA	0395	GA	WILKINSON
TMBOGAXA	0395	GA	WILKINSON

* New or revised page.

(TR122)

Issued: November 3, 2023

Effective: November 18, 2023

4005 N Rodney Parham Road
Little Rock, Arkansas 72212

ACCESS SERVICE

8. Digital Subscriber Line Access Services

Digital Subscriber Line Access Services are not offered under this tariff. Accordingly, the Regulations, Terms and Conditions set forth in Section 8 of the National Exchange Carrier Association Tariff F.C.C. No. 5 do not apply.

ACCESS SERVICE

9. Directory Assistance Service

Directory Assistance Service is not offered under this tariff. Accordingly, the Regulations, Terms and Conditions set forth in Section 9 of the National Exchange Carrier Association Tariff F.C.C. No. 5 do not apply.

ACCESS SERVICE

10. Special Federal Government Access Services

Regulations, Terms and Conditions for Special Federal Government Access Services are the same as those set forth in Section 10 of the National Exchange Carrier Association Tariff F.C.C. No. 5.

ACCESS SERVICE

11. Special Facilities Routing of Access Services

Regulations, Terms and Conditions for Special Facilities Routing of Access Services are the same as those set forth in Section 11 of the National Exchange Carrier Association Tariff F.C.C. No. 5.

ACCESS SERVICE

12. Specialized Service or Arrangements

Regulations, Terms and Conditions for Specialized Service or Arrangements are the same as those set forth in Section 12 of the National Exchange Carrier Association Tariff F.C.C. No. 5.

ACCESS SERVICE

13. Additional Engineering, Additional Labor and Miscellaneous Services

Regulations, Terms and Conditions for Additional Engineering, Additional Labor and Miscellaneous Services are the same as those set forth in Section 13 of the National Exchange Carrier Association Tariff F.C.C. No. 5.

ACCESS SERVICE

14. Exceptions to Access Service Offerings

Regulations, Terms and Conditions for Exceptions to Access Service Offerings are the same as those set forth in Section 14 of the National Exchange Carrier Association Tariff F.C.C. No. 5.

ACCESS SERVICE

15. Access Service Interfaces and Transmission Specifications

Regulations, Terms and Conditions for Access Service Interfaces and Transmission Specifications are the same as those set forth in Section 15 of the National Exchange Carrier Association Tariff F.C.C. No. 5.

ACCESS SERVICE

16. Public Packet Data Network

Public Packet Data Network Services are not offered under this tariff. Accordingly, the Regulations, Terms and Conditions set forth in Section 16 of the National Exchange Carrier Association Tariff F.C.C. No. 5 do not apply.

ACCESS SERVICE

17. Rates and Charges17.1 Common Line Access Service17.1.1 Reserved for Future Use17.1.2 End User Access Service(A) End User Common Line (EUCL) - Individual line or trunk, each

	<u>Rate</u> <u>Per Month</u>
- Residence & Single Line Business	
Windstream Accucomm	\$6.50
Windstream Georgia Telephone	\$6.50
Windstream Montezuma	\$6.50
Windstream Buffalo Valley	\$6.50
Windstream Conestoga	\$6.50
Windstream D&E	\$6.50
- Multiline Business	
Windstream Accucomm	\$9.20 (I)
Windstream Georgia Telephone	\$9.20
Windstream Montezuma	\$9.20 (I)
Windstream Buffalo Valley	\$9.20
Windstream Conestoga	\$9.20
Windstream D&E	\$9.20 (I)
- Non Primary	
Windstream Accucomm	\$6.50
Windstream Georgia Telephone	\$6.50
Windstream Montezuma	\$6.50
Windstream Buffalo Valley	\$6.50
Windstream Conestoga	\$6.50
Windstream D&E	\$6.50

(B) Access Recovery Charge (ARC)

	<u>Rate</u> <u>Per Month</u>
Residence, Non-Primary Residence and ISDN BRI	
- Individual line or trunk, each	\$2.50
Single Line Business	
- Individual line or trunk, each	\$2.50
Multi-Line Business, ISDN PRI and Centrex	
- Per Individual line or trunk	\$4.00

17.1.3 Reserved for Future Use

(TR 107)

ACCESS SERVICE

17. Rates and Charges (Cont'd)17.1 Common Line Access Service (Cont'd)17.1.4 Federal Universal Service Fee

	<u>Percentage</u>
- Revenue Surcharge Factor	
(A) Residential & Single Line Business	34.6% (I)
(B) Multiline Business	
- Windstream Georgia Telephone, Inc.	34.6% (I)

17.1.5 End User ISDN Port Charges

	<u>Rate Per Month</u>
- Rate per PRI	\$23.51
- Rate per BRI	\$2.23

(TR 123)

ACCESS SERVICE

17. Rates and Charges (Cont'd)17.2 Switched Access Service17.2.1 Nonrecurring Charges

(A) Local Transport - Installation Per Entrance Facility

Regulations concerning Local Transport-Installation are set forth in 6.4.1(B)(1) preceding.

Rates

- Voice Grade, Two Wire	\$450.00
- Voice Grade, Four Wire	\$450.00
- High Capacity, DS1	\$330.00
- High Capacity, DS3	\$445.00
- Synchronous Optical Channel, OC3	\$360.00
- Synchronous Optical Channel, OC12	\$360.00

(B) Multiplexing - Installation Per Arrangement

- High Capacity, DS1 to Voice	\$800.00
- High Capacity, DS3 to DS1	\$450.00

(C) Interim NXX Translation

- Per Order	\$220.00
-------------	----------

(D) Common Channel Signaling Network Connection - Installation

- Per Entrance Facility	\$390.00
-------------------------	----------

(TR57)

Issued: July 17, 2012

Effective: August 1, 2012

4001 Rodney Parham Road
Little Rock, Arkansas 72212

ACCESS SERVICE

17. Rates and Charges (Cont'd)17.2 Switched Access Service (Cont'd)17.2.2 Local Transport(A) Local Transport

Regulations concerning Local Transport are set forth in 6.1.3(A) preceding.

Premium AccessEntrance Facility Per Termination, per month

	<u>Rates</u>
- Voice Grade, Two Wire	\$ 39.20
- Voice Grade, Four Wire	\$ 62.72
- High Capacity, DS1	\$ 191.09
- High Capacity, DS3	\$1744.81
- Synchronous Optical Channel, OC3	\$1779.19
- Synchronous Optical Channel, OC12	\$1899.60

Direct Trunked Transport

	<u>Direct Trunked Facility per Mile</u>	<u>Direct Trunked Termination per Termination</u>
- Voice Grade	\$2.79	\$28.06
- High Capacity DS1	\$13.09	\$67.93
- High Capacity DS3	\$114.05	\$436.19
- Synchronous Optical Channel OC3	\$122.08	\$454.17
- Synchronous Optical Channel OC12	\$153.23	\$988.87

Multiplexing Per Arrangement, Per month

	<u>Rates</u>
- High Capacity, DS1 to Voice	\$153.65
- High Capacity, DS3 to DS1	\$397.98

(TR57)

ACCESS SERVICE

17. Rates and Charges (Cont'd)17.2 Switched Access Service (Cont'd)17.2.2 Local Transport(A) Local Transport (Cont'd)Premium Access (Cont'd)Tandem Switched Transport

Rate

Tandem Switched Facility

Per Access Minute per Mile

Originating

Non-8YY Traffic

\$0.000188

(C)

8YY Traffic

*

(C)

Terminating - 3rd Party

\$0.000188

Terminating - End Office

\$0.000000

Tandem Switched Termination

Per Access Minute per Termination

Originating

Non-8YY Traffic

\$0.000979

(C)

8YY Traffic

*

(C)

Terminating - 3rd Party

\$0.000979

Terminating - End Office

\$0.000000

Tandem Switching

Per Access Minute per Tandem

Originating

Non-8YY Traffic

\$0.002468

(C)

8YY Traffic

\$0.001000 (R)

(C)

Terminating - 3rd Party

\$0.002468

Terminating - End Office

Windstream Buffalo Valley

\$0.000000

Windstream Montezuma

\$0.000000

Windstream Accucomm Telecommunications

\$0.000000

Windstream Georgia Telephone

\$0.000000

Windstream Conestoga

\$0.000000

Windstream D&E

\$0.000000

* Included in Tandem Switching rate.

(N)

(TR 110)

ACCESS SERVICE

17. Rates and Charges (Cont'd)17.2 Switched Access Service (Cont'd)17.2.2 Local Transport(A) Local Transport (Cont'd)Premium Access (Cont'd)

	<u>Monthly Rates</u>	<u>Nonrecurring Charge</u>
<u>Customer Node Per Node</u>		
- OC3	\$413.13	\$640.00
- OC12	\$1193.51	\$640.00

Customer Premises Port Per Port

- DS1	\$ 41.72	\$640.00
- DS3	\$162.76	\$640.00
- OC3	\$4135.56	None

Add/Drop Multiplexing Per Port

- DS1	\$ 33.38
- DS3	\$ 83.46
- OC3	\$135.56

(B) Common Channel Signaling Network Connection

- Entrance Facility Per Facility, per month	\$72.34
- Signaling Mileage Facility Per Mile	\$3.76
- Signaling Mileage Termination Per Termination	\$37.77
- STP Port, Per Port	\$372.79

(TR57)

Issued: July 17, 2012

Effective: August 1, 2012

4001 Rodney Parham Road
Little Rock, Arkansas 72212

ACCESS SERVICE

17. Rates and Charges (Cont'd)17.2 Switched Access Service (Cont'd)17.2.2 Local Transport (Cont'd)

	<u>Nonrecurring Charge</u>	
(C) <u>Network Blocking Per Blocked Call</u>	\$0.0153	
(D) <u>FGC and FGD SS7\MF Signaling Trunk Group Conversion Charge</u>		
- All Issuing Carriers	\$221.00	
(E) <u>Trunk Activation Per Order</u>		
- Per 24 Trunks Activated or Fraction thereof, on a Per Order Basis	\$229.50	
(F) <u>800/888/877 Data Base Access Service Queries</u>		
- Per Completed Query, Basic and Enhanced	\$0.004248 (R)	(C)
Effective July 1, 2022 - June 30, 2023	\$0.002224 (R)	
Effective on and after July 1, 2023	\$0.000200 (R)	(C)

(TR 110)

Issued: June 16, 2021

Effective: July 1, 2021

4001 Rodney Parham Road
Little Rock, Arkansas 72212

ACCESS SERVICE

17. Rates and Charges (Cont'd)17.2 Switched Access Service (Cont'd)17.2.3 End Office(A) Local Switching(1) Premium Rates

- (a) LS1 - Originating and Terminating access minutes for Feature Groups A & B except:

Feature Group B utilized for the provision of MTS/WATS service.

Feature Groups A and B when utilized for the provision of terminating inward WATS and WATS-type services at an equal access WATS Serving Office.

<u>Filing Entity</u>	<u>Rate per Originating Access Minute</u>		<u>Rate Per Terminating Access Minute</u>	
	<u>8YY</u>	<u>Non-8YY</u>		
All Issuing Carriers	\$0.008411	\$0.008411	\$0.0000	(C)
July 1, 2022 - June 30, 2023	\$0.0042055 (R)			
On and after July 1, 2023	\$0.0000000 (R)			(C)

- (b) LS2 - Originating and Terminating access minutes for Feature Groups C & D including:

Feature Group B utilized for the provision of MTS/WATS service.

Feature Groups A and B when utilized for the provision of terminating inward WATS and WATS-type services at an equal access WATS Serving Office.

<u>Filing Entity</u>	<u>Rate per Originating Access Minute</u>		<u>Rate Per Terminating Access Minute</u>	
	<u>8YY</u>	<u>Non-8YY</u>		
All Issuing Carriers	\$0.008411	\$0.008411	\$0.0000	(C)
July 1, 2022 - June 30, 2023	\$0.0042055 (R)			
On and after July 1, 2023	\$0.0000000 (R)			(C)

(2) Non-Premium Rates

<u>Filing Entity</u>	<u>Rate per Originating Access Minute</u>		<u>Rate Per Terminating Access Minute</u>	
	<u>8YY</u>	<u>Non-8YY</u>		
All Issuing Carriers	\$0.003785	\$0.003785	\$0.000000	(C)
July 1, 2022 - June 30, 2023	\$0.0018925 (R)			
On and after July 1, 2023	\$0.0000000 (R)			(C)

(TR 110)

ACCESS SERVICE

17. Rates and Charges (Cont'd)
 17.2 Switched Access Service (Cont'd)
 17.2.3 End Office (Cont'd)

(B) Information Surcharge

The Information Surcharge is applied per 100 Access Minutes.

<u>Filing Entity</u>	<u>Premium Rate Per 100 Access Minutes</u>	<u>Non-Premium Rate Per 100 Access Minutes</u>
All Issuing Carriers - Originating	\$	
Non-8YY Traffic	0.0494	\$ 0.0222
8YY Traffic	0.0494	\$ 0.0222
Effective July 1, 2022 - June 30, 2023	0.0247 (R)	\$ 0.0111 (R)
On and after July 1, 2023	0.000 (R)	\$ 0.0000 (R)
All Issuing Carriers - Terminating	\$ 0.0000	\$ 0.0000

(TR 110)

Issued: June 16, 2021

Effective: July 1, 2021

4001 Rodney Parham Road
 Little Rock, Arkansas 72212

ACCESS SERVICE

17. Rates and Charges (Cont'd)

17.2 Switched Access Service (Cont'd)

17.2.4 Operator Transfer Service

Rate

- Per Call Transferred

\$0.4588

(TR57)

Issued: July 17, 2012

4001 Rodney Parham Road
Little Rock, Arkansas 72212

Effective: August 1, 2012

ACCESS SERVICE

17. Rates and Charges (Cont'd)17.2 Switched Access Service (Cont'd)17.2.5 Assumed Minutes of Use

Assumed minutes of use are applicable to all issuing carriers referencing Section 6 of this tariff.

	<u>Assumed Minutes Per Month</u>	<u>Tariff Section Reference</u>
(A) Feature Group A, Two Way Calling (1,510 Originating, 2,685 Terminating)	4,195	6.5.4
(B) Feature Group A, Originating Only	1,510	6.5.4
(C) Feature Group A, Terminating Only	2,685	6.5.4
(D) Feature Group B, Two Way Calling (3,132 Originating, 5,568 Terminating)	8,700	6.6.4
(E) Feature Group B, Originating Only	3,132	6.6.4
(F) Feature Group B, Terminating Only	5,568	6.6.4

(TR57)

Issued: July 17, 2012

Effective: August 1, 2012

4001 Rodney Parham Road
Little Rock, Arkansas 72212

ACCESS SERVICE

- 17. Rates and Charges (Cont'd)
- 17.3 Special Access Service
- 17.3.1 Surcharge for Special Access Service

	<u>Monthly Rate</u>	<u>Tariff Section Reference</u>
- Per Voice Grade Equivalent	\$25.00	7.3

(TR57)

Issued: July 17, 2012

Effective: August 1, 2012

4001 Rodney Parham Road
Little Rock, Arkansas 72212

ACCESS SERVICE

17. Rates and Charges (Cont'd)17.3 Special Access Service (Cont'd)17.3.2 Voice Grade Service

Regulations concerning Voice Grade Service are set forth in 7.6 preceding.

(A) Channel Termination Per Termination

<u>Filing Entity</u>	<u>Monthly Rate</u>	<u>Nonrecurring Charge</u>
(1) Two-Wire		
Windstream Georgia Accucomm	\$ 34.03	\$ 450.00
Windstream Georgia Telephone	\$ 33.84 (R)	\$ 450.00
(2) Four-Wire		
Windstream Georgia Accucomm	\$ 54.27 (R)	\$ 450.00
Windstream Georgia Telephone	\$ 54.44	\$ 450.00

(B) Channel Mileage

<u>Filing Entity</u>	<u>Facility Per Mile</u>	<u>Termination Per Termination</u>
All Issuing Carriers	\$ 2.37	\$ 24.36

(C) Optional Features and Functions

	<u>Monthly Rate</u>
(1) Bridging Per Port	
- Voice Two-Wire/Four-Wire	\$4.54
- Data Two-Wire/Four-Wire	\$4.54
- Telephoto Two-Wire/Four-Wire	\$4.54
(2) Conditioning Per Termination	
- C-Type	\$7.08
- D-Type (Data Capability)	\$6.29
- Telephoto Capability	\$6.30
(3) Improved Return Loss for Effective Two-Wire or Four-Wire Transmission. Rate applied per Channel Termination.	\$10.11
(4) Customer Specified Receive Level per Two-Wire Termination.	\$7.50

(TR96)

Issued: June 18, 2018

Effective: July 3, 2018

Vice President - Tariffs
4001 Rodney Parham Road
Little Rock, Arkansas 72212

ACCESS SERVICE

17. Rates and Charges (Cont'd)17.3 Special Access Service (Cont'd)17.3.2 Voice Grade Service (Cont'd)(C) Optional Features and Functions (Cont'd)

	<u>Monthly Rate</u>
(5) Signaling Capability per Termination.	\$16.19
(6) Selective Signaling Arrangement per Arrangement.	\$4.54
(7) Transfer Arrangement	
- per four port Arrangement.	\$2.18
- per five port Arrangement.	\$4.99
(8) Telemetry & Alarm Bridging, Active, Split Band	\$7.23
(9) Telemetry & Alarm Bridging, Active, Summation	\$2.83
(10) Telemetry & Alarm Bridging, Passive	\$0.20
(11) DATAPHONE Select-A-Station Bridging	
Sequential Arrangement, Ports per Channel Connected	
- Two Wire	\$15.48
- Four Wire	\$82.09

(TR57)

Issued: July 17, 2012

Effective: August 1, 2012

4001 Rodney Parham Road
Little Rock, Arkansas 72212

ACCESS SERVICE

17. Rates and Charges (Cont'd)

17.3 Special Access Service (Cont'd)

17.3.3 Digital Data Service

Regulations concerning Digital Data Service are set forth in 7.9 preceding.

(A) Channel Termination Per Termination

Windstream Georgia Accucomm

	<u>Monthly Rate</u>	<u>Nonrecurring Charge</u>
(1) 2.4 Kbps	\$58.77 (R)	\$390.00
(2) 4.8 Kbps	\$58.77 (R)	\$390.00
(3) 9.6 Kbps	\$58.77 (R)	\$390.00
(4) 19.2 Kbps	\$58.77 (R)	\$390.00
(5) 56.0 Kbps	\$58.96	\$390.00
(6) 64.0 Kbps	\$58.96	\$390.00

Windstream Georgia Telephone

	<u>Monthly Rate</u>	<u>Nonrecurring Charge</u>
(1) 2.4 Kbps	\$58.96	\$390.00
(2) 4.8 Kbps	\$58.96	\$390.00
(3) 9.6 Kbps	\$58.96	\$390.00
(4) 19.2 Kbps	\$58.96	\$390.00
(5) 56.0 Kbps	\$58.61 (R)	\$390.00
(6) 64.0 Kbps	\$58.69	\$390.00

(D)
 |
 |
 |
 |
 |
 (D)

(TR96)

ACCESS SERVICE

17. Rates and Charges (Cont'd)17.3 Special Access Service (Cont'd)17.3.3 Digital Data Service (Cont'd)(C) Optional Features and Functions

	<u>Monthly Rate</u>
(1) Bridging per port	\$6.50
(2) Loop Transfer Arrangement Per four port arrangement* Key activated** or Dial-Up***	\$4.34

(D) Channel Service Unit

	2.4 <u>Kbps</u>	4.8, 9.6, 19.2 <u>Kbps</u>	56.0 <u>Kbps</u>
- Per Termination	\$21.66	\$21.66	\$21.66

* An additional channel termination charge will apply whenever a spare channel is configured as a leg to a customer designated premises. Additional channel Mileage charges will also apply when the transfer arrangement is not located in the customer designated premises serving wire center.

** The key activated control channel is rated as a Telegraph Channel Termination and Channel Mileage, if applicable.

*** The Dial-Up option requires the customer to purchase the Controller Arrangement from 13.3.4 preceding

(TR57)

Issued: July 17, 2012

Effective: August 1, 2012

4001 Rodney Parham Road
Little Rock, Arkansas 72212

ACCESS SERVICE

17. Rates and Charges (Cont'd)17.3 Special Access Service (Cont'd)17.3.4 High Capacity Service(A) Channel Termination Per Termination

		<u>Monthly Rate</u>	<u>Nonrecurring Charge</u>
(1)	1.544 Mbps		
	Windstream Georgia Accucomm	\$166.00 (R)	\$330.00
	Windstream Georgia Telephone	\$166.18 (R)	\$330.00
(2)	44.736 Mbps		
	Windstream Georgia Accucomm	\$1303.81	\$4450.00
	Windstream Georgia Telephone	\$1309.00	\$4450.00

(B) Channel Mileage

		<u>Facility Per Mile</u>	<u>Termination Per Termination</u>
(1)	64.0 Kbps	\$3.26	\$32.78

(TR111)

ACCESS SERVICE

17. Rates and Charges (Cont'd)

17.3 Special Access Service (Cont'd)

17.3.4 High Capacity Service (Cont'd)

(C) Optional Features and Functions

		<u>Monthly Rate</u>			
		Up to 20 2.4 <u>Kbps</u>	Up to 10 4.8 <u>Kbps</u>	Up to 5 9.6 <u>Kbps</u>	
	(e) DS0 to Subrates	\$326.41	\$221.80	\$196.67	
			<u>Monthly Rate</u>	<u>Nonrecurring Charge</u>	
(2)	Automatic Loop Transfer - Per arrangement		\$110.19		

(D)
|
|
|
|
(D)

(D)
(D)

(TR93)

Issued: November 16, 2017

Effective: December 1, 2017

Vice President - Tariffs
 4001 Rodney Parham Rd.
 Little Rock, Arkansas 72212

ACCESS SERVICE

17. Rates and Charges (Cont'd)17.3 Special Access Service (Cont'd)17.3.4 High Capacity Service (Cont'd)(C) Optional Features and Functions (Cont'd)

	<u>Monthly Rate</u>									
(4) Transfer Arrangement (key activated** or dial up***) - Per four port arrangement including control channel termination****	\$120.10									
(D) <u>DSL Access Service Connection</u>										
	<table> <thead> <tr> <th></th> <th style="text-align: right;"><u>Monthly Rate</u></th> <th style="text-align: right;"><u>Nonrecurring Charge</u></th> </tr> </thead> <tbody> <tr> <td>- Per DS1 (1.544 mbps)</td> <td style="text-align: right;">\$175.47</td> <td style="text-align: right;">\$450.00</td> </tr> <tr> <td>- Per DS3 (44.736 mbps)</td> <td style="text-align: right;">\$1218.60</td> <td style="text-align: right;">\$650.00</td> </tr> </tbody> </table>		<u>Monthly Rate</u>	<u>Nonrecurring Charge</u>	- Per DS1 (1.544 mbps)	\$175.47	\$450.00	- Per DS3 (44.736 mbps)	\$1218.60	\$650.00
	<u>Monthly Rate</u>	<u>Nonrecurring Charge</u>								
- Per DS1 (1.544 mbps)	\$175.47	\$450.00								
- Per DS3 (44.736 mbps)	\$1218.60	\$650.00								

** The key activated control channel is rated as a Telegraph Channel Termination and Channel Mileage, if applicable.

*** The Dial-Up option requires the customer to purchase the Controller Arrangement from 13.3.4 preceding.

**** An additional Channel Termination charge will apply whenever a spare channel is configured as a leg to the customer designated premises. Additional channel mileage charges will also apply when the transfer arrangement is not located in the customer designated premises serving wire center.

ACCESS SERVICE

17. Rates and Charges (Cont'd)

17.3 Special Access Service (Cont'd)

17.3.5 Service Discount Plans

a) High Capacity 1.544 Mbps (DS1)

Plan Length

36 Months

60 Months

Discount %

10%

20%

b) High Capacity 44.736 Mbps (DS3)

Plan Length

36 Months

60 Months

Discount %

10%

20%

(D)
|
|
|
|
|
|
|
(D)

(TR93)

Issued: November 16, 2017

Effective: December 1, 2017

Vice President - Tariffs
4001 Rodney Parham Rd.
Little Rock, Arkansas 72212

ACCESS SERVICE

17. Rates and Charges (Cont'd)17.4 Other Services17.4.1 Access Ordering

	<u>Charge</u>
(A) <u>Access Order Charge</u>	
- Per Order	\$86.00
(B) <u>Service Date Change Charge</u>	
- Per Order, Per Occurrence	\$60.00
(C) <u>Design Change Charge</u>	
- Per Order, Per Occurrence	\$84.00
(D) <u>Miscellaneous Service Order Charge</u>	
- Per Order, Per Occurrence	\$123.00

17.4.2 Additional Engineering

	<u>Basic Time</u>	<u>Over Time*</u>	<u>Premium Time*</u>
- Each Half Hour or Fraction Thereof	\$31.03	\$46.55	\$62.06

17.4.3 Additional Labor(A) Installation or Repair and Stand By Testing

	<u>Basic Time</u>	<u>Over Time*</u>	<u>Premium Time*</u>
- Each Half Hour or Fraction Thereof	\$----	\$47.57	\$63.42

(B) Stand By

	<u>Basic Time</u>	<u>Over Time*</u>	<u>Premium Time*</u>
- Each Half Hour or Fraction Thereof	\$21.18	\$31.77	\$42.36

* A call out to a Telephone Company employee at a time not consecutive with the employee's scheduled work period is subject to a minimum charge of four hours.

(TR57)

Issued: July 17, 2012

Effective: August 1, 2012

4001 Rodney Parham Road
Little Rock, AR 72212

ACCESS SERVICE

17. Rates and Charges (Cont'd)17.4 Other Services (Cont'd)17.4.4 Miscellaneous Services

Regulations regarding Miscellaneous Services are set forth in 13.3 preceding.

(A) Testing and Maintenance of Service - I&R Technician

	<u>Basic Time</u>	<u>Over Time*</u>	<u>Premium Time*</u>
- Each Half Hour or Fraction Thereof	\$31.71	\$47.57	\$63.42

(B) Testing and Maintenance of Service - CO Technician

	<u>Basic Time</u>	<u>Over Time*</u>	<u>Premium Time*</u>
- Each Half Hour or Fraction Thereof	\$34.66	\$51.99	\$69.32

(C) Additional Testing

	<u>Rate</u>
(1) Automatic Schedule Testing	
(a) Basic Offering to First Point of Switching	
- Per Transmission Path - per Month	\$2.89
(2) Additional Cooperative Schedule Testing	
(a) Basic Offering to First Point of Switching	
- Per Transmission Path - per Month	\$2.89
(b) Gain Slope to First Point of Switching	
- Per Transmission Path - per Month	\$2.89
(3) Additional Manual Schedule Testing	
(a) Basic Offering to First Point of Switching	
- Per Transmission Path - per Month	\$2.89
(b) Gain Slope to First Point of Switching	
- Per Transmission Path - per Month	\$2.89

(TR57)

Issued: July 17, 2012

Effective: August 1, 2012

4001 Rodney Parham Road
Little Rock, AR 72212

ACCESS SERVICE

- 17. Rates and Charges (Cont'd)
- 17.4 Other Services (Cont'd)
- 17.4.4 Miscellaneous Services (Cont'd)

(C) Telecommunications Service Priority

- Per service arranged

<u>Filing Entity</u>	<u>Nonrecurring Charge</u>	<u>Monthly Rate</u>	(T)
Windstream Buffalo Valley	\$54.38 (R)		
Windstream Conestoga	\$54.23 (R)		
Windstream D&E	\$54.24 (R)		
Windstream Montezuma	\$54.63		
Windstream Georgia Accucomm	\$54.63		
Windstream Georgia Telephone	\$54.63		(T)

(D) Controller Arrangement

- Per arrangement 100.00

(E) Presubscription*

<u>Filing Entity</u>	<u>InterLATA Only PIC Change Electronic/Manual#</u>	<u>Simultaneous InterLATA and IntraLATA PIC Change** Electronic/Manual#</u>
All Issuing Carriers	\$1.25/\$5.50	\$0.63/\$2.75

* This charge is billed to the end user who is the subscriber to the Telephone Exchange Service. In the event an end user is incorrectly presubscribed due to misassignment on the on the part of the Telephone company, no charge shall apply. In the event an end user is incorrectly presubscribed to misassignment on the part of the IC, and the IC is unable to document such an assignment, the Telephone Company will apply the charge to the IC responsible for the misassignment of the end user and assign the end user to an IC of the end user's choice.

** This charge applies only to the interLATA PIC. The intraLATA PIC will be billed out of the appropriate Intrastate Access Tariff.

As used above, manual methods are (1) personal interaction between a customer, or a person acting on behalf of a customer, and a Telephone Company employee; and (2) any facsimile or written submissions from a customer, or a person acting on behalf of a customer, to a Telephone Company service center. Electronic methods shall include all other methods. If a request utilizing an electronic method results in manual processing, the electronic nonrecurring charge shall apply upon completion of the request.

(TR110)

ACCESS SERVICE

17. Rates and Charges (Cont'd)
 17.4 Other Services (Cont'd)
 17.4.4 Miscellaneous Services (Cont'd)

<u>Filing Entity</u>	<u>Nonrecurring Charge</u>
(F) <u>Unauthorized PIC Changes</u>	
Charge is applied per Telephone Exchange Service Line or Trunk*.	
- All Issuing Carriers	\$ 30.00
(G) <u>Billing Name and Address Service (BNA)</u>	
- Per BNA Order	\$ 50.94
- Per BNA Record	\$ 0.33
- Optional Magnetic Tape Charge Per Magnetic Tape	\$ 91.44
- Optional Format Programming Charge Per each half hour or fraction thereof	\$ 37.20

* This charge is billed to the end user who is the subscriber to the Telephone Exchange Service. In the event an end user is incorrectly presubscribed due to misassignment on the on the part of the Telephone company, no charge shall apply. In the event an end user is incorrectly presubscribed to misassignment on the part of the IC, and the IC is unable to document such an assignment, the Telephone Company will apply the charge to the IC responsible for the misassignment of the end user and assign the end user to an IC of the end user's choice.

(TR57)

Issued: July 17, 2012

Effective: August 1, 2012

4001 Rodney Parham Road
Little Rock, AR 72212

ACCESS SERVICE

17. Rates and Charges (Cont'd)17.4 Other Services (Cont'd)17.4.4 Miscellaneous Services (Cont'd)

	<u>Monthly Rate</u>	<u>Nonrecurring Charge</u>
(H) <u>Originating Line Screening (OLS)</u>		
- Per Exchange Line		\$7.95
(I) <u>Coin Supervision Additive Service</u>		
- Per exchange service line	\$2.21	
(K) <u>Blocking Service</u>		
- per exchange service line, or trunk And/or per Feature Group A Switched Access Line	\$11.20	
(M) <u>Local Number Portability (LNP) Query Service</u>		

The Telephone Companies listed below offer Local Number Portability Query Service.

<u>Company Name</u>	<u>State</u>	<u>Study Area Number</u>	<u>Rate Per Query</u>
Windstream Accucomm Telecommunications, Inc.	GA	220395	\$ 0.00429
Windstream Georgia Telephone, LLC	GA	220364	\$ 0.00429

(TR57)

Issued: July 17, 2012

Effective: August 1, 2012

4001 Rodney Parham Road
Little Rock, AR 72212

ACCESS SERVICE

17. Rates and Charges (Cont'd)17.4 Other Services (Cont'd)17.4.5 Special Federal Government Access Services(A) Voice Grade Special Access Service

<u>Voice Grade Secure Communications</u>	<u>Monthly Rates</u>	<u>Nonrecurring Charges</u>	<u>Termination Charges</u>
Type I, each T-3 Conditioning,			ICB rates and charges apply
Additional Conditioning, per service termination			ICB rates and charges apply
Type II, each G-1 Conditioning,			ICB rates and charges apply
Type III, each G-2 Conditioning,			ICB rates and charges apply
Additional Conditioning, per service termination			ICB rates and charges apply
Type IV, each G-3 Conditioning,			ICB rates and charges apply
Additional Conditioning, per service termination			ICB rates and charges apply

(B) Wideband Digital Special Access Service

<u>Wideband Secure Communications</u>	<u>Monthly Rates</u>	<u>Nonrecurring Charges</u>	<u>Termination Charges</u>
Type I, each			ICB rates and charges apply
Type II, each			ICB rates and charges apply
Type III, each			ICB rates and charges apply

(TR57)

ACCESS SERVICE

- 17. Rates and Charges (Cont'd)
- 17.4 Other Services (Cont'd)
- 17.4.6 Special Facilities Routing of Access Services
 - (A) Diversity
ICB
 - (B) Avoidance
ICB
 - (C) Diversity and Avoidance Combined
ICB
 - (D) Cable-Only Facilities
ICB
- 17.4.7 Specialized Service or Arrangements
ICB

(TR57)