

WINDSTREAM ILEC
INTERSTATE
BUSINESS DATA
SERVICES
GUIDEBOOK

Effective: March 20, 2023

4001 Rodney Parham Rd.
Little Rock, Arkansas 72212

<u>PARTICIPATING CARRIERS</u>	Title 1
<u>EXPLANATION OF SYMBOLS</u>	10
<u>EXPLANATION OF ABBREVIATIONS</u>	10
1. <u>APPLICATION OF GUIDEBOOK</u>	1-1
2. <u>GENERAL REGULATIONS</u>	2-1
2.1.1 Scope	2-1
2.1.2 Limitations	2-1
2.1.3 Liability	2-3
2.1.4 Provision of Services	2-5
2.1.5 Facility Terminations	2-6
2.1.6 Service Maintenance	2-7
2.1.7 Changes and Substitutions	2-7
2.1.8 Refusal and Discontinuance of Service	2-8
2.1.9 Notification of Service-Affecting Activities	2-10
2.1.10 Coordination with Respect to Network Contingencies	2-11
2.1.11 Provision and Ownership of Telephone Numbers	2-11
2.1.12 Preemption of Service	2-11
2.2 <u>Use</u>	2-12
2.2.1 Interference or Impairment	2-12
2.2.2 Unlawful and Abusive Use	2-12
2.3 <u>Obligations of the Customer</u>	2-13
2.3.1 Damages	2-13
2.3.2 Ownership of Facilities and Theft	2-13
2.3.3 Equipment Space and Power	2-13
2.3.4 Availability for Testing	2-14
2.3.5 Limitation of Use of Metallic Facilities	2-14
2.3.6 Balance	2-14
2.3.7 Design of Customer Services	2-14
2.3.8 References to the Telephone Company	2-14
2.3.9 Claims and Demands for Damages	2-15
2.3.10 Coordination with Respect to Network Contingencies	2-16
2.3.11 Jurisdictional Report and Certification Requirements	2-16
2.3.12 Determination of Interstate Charges for Mixed Interstate and Intrastate Access Service	2-17

TABLE OF CONTENTS

	<u>Page No.</u>
2.4 <u>Payment Arrangements and Credit Allowances</u>	2-18
2.4.1 Payments of Rates, Charges and Deposits	2-18
2.4.2 Minimum Periods	2-24
2.4.3 Cancellation of an Order for Service	2-25
2.4.4 Credit Allowance for Service Interruptions	2-25
2.4.5 Re-establishment of Service Following Fire, Flood or Other Occurrence	2-30
2.4.6 Title or Ownership Rights	2-30
2.4.7 Access Services Provided by More Than One Telephone Company	2-31
2.5 <u>Connections</u>	2-33
2.6 <u>Definitions</u>	2-34
3. <u>RESERVED FOR FUTURE USE</u>	3-1
4. <u>RESERVED FOR FUTURE USE</u>	4-1
5. <u>ACCESS ORDERING</u>	5-1
5.1 <u>General</u>	5-1
5.1.1 Service Installation	5-1
5.1.2 Expedited Orders	5-2
5.1.3 Selection of Facilities for Access Orders	5-2
5.1.4 Special Construction	5-2
5.2 <u>Ordering Requirements</u>	5-3
5.2.2 Special Access Service	5-3
5.2.4 Mixed Use Facilities - Switched and Special Access	5-4
5.2.5 Miscellaneous Services	5-4
5.2.6 Frame Relay Access Service	5-5
5.3 <u>Access Orders for Services Provided by More Than One Telephone Company</u>	5-6
5.3.1 Meet Point Billing Ordering	5-6
5.4 <u>Charges Associated with Access Ordering</u>	5-7
5.4.1 Access Order Charge	5-7
5.4.2 Miscellaneous Service Order Charge	5-8
5.4.3 Access Order Change Charges	5-9

 Effective: March 20, 2023

 4001 Rodney Parham Rd.
 Little Rock, Arkansas 72212

TABLE OF CONTENTS

	<u>Page No.</u>
5.5 <u>Minimum Periods and Cancellations</u>	5-11
5.5.1 Minimum Periods	5-11
5.5.2 Development of Minimum Period Charges	5-12
5.5.3 Cancellation of an Access Order	5-12
5.5.4 Partial Cancellation Charge	5-13
6. <u>RESERVED FOR FUTURE USE</u>	6-1
7. <u>SPECIAL ACCESS SERVICE</u>	7-1
7.1 <u>General</u>	7-1
7.1.1 Channel Types	7-1
7.1.2 Service Descriptions	7-4
7.1.3 Service Configurations	7-6
7.1.4 Alternate Use	7-12
7.1.5 Special Facilities Routing	7-12
7.1.6 Design Layout Report	7-12
7.1.7 Acceptance Testing	7-13
7.1.8 Ordering Options and Conditions	7-13
7.1.9 Competitive vs Non-competitive Wire Centers	7-13
7.2 <u>Rate Regulations</u>	7-15
7.2.1 Rate Categories	7-15
7.2.2 Types of Rates and Charges	7-19
7.2.3 Moves	7-22
7.2.4 Minimum Periods	7-22
7.2.5 Mileage Measurement	7-23
7.2.6 Facility Hubs	7-24
7.2.7 Mixed Use	7-26
7.2.8 Service Discount Plans	7-28
7.2.9 Density Pricing Zones	7-34
7.2.10 Incremental Spend Discount Plan	7-35
7.2.11 Early Termination Penalty Forgiveness Plan	7-40
7.3 <u>Surcharge for Special Access Service</u>	7-45
7.3.1 General	7-45
7.3.2 Application	7-46
7.3.3 Exemption of Special Access Service	7-46
7.3.4 Rate Regulations	7-47
7.4 <u>Metallic Service</u>	7-49
7.4.1 Basic Channel Description	7-49
7.4.2 Technical Specifications Packages and Network Channel Interfaces	7-49
7.4.3 Optional Features and Functions	7-49
7.5 <u>Telegraph Grade Service</u>	7-50
7.5.1 Basic Channel Description	7-50

 Effective: March 20, 2023

TABLE OF CONTENTS

		<u>Page No.</u>
7.5.2	Technical Specifications Packages and Network Channel Interfaces	7-50
7.5.3	Optional Features and Functions	7-50
7.6	<u>Voice Grade Service</u>	7-51
7.6.1	Basic Channel Description	7-51
7.6.2	Technical Specifications Packages and Network Channel Interfaces	7-51
7.6.3	Optional Features and Functions	7-51
7.7	<u>Program Audio Service</u>	7-58
7.7.1	Basic Channel Description	7-58
7.7.2	Technical Specifications Packages and Network Channel Interfaces	7-58
7.7.3	Optional Features and Functions	7-58
7.8	<u>Video Service</u>	7-60
7.8.1	Basic Channel Description	7-60
7.8.2	Technical Specifications Packages and Network Channel Interfaces	7-60
7.9	<u>Digital Data Service</u>	7-61
7.9.1	Basic Channel Description	7-61
7.9.2	Technical Specifications Packages and Network Channel Interfaces	7-62
7.9.3	Optional Features and Functions	7-62
7.10	<u>High Capacity Service</u>	7-64
7.10.1	Basic Channel Description	7-64
7.10.2	Technical Specifications Packages and Network Channel Interfaces	7-65
7.10.3	Optional Features and Functions	7-66

TABLE OF CONTENTS

	<u>Page No.</u>
7.11 <u>Synchronous Optical Channel Service</u>	7-70
7.11.1 Basic Channel Description	7-70
7.11.2 Network Channel Interfaces	7-71
7.11.3 Optional Features and Functions	7-72
7.12 <u>RESERVED FOR FUTURE USE</u>	7-73
7.13 <u>RESERVED FOR FUTURE USE</u>	7-73
7.14 <u>Competitive vs Non-competitive Wire Center Listing</u>	7-74
8. <u>RESERVED FOR FUTURE USE</u>	8-1
9. <u>RESERVED FOR FUTURE USE</u>	9-1
10. <u>RESERVED FOR FUTURE USE</u>	10-1
11. <u>SPECIAL FACILITIES ROUTING OF ACCESS SERVICES</u>	11-1
11.1 <u>Description</u>	11-1
11.1.1 Diversity	11-1
11.1.2 Avoidance	11-1
11.1.3 Diversity and Avoidance Combined	11-1
12. <u>RESERVED FOR FUTURE USE</u>	12-1
13. <u>ADDITIONAL ENGINEERING, ADDITIONAL LABOR AND MISCELLANEOUS SERVICES</u>	13-1
13.1 <u>Additional Engineering</u>	13-1
13.2 <u>Additional Labor</u>	13-2
13.2.1 Overtime Installation	13-2
13.2.2 Overtime Repair	13-2
13.2.3 Stand By	13-2
13.2.4 Testing and Maintenance with Other Telephone Companies	13-2
13.2.5 Other Labor	13-2
13.3 <u>Miscellaneous Services</u>	13-3
13.3.1 Testing Services	13-3
13.3.2 Maintenance of Service	13-4
13.3.3 Telecommunications Service Priority - TSP	13-5
13.3.4 Miscellaneous Equipment	13-6
13.3.5 Provision of Access Service Billing Info	13-6
14. <u>RESERVED FOR FUTURE USE</u>	14-1

 Effective: March 20, 2023

 4001 Rodney Parham Rd.
 Little Rock, Arkansas 72212

TABLE OF CONTENTS

	<u>Page No.</u>
15. <u>ACCESS SERVICE INTERFACES AND TRANSMISSION SPECIFICATIONS</u>	15-1
15.1 <u>Special Access Service</u>	15-1
15.1.1 Network Channel (NC) Codes	15-1
15.1.2 Network Channel Interface (NCI) Codes	15-3
16. <u>PUBLIC PACKET DATA NETWORK</u>	16-1
16.1 <u>Frame Relay Service</u>	16-1
16.1.1 General	16-1
16.1.2 Service Provisions	16-2
16.1.3 Obligations of the Telephone Company	16-3
16.1.4 Obligations of the Customer	16-4
16.1.5 Rate Regulations	16-5
17. <u>RATES AND CHARGES</u>	17-1
17.1 <u>Special Access Service</u>	17-1
17.1.1 Surcharge for Special Access Service	17-1
17.1.2 Metallic Service	17-2
17.1.3 Telegraph Service	17-3
17.1.4 Voice Grade Service	17-7
17.1.5 Program Audio Service	17-28
17.1.6 Video Service	17-39
17.1.7 Digital Data Service	17-40
17.1.8 High Capacity Service	17-55
17.1.9 Service Discount Plans	17-73
17.1.10 Synchronous Optical Channel Service	17-75
17.1.11 Incremental Spend Discount Plan	17-82
17.1.12 Early Termination Penalty Forgiveness Plan	17-83
17.2 <u>Other Services</u>	17-84
17.2.1 Access Ordering	17-84
17.2.2 Additional Engineering	17-87
17.2.3 Additional Labor	17-89
17.2.4 Miscellaneous Services	17-90
17.2.5 Special Facilities Routing of Access Services	17-95
17.2.6 Specialized Services or Arrangements	17-96
17.2.7 Public Packet Data Network	17-97
17.3 <u>Ethernet Virtual LAN Service (EVLS)</u>	17-108
18. <u>RATE ZONE WIRE CENTERS</u>	18-1
19. <u>METROPOLITAN STATISTICAL AREA ACCESS SERVICES</u>	19-1

 Effective: March 20, 2023

TABLE OF CONTENTS

	<u>Page No.</u>
19.1 <u>General Regulations</u>	19-1
19.2 <u>Metropolitan Statistical Areas</u>	19-2
19.3 <u>Services Available in an MSA</u>	19-2
19.4 <u>Application of Rates and Charges</u>	19-3
19.5 <u>Rates and Charges</u>	19-8
23. <u>ETHERNET VIRTUAL LAN SERVICE</u>	23-1

Effective: March 20, 2023

4001 Rodney Parham Rd.
Little Rock, Arkansas 72212

PARTICIPATING CARRIERS

Windstream North Carolina, Inc.
131 Matthews St.
Matthews, NC 28106-0428

Windstream Florida, Inc.
206 White Avenue S.E.
Live Oak, FL 30260

Windstream Georgia Communications Corporation
906 Vista Drive
Dalton, GA 30722

Georgia Windstream Telecom Inc.
906 Vista Drive
Dalton, GA 72203

Windstream Kentucky West, Inc.
229 Lees Valley Road
Shepardsville, KY 40165

Windstream New York, Inc. - Fulton
108 S. Second Street
Fulton, NY 13069

Windstream New York, Inc. - Jamestown
201 E. Fourth St.
Jamestown, NY 14701

Windstream New York, Inc. - Red Jacket
201 E. Fourth St.
Jamestown, NY 14701

Oklahoma Windstream, Inc.
101 Kerr Avenue
Poteau, OK 74953

Windstream Pennsylvania, Inc.
201 North Jefferson Street
Kittanning, PA 16201-0300

Windstream Sugar Land, Inc.
14141 Southwest Freeway
Sugar Land, TX 77487

Windstream Georgia, Inc.
45 Georgia Ave.
Commerce, GA 30529

Windstream Mississippi
101 Lewis Street
Florence, MS 39073

Windstream Missouri
1705 South Lillian
Bolivar, MO 65613

Windstream Oklahoma
Martin and Old Hwy 7
Velma, OK 73091

PARTICIPATING CARRIERS

Windstream South Carolina
106 North Church St.
Lexington, SC 29072

Windstream Western Reserve, Inc.
245 North Main St.
Hudson, OH 44236

Windstream Alabama, Inc.
624 First Avenue
Leeds, Alabama 35094

Texas Windstream
117 East Oak Street
Nocona, Texas 76255

Windstream Arkansas, Inc.
4001 Rodney Parham Rd.
Little Rock, AR 72212

Windstream Ohio, Inc.
50 Executive Parkway
Hudson, Ohio 44236-0827

Windstream Communications Kerrville, L.P.
400 West 15th Street, Suite 440
Austin, TX 78701

Windstream Concord, Inc.
131 Matthews St.
Matthews, NC 28106-0428

Windstream Nebraska, Inc.
1440 M Street
Lincoln, NE 68508

Windstream Kentucky East, Inc.
230 Lexington Green Circle
Suite 605
Lexington, Kentucky 40588

Valor Telecommunications of Texas, LP
400 West 15th Street, Suite 440
Austin, TX 78701

Windstream Lexcom, Inc.
131 Matthews St.
Matthews, NC 28106-0428

PARTICIPATING CARRIERS

Windstream Iowa Communications, Inc. - North #1167
17 South High Street, Suite 750
Columbus, OH 43215

Windstream Iowa Communications, Inc. - Systems #1170
17 South High Street, Suite 750
Columbus, OH 43215

Windstream Iowa Communications, Inc. #1178
17 South High Street, Suite 750
Columbus, OH 43215

Windstream Lakedale, Inc. #1414
9938 State Hwy 55 NW
Annandale, MN 55302

Windstream Lakedale, Inc. - Connections #1482
9938 State Hwy 55 NW
Annandale, MN 55302

Windstream Georgia Telephone, LLC
906 Vista Drive
Dalton, GA 72203

Windstream Montezuma, Inc.
4001 Rodney Parham Road
Little Rock, AR 72212

Windstream Buffalo Valley, Inc.
201 North Jefferson Street
Kittanning, PA 16201-0300

Windstream Conestoga, Inc.
201 North Jefferson Street
Kittanning, PA 16201-0300

Windstream D&E, Inc.
201 North Jefferson Street
Kittanning, PA 16201-0300

EXPLANATION OF SYMBOLS

C - to signify changed language or rate.
 D - to signify deleted language or rate
 N - to signify new language or rate.

EXPLANATION OF ABBREVIATIONS

ADM - Add/Drop Multiplexing
 ADSL - Asymmetric Digital Subscriber Line
 AIN - Advanced Intelligent Network
 AML - Actual Measured Loss
 ANI - Automatic Number Identification
 BNA - Billing Name and Address
 BHMC - Busy Hour Minutes of Capacity
 CCC - Clear Channel Capability
 CCS - Common Channel Signaling
 CDP - Customer Designated Premises
 CI - Channel Interface
 CNP - Charge Number Parameter
 CO - Central Office
 Cont'd - Continued
 CPE - Customer Provided Equipment
 CSP - Carrier Selection Parameter
 dB - decibel
 dBrnC - Decibel Reference Noise C-Message Weighting
 dBrnCO - Decibel Reference Noise C-Message Weighted 0
 dc - direct current
 DSL - Digital Subscriber Line
 EDD - Envelope Delay Distortion
 EML - Expected Measured Loss
 EPL - Echo Path Loss
 ERL - Echo Return Loss
 ESS - Electronic Switching System
 ESSX - Electronic Switching System Exchange
 f - frequency
 F.C.C. - Federal Communications Commission
 HC - High Capacity
 Hz - Hertz
 IC - Interexchange Carrier
 ICB - Individual Case Basis
 ICL - Inserted Connection Loss
 ITP - Interstate Telecommunications Service Provider
 kbps - kilobits per second
 Khz - kilohertz
 LATA - Local Access and Transport Area
 LNP - Local Number Portability
 LRN - Location Number Routing
 ma - milliamperes
 Mbps - Megabits per second
 mcs - Microsecond
 MF - Multifrequency Address
 Mhz - Megahertz
 MRC - Monthly Recurring Charge
 NPA - Numbering Plan Area
 NRC - Nonrecurring Charge
 NXX - Three-Digit Central Office Prefix
 OC - Optical Carrier
 OLT - Optical Line Termination)
 POT - Point of Termination

Effective: March 20, 2023

4001 Rodney Parham Rd.
 Little Rock, AR 72212

EXPLANATION OF ABBREVIATIONS (Cont'd)

PSTN	-	Public Switched Telephone Network
SAC	-	Service Access Code
SNAL	-	Signaling Network Access Line
SONET	-	Synchronous Optical Network
SP	-	Signalling Point
SPOI	-	Signalling Point of Interface
SRL	-	Singing Return Loss
SSP	-	Service Switching Point
SS7	-	Signalling System 7
STP	-	Signalling Transfer Point
STS	-	Synchronous Transport Signal
SWC	-	Serving Wire Center
TDM	-	Time Division Multiplexing
TLP	-	Transmission Level Point
V & H	-	Vertical & Horizontal
WATS	-	Wide Area Telecommunications Service(s)
WSO	-	WATS Serving Office

Effective: March 20, 2023

4001 Rodney Parham Rd.
Little Rock, AR 72212

1. Application of Guidebook

- 1.1 This guidebook contains regulations, rates and charges applicable to the provision of Special Access services, hereinafter referred to collectively as service(s). These services are provided to customers by the Participating Carriers of this guidebook, hereinafter the Telephone Company. This guidebook also contains Access Ordering regulations and charges that are applicable when these services are ordered or modified by the customer.
- 1.2 The provision of such services by the Telephone Company as set forth in this guidebook does not constitute a joint undertaking with the customer

Effective: March 20, 2023

4001 Rodney Parham Rd.
Little Rock, AR 72212

2. General Regulations2.1 Undertaking of the Telephone Company2.1.1 Scope

- (A) The Telephone Company shall be responsible only for the installation, operation and maintenance of the services it provides.
- (B) The Telephone Company will, for maintenance purposes, test its service only to the extent necessary to detect and/or clear troubles.
- (C) Services are provided 24 hours daily, seven days per week, except as set forth in other applicable sections of this guidebook.
- (D) The Telephone Company does not warrant that its facilities and services meet standards other than those set forth in this guidebook.

2.1.2 Limitations(A) Assignment or Transfer of Services

The customer may assign or transfer the use of services provided under this guidebook only where there is no interruption of use or relocation of the services. Such assignment or transfer may be made to:

- (1) Another customer, whether an individual, partnership, association or corporation, provided the assignee or transferee assumes all outstanding indebtedness for such services, and the unexpired portion of the minimum period and the termination liability applicable to such services, if any; or

Effective: March 20, 2023

4001 Rodney Parham Rd.
Little Rock, AR 72212

2. General Regulations (Cont'd)2.1 Undertaking of the Telephone Company (Cont'd)2.1.2 Limitations (Cont'd)(A) Assignment or Transfer of Services (Cont'd)

- (2) A court-appointed receiver, trustee or other person acting pursuant to law in bankruptcy, receivership, reorganization, insolvency, liquidation or other similar proceedings, provided the assignee or transferee assumes the unexpired portion of the minimum period and the termination liability applicable to such services, if any.

In all cases of assignment or transfer, the written acknowledgment of the Telephone Company is required prior to such assignment or transfer. This acknowledgment shall be made within 15 days from the receipt of notification. All regulations and conditions contained in this guidebook shall apply to such assignee or transferee.

The assignment or transfer of services does not relieve or discharge the assignor or transferor from remaining jointly or severally liable with the assignee or transferee for any obligations existing at the time of the assignment or transfer.

(B) Use and Restoration of Services

The use and restoration of services shall be in accordance with Part 64, Subpart D, Appendix A, of the Federal Communications Commission's Rules and Regulations, which specifies the priority system for such activities.

(C) Sequence of Provisioning

Subject to compliance with the rules mentioned in (B) preceding, the services offered herein will be provided to customers on a first-come, first-served basis.

The first-come, first-served sequence shall be based upon the received time and date recorded, by stamp or other notation, by the Telephone Company on customer access orders. These orders must contain all the information as required for each respective service as delineated in other sections of this guidebook. Customer orders shall not be deemed to have been received until such information is provided. Should questions arise which preclude order issuance due to missing information or the need for clarification, the Telephone Company will attempt to seek such missing information or clarification on a verbal basis.

Effective: March 20, 2023

4001 Rodney Parham Rd.
Little Rock, AR 72212

2. General Regulations (Cont'd)2.1 Undertaking of the Telephone Company (Cont'd)2.1.3 Liability(A) Limits of Liability

The Telephone Company's liability, if any, for its willful misconduct is not limited by this guidebook. With respect to any other claim or suit, by a customer or by any others, for damages associated with the installation, provision, termination, maintenance, repair or restoration of service, and subject to the provisions of (B) through (G) following, the Telephone Company's liability if any, shall not exceed an amount equal to the proportionate charge for the service for the period during which the service was affected. This liability for damages shall be in addition to any amounts that may otherwise be due the customer under this guidebook as a Credit Allowance for a Service Interruption.

(B) Acts or Omissions

The Telephone Company shall not be liable for any act or omission of any other carrier or customer providing a portion of a service, nor shall the Telephone Company for its own act or omission hold liable any other carrier or customer providing a portion of a service.

(C) Damages to Customer Premises

The Telephone Company is not liable for damages to the customer premises resulting from the furnishing of a service, including the installation and removal of equipment and associated wiring, unless the damage is caused by the Telephone Company's negligence.

(D) Indemnification of Telephone Company(1) By the End User

The Telephone Company shall be indemnified, defended and held harmless by the end user against any claim, loss or damage arising from the end user's use of services offered under this guidebook, involving:

- a) Claims for libel, slander, invasion of privacy, or infringement of copyright arising from the end user's own communications;

Effective: March 20, 2023

4001 Rodney Parham Rd.
Little Rock, AR 72212

2. General Regulations (Cont'd)2.1 Undertaking of the Telephone Company (Cont'd)2.1.3 Liability (Cont'd)(D) Indemnification of Telephone Company (Cont'd)(1) By the End User (Cont'd)

- (b) Claims for patent infringement arising from the end user's acts combining or using the service furnished by the Telephone Company in connection with facilities or equipment furnished by the end users or customer or;
- (c) All other claims arising out of any act or omission of the end user in the course of using services provided pursuant to this guidebook.

(2) By the Customer

The Telephone Company shall be indemnified, defended and held harmless by the customer against any claim, loss or damage arising from the customer's use of services offered under this guidebook, involving:

- (a) Claims for libel, slander invasion of privacy, or infringement of copyright arising from the customer's own communications;
- (b) Claims for patent infringement arising from the customer's acts combining or using the service furnished by the Telephone Company in connection with facilities or equipment furnished by the end user or customer or;
- (c) All other claims arising out of any act or omission of the customer in the course of using services provided pursuant to this guidebook.

Effective: March 20, 2023

4001 Rodney Parham Rd.
Little Rock, AR 72212

2. General Regulations (Cont'd)2.1 Undertaking of the Telephone Company (Cont'd)2.1.3 Liability (Cont'd)(E) Explosive Atmospheres

The Telephone Company does not guarantee or make any warranty with respect to its services when used in an explosive atmosphere. The Telephone Company shall be indemnified, defended and held harmless by the customer from any and all claims by any person relating to such customer's use of services so provided.

(F) No License Granted

No license under patents (other than the limited license to use) is granted by the Telephone Company or shall be implied or arise by estoppel, with respect to any service offered under this guidebook. The Telephone Company will defend the customer against claims of patent infringement arising solely from the use by the customer of services offered under this guidebook and will indemnify such customer for any damages awarded based solely on such claims.

(G) Circumstances Beyond the Telephone Company's Control

The Telephone Company's failure to provide or maintain services under this guidebook shall be excused by labor difficulties, governmental orders, civil commotions, criminal actions taken against the Telephone Company, acts of God and other circumstances beyond the Telephone Company's reasonable control, subject to the Credit Allowance for a Service Interruption as set forth in 2.4.4 following.

2.1.4 Provision of Services

The Telephone Company will provide to the customer, upon reasonable notice, services offered in other applicable sections of this guidebook at rates and charges specified therein. Services will be made available to the extent that such services are or can be made available with reasonable effort, and after provision has been made for the Telephone Company's telephone exchange services.

Effective: March 20, 2023

4001 Rodney Parham Rd.
Little Rock, AR 72212

2. General Regulations (Cont'd)2.1 Undertaking of the Telephone Company (Cont'd)2.1.5 Facility Terminations

The services provided under this guidebook (A) will include any entrance cable or drop wiring to that point where provision is made for termination of the Telephone Company's outside distribution network facilities at a mutually acceptable suitable location at a mutually agreeable customer-designated premises and (B) will be installed by the Telephone Company to such point of termination. Each Access Service has only one point of termination per customer premises. Any additional terminations beyond such point of termination are the sole responsibility of the customer. Moves of the point of termination at the customer's premises will be as set forth in 6.7.6 and 7.2.3 following.

For single unit premises the point of termination shall be a point within twelve inches of the protector or, where there is no protector, within twelve inches of where the telephone wire enters the customer's premises.

For multiunit premises existing as of August 13, 1990, the point of termination shall be determined in accordance with the Company's reasonable and nondiscriminatory standard operating practices. Where there are multiple points of termination within the multiunit premises, the point of termination for a customer shall not be further inside the customer's premises than a point twelve inches from where the wiring enters the customer's premises.

For multiunit premises in which wiring is installed after August 13, 1990, including additions, modifications and rearrangements of wiring existing prior to that date, the point of termination shall be placed at the minimum point of entry as determined in accordance with the Company's reasonable and nondiscriminatory standard operating practices. The minimum point of entry shall be either the closest practicable point to where the wiring crosses a property line or the closest practicable point to where the wiring enters the multiunit building or buildings. If the Company did not elect to place the point of termination at the minimum point of entry, the multiunit premises owner shall determine the location of the point or points of termination. The multiunit premises owner shall determine whether there shall be a single point of termination for all customers or separate such locations for each customer, provided however, that where there are multiple points of termination within the multiunit premises, the point of termination for a customer shall not be further inside the customer's premises than a point twelve inches from where the wiring enters the customer's premises.

Effective: March 20, 2023

4001 Rodney Parham Rd.
Little Rock, AR 72212

2. General Regulations (Cont'd)2.1 Undertaking of the Telephone Company (Cont'd)2.1.6 Service Maintenance

The services provided under this guidebook shall be maintained by the Telephone Company. The customer or others may not rearrange, move, disconnect, remove or attempt to repair any facilities provided by the Telephone Company, other than by connection or disconnection to any interface means used, except with the written consent of the Telephone Company.

2.1.7 Changes and Substitutions

Except as provided for equipment and systems subject to FCC Part 68 Regulations at 47 C.F.R. Section 68.110(b), the Telephone Company may, where such action is reasonably required in the operation of its business, substitute, change or rearrange any facilities used in providing service under this guidebook. Such actions may include, without limitation:

- substitution of different metallic facilities,
- substitution of carrier or derived facilities for metallic facilities used to provide other than metallic facilities,
- substitution of fiber or optical facilities
- change of minimum protection criteria,
- change of operating or maintenance characteristics of facilities, or
- change of operations or procedures of the Telephone Company.

In case of any such substitution, change or rearrangement, the transmission parameters will be within the range as set forth in Section 15. following. The Telephone Company shall not be responsible if any such substitution, change or rearrangement renders any customer furnished services obsolete or requires modification or alteration thereof or otherwise affects their use or performance. If such substitution, change or rearrangement materially affects the operating characteristics of the facility, the Telephone Company will provide reasonable notification to the customer in writing. Reasonable time will be allowed for any redesign and implementation required by the change in operating characteristics. The Telephone Company will work cooperatively with the customer to determine reasonable notification procedures.

Effective: March 20, 2023

4001 Rodney Parham Rd.
Little Rock, AR 72212

2. General Regulations (Cont'd)2.1 Undertaking of the Telephone Company (Cont'd)2.1.8 Refusal and Discontinuance of Service

(A) If a customer fails to comply with 2.1.6 preceding (Service Maintenance) or 2.3.1, 2.3.4, 2.3.6, 2.4.1 or 2.5 following (respectively, Damages, Availability for Testing, Balance, Payment Arrangements, Connections) including any customers failure to make payments on the date and times therein specified, the Telephone Company may, on twenty (20) days written notice to the customer by Certified U.S. Mail or electronic mail (email) without undeliverable message from email address provided by the customer, take the following actions:

- refuse additional applications for service and/or refuse to complete any pending orders for service, and/or
- discontinue the provision of service to the non-complying customer at any time thereafter.

In the case of discontinuance all applicable charges, including termination charges, shall become due.

(B) If a customer fails to comply with 2.2.2 following (Unlawful and Abusive Use), the Telephone Company may, upon written request from a customer, or another exchange carrier, terminate service to any subscriber or customer identified as having utilized service provided under this guidebook in the completion of abusive or unlawful telephone calls. Service shall be terminated by the Telephone Company as provided for in its general and/or local exchange service guidebooks.

In such instances when termination occurs the Telephone Company shall be indemnified, defended and held harmless by any customer or Exchange Carrier requesting termination of service against any claim, loss or damage arising from the Telephone Company's actions in terminating such service, unless caused by the Telephone Company's negligence.

Effective: March 20, 2023

4001 Rodney Parham Rd.
Little Rock, AR 72212

2. General Regulations (Cont'd)2.1 Undertaking of the Telephone Company (Cont'd)2.1.8 Refusal and Discontinuance of Service (Cont'd)

- (C) Except as provided for equipment or systems subject to the FCC Part 68 Rules in 47 C.F.R. Section 68.108, if the customer fails to comply with 2.2.1 following (Interference or Impairment), the Telephone Company will, where practicable, notify the customer that temporary discontinuance of the use of a service may be required; however, where prior notice is not practicable, the Telephone Company may temporarily discontinue service forthwith if such action is reasonable in the circumstances. In case of such temporary discontinuance, the customer will be notified promptly and afforded the opportunity to correct the condition which gave rise to the temporary discontinuance. During such period of temporary discontinuance, credit allowance for service interruptions as set forth in 2.4.4 following is not applicable.
- (D) When access service is provided by more than one Telephone Company, the companies involved in providing the joint service may individually or collectively deny service to a customer for nonpayment. Where the Telephone Company(s) affected by the nonpayment is incapable of effecting discontinuance of service without cooperation from the other joint providers of Switched Access Service, such other Telephone Company(s) will, if technically feasible, assist in denying the joint service to the customer. Service denial for such joint service will only include calls originating or terminating within, or transiting, the operating territory of the Telephone Companies initiating the service denial for nonpayment. When more than one of the joint providers must deny service to effectuate termination for nonpayment, in cases where a conflict exists in the applicable guidebook provisions, the guidebook regulations of the end office Telephone Company shall apply for joint service discontinuance.

Effective: March 20, 2023

4001 Rodney Parham Rd.
Little Rock, AR 72212

2. General Regulations (Cont'd)2.1 Undertaking of the Telephone Company (Cont'd)2.1.8 Refusal and Discontinuance of Service (Cont'd)

(E) If the Telephone Company does not refuse additional applications for service and/or does not discontinue the provision of the services as specified for herein, and the customer's noncompliance continues, nothing contained herein shall preclude the Telephone Company's right to refuse additional applications for service and/or to discontinue the provision of the services to the non-complying customer without further notice.

(F) If the National Exchange Carrier Association, Inc., notifies the Telephone Company that the Customer has failed to comply with Lifeline Assistance and Universal Service Fund provisions contained in NECA FCC No. 5, Section 8, including any Customer's failure to make payments on the date and times specified therein, the Telephone Company may, on thirty days' written notice to the Customer by Certified U.S. Mail or electronic mail (email) without undeliverable message from email address provided by the customer, take any of the following actions:

- refuse additional applications for service
- refuse to complete any pending orders for service.
- discontinue the provision of service to the Customer.

In the case of discontinuance, all applicable charges including termination charges shall become due.

2.1.9 Notification of SERVICE-Affecting Activities

The Telephone Company will provide the customer reasonable notification of service-affecting activities that may occur in the normal operation of its business. Such activities may include, but are not limited to the following:

- equipment or facilities additions,
- removals or rearrangements,
- routine preventative maintenance, and
- major switching machine change-out.

Generally, such activities are not individual customer service specific, but may affect many customer services. No specific advance notification period is applicable to all service activities. The Telephone Company will work cooperatively with the customer to determine reasonable notification requirements.

Effective: March 20, 2023

4001 Rodney Parham Rd.
Little Rock, AR 72212

2. General Regulations (Cont'd)2.1 Undertaking of the Telephone Company (Cont'd)2.1.10 Coordination with Respect to Network Contingencies

The Telephone Company intends to work cooperatively with the customer to develop network contingency plans in order to maintain maximum network capability following natural or man-made disasters which affect telecommunications services.

2.1.11 Provision and Ownership of Telephone Numbers

The Telephone Company reserves the reasonable right to assign, designate or change telephone numbers, any other call number designations associated with Access Services, or the Telephone Company serving central office prefixes associated with such numbers, when necessary in the conduct of its business. Should it become necessary to make a change in such number(s), the Telephone Company will furnish to the customer six (6) months notice, by Certified U.S. Mail, of the effective date and an explanation of the reason(s) for such change(s).

2.1.12 Preemption of Service

In certain instances, i.e., no spare services are available, it may be necessary to preempt existing services to provision or restore NSEP Services. If, in its best judgement, the Telephone Company deems it necessary to preempt, then the Telephone Company will ensure that:

- (A) A sufficient number of public switched services are available for public use if preemption of such services is necessary to provision NSEP TSP Service.
- (B) The services preempted have a lower or no assigned TSP priority.
- (C) A reasonable effort is made to notify the preempted service customer of the action to be taken.
- (D) A credit allowance for any preempted service shall be made in accordance with the provisions set forth in Section 2.4.4(A).

Effective: March 20, 2023

4001 Rodney Parham Rd.
Little Rock, AR 72212

2. General Regulations (Cont'd)2.2 Use2.2.1 Interference or Impairment

The characteristics and methods of operation of any circuits, facilities or equipment provided by other than the Telephone Company and associated with the facilities utilized to provide services under this guidebook shall not:

- interfere with or impair service over any facilities of the Telephone Company, its affiliated companies, or its connecting and concurring carriers involved in its services,
- cause damage to their plant,
- impair the privacy of any communications carried over their facilities, or
- create hazards to the employees of any of them or the public.

2.2.2 Unlawful and Abusive Use

The service provided under this guidebook shall not be used for an unlawful purpose or used in an abusive manner.

Abusive use includes:

- (1) The use of the service of the Telephone Company for a call or calls, anonymous or otherwise, in a manner reasonably expected to frighten, abuse, torment, or harass another;
- (2) The use of the service in such a manner as to interfere unreasonably with the use of the service by one or more other customers.

Effective: March 20, 2023

4001 Rodney Parham Rd.
Little Rock, AR 72212

2. General Regulations (Cont'd)2.3 Obligations of the Customer2.3.1 Damages

The customer shall reimburse the Telephone Company for damages to Telephone Company facilities utilized to provide services under this guidebook caused by the negligence or willful act of the customer or resulting from the customer's improper use of the Telephone Company facilities, or due to malfunction of any facilities or equipment provided by other than the Telephone Company. Nothing in the foregoing provision shall be interpreted to hold one customer liable for another customer's actions. The Telephone Company will, upon reimbursement for damages, cooperate with the customer in prosecuting a claim against the person causing such damage and the customer shall be subrogated to the right of recovery by the Telephone Company for the damages to the extent of such payment.

2.3.2 Ownership of Facilities and Theft

Facilities utilized by the Telephone Company to provide service under the provisions of this guidebook shall remain the property of the Telephone Company. Such facilities shall be returned to the Telephone Company by the customer, whenever requested, within a reasonable period. The equipment shall be returned in as good condition as reasonable wear will permit.

2.3.3 Equipment Space and Power

The customer shall furnish or arrange to have furnished to the Telephone Company, at no charge, equipment space and electrical power required by the Telephone Company to provide services under this guidebook at the points of termination of such services. The selection of ac or dc power shall be mutually agreed to by the customer and the Telephone Company. The customer shall also make necessary arrangements in order that the Telephone Company will have access to such spaces at reasonable times for installing, testing, repairing or removing Telephone Company facilities used to provide services.

Space and power for service involving Expanded Interconnection shall be governed by the terms and conditions relating specifically to Expanded Interconnection. See Section 8.

Effective: March 20, 2023

4001 Rodney Parham Rd.
Little Rock, AR 72212

2. General Regulations (Cont'd)2.3 Obligations of the Customer (Cont'd)2.3.4 Availability for Testing

Access to facilities used to provide services under this guidebook shall be available to the Telephone Company at times mutually agreed upon in order to permit the Telephone Company to make tests and adjustments appropriate for maintaining the services in satisfactory operating condition. Such tests and adjustments shall be completed within a reasonable time. As set forth in 2.4.4(C)(4) following, (Credit Allowances for Service Interruptions) no credit will be allowed for any interruptions involved during such tests and adjustments.

2.3.5 Limitation of Use of Metallic Facilities

Signals applied to a metallic facility shall conform to the limitations set forth in Technical Reference Publication AS No. 1. In the case of application of dc telegraph signaling systems, the customer shall be responsible, at its expense, for the provision of current limiting devices to protect the Telephone Company facilities from excessive current due to abnormal conditions and for the provision of noise mitigation networks when required to reduce excessive noise.

2.3.6 Balance

All signals for transmission over the facilities used to provide services under this guidebook shall be delivered by the customer balanced to ground except for ground start, duplex (DX) and McCulloch-Loop (Alarm System) type signaling and dc telegraph transmission at speeds of 75 baud or less.

2.3.7 Design of Customer Services

Subject to the provisions of 2.1.7 preceding (Changes and Substitutions), the customer shall be solely responsible, at its own expense, for the overall design of its services and for any redesigning or rearrangement of its services which may be required because of changes in facilities, operations or procedures of the Telephone Company, minimum protection criteria or operating or maintenance characteristics of the facilities.

2.3.8 References to the Telephone Company

The customer may advise end users that certain services are provided by the Telephone Company in connection with the service the customer furnishes to end users; however, the customer shall not represent that the Telephone Company jointly participates in the customer's services.

Effective: March 20, 2023

4001 Rodney Parham Rd.
Little Rock, AR 72212

2. General Regulations (Cont'd)2.3 Obligations of the Customer (Cont'd)2.3.9 Claims and Demands for Damages

- (A) With respect to claims of patent infringement made by third persons, the customer shall defend, indemnify, protect and save harmless the Telephone Company from and against all claims arising out of the combining with, or use in connection with, the services provided under this guidebook, any circuit, apparatus, system or method provided by the customer.
- (B) The customer shall defend, indemnify and save harmless the Telephone Company from and against any suits, claims, losses and damages, including punitive damages, attorney fees and court costs by third persons arising out of the construction, installation, operation, maintenance, or removal of the customer's circuits, facilities, or equipment connected to the Telephone Company's services provided under this guidebook including, without limitation, Worker's Compensation claims, actions for infringement of copyright and/or unauthorized use of program material, libel and slander actions based on the content of communications transmitted over the customer's circuits, facilities or equipment, and proceedings to recover taxes, fines, or penalties for failure of the customer to obtain or maintain in effect any necessary certificates, permits, licenses, or other authority to acquire or operate the services provided under this guidebook; provided, however, the foregoing indemnification shall not apply to suits, claims, and demands to recover damages for damage to property, death, or personal injury unless such suits, claims or demands are based on the tortious conduct of the customer, its officers, agents or employees.
- (C) The customer shall defend, indemnify and save harmless the Telephone Company from and against any suits, claims, losses or damages, including punitive damages, attorney fees and court costs by the customer or third parties arising out of any act of omission of the customer in the course of using services provided under this guidebook.

Effective: March 20, 20234001 Rodney Parham Rd.
Little Rock, AR 72212

2. General Regulations (Cont'd)2.3 Obligations of the Customer (Cont'd)2.3.10 Coordination with Respect to Network Contingencies

The customer shall, in cooperation with the Telephone Company, coordinate in planning the actions to be taken to maintain maximum network capability following natural or man-made disasters which affect telecommunications services.

2.3.11 Jurisdictional Report and Certification Requirements(A) Certification Requirements - Special Access, Digital Subscriber Line Access, and Public Packet Data Network Services

When the customer orders Special Access Service or Public Packet Data Network Service and the customer certifies to the Telephone Company in writing that more than ten percent of the traffic is interstate, the service is considered to be interstate and is provided under this Guidebook.

Following initial certification, should the jurisdictional nature of the customer's Special Access or Public Packet Data Network Services change, the customer should inform the Telephone Company in writing of the change. The effective date of the change will be the date the Telephone Company receives the customer's notice of change. No charge applies for the jurisdictional change.

(B) Disputes Involving Jurisdictional Certification - Special Access

If a dispute arises concerning the certification of projected interstate traffic as described in (A) above, the Telephone Company will ask the customer to provide the data the customer used to determine that more than 10% of the traffic is interstate. The customer shall supply the data within thirty (30) days of the Telephone Company request. If the reply results in a jurisdictional change of a Special Access Service, the effective date of the change will be the date the Telephone Company receives the customer's reply. There is no charge when the customer's reply results in a jurisdictional change in the Special Access Service. No changes will be made to existing interstate percentages until the requested detail has been provided to warrant such change.

Effective: March 20, 2023

4001 Rodney Parham Rd.
Little Rock, AR 72212

2. General Regulations (Cont'd)2.3 Obligations of the Customer (Cont'd)2.3.12 Determination of Interstate Charges for Mixed
Interstate and Intrastate Switched Access Service

When mixed interstate and intrastate Switched Access Service is provided, all charges (i.e., nonrecurring, monthly and/or usage) including optional features charges, will be prorated between interstate and intrastate. The percentage determined as set forth in 2.3.11 preceding will serve as the basis for prorating the charges unless the Telephone Company is billing according to actuals by jurisdiction. The percentage of an Access Service to be charged as interstate is applied in the following manner:

(A) Monthly and Nonrecurring Charges

For monthly and nonrecurring chargeable rate elements, multiply the percent interstate use times the quantity of chargeable elements times the stated tariff rate.

(B) Usage Sensitive Charges

For usage sensitive (i.e., access minutes and calls) chargeable rate elements, multiply the percent interstate use times actual use (i.e., measured or Telephone Company assumed average use) times the stated tariff rate.

Effective: March 20, 2023

4001 Rodney Parham Rd.
Little Rock, AR 72212

2. General Regulations (Cont'd)2.4 Payment Arrangements and Credit Allowances2.4.1 Payment of Rates, Charges and Deposits(A) Deposits

The Telephone Company will only require a customer which has a proven history of late payments to the Telephone Company or does not have established credit, to make a deposit prior to or at any time after the provision of a service to the customer. No such deposit will be required of a customer which is a successor of a company which has established credit and has no history of late payments to the Telephone Company. Such deposit will not exceed the actual or estimated rates and charges for the service for a two month period. The fact that a deposit has been made in no way relieves the customer from complying with the Telephone Company's regulations as to the prompt payment of bills. At such time as the provision of the service to the customer is terminated, the amount of the deposit will be credited to the customer's account and any credit balance which may remain will be refunded.

Such a deposit will be refunded or credited to the account when the customer has established credit or, in any event, after the customer has established a one-year prompt payment record at any time prior to the termination of the provision of the service to the customer. In case of a cash deposit, for the period the deposit is held by the Telephone Company, the customer will receive interest at the same percentage rate as that set forth in (C) (2) (a) or in (C) (2) (b) following, whichever is lower.

The rate will be compounded daily for the number of days from the date the customer deposit is received by the Telephone Company to and including the date such deposit is credited to the customer's account or the date the deposit is refunded by the Telephone Company. Should a deposit be credited to the customer's account, as indicated above, no interest will accrue on the deposit from the date such deposit is credited to the customer's account.

Effective: March 20, 2023

4001 Rodney Parham Rd.
Little Rock, AR 72212

2. General Regulations (Cont'd)2.4 Payment Arrangements and Credit Allowances (Cont'd)2.4.1 Payment of Rates, Charges and Deposits (Cont'd)(B) Bill Dates

The Telephone Company shall bill on a current basis all charges incurred by and credits due to the customer under this guidebook attributable to services established or discontinued during the preceding billing period. In addition, the Telephone Company shall bill in advance charges for all services to be provided during the ensuing billing period. The bill day (i.e., the billing date of a bill for a customer for Access Service under this guidebook), the period of service each bill covers and the payment date will be as follows:

The Telephone Company will establish a bill day each month for each customer account or advise the customer in writing of an alternate billing schedule. Alternate billing schedules shall not be established on less than 60 days notice or initiated by the Telephone Company more than twice in any consecutive 12 month period.

The bill will cover service charges for the ensuing billing period for which the bill is rendered and any known unbilled charges for prior periods. Any known unbilled adjustments will be applied to this bill. Payment for such bills is due in immediately available funds by the payment date, as set forth in (C) following. If payment is not received by the payment date, a late payment penalty will apply as set forth in (C) following.

(C) Payment Dates and Late Payment Penalties

- (1) All bills dated as set forth in (B) preceding for service provided to the customer by the Telephone Company are due 31 days (payment date) after the bill day or by the next bill date (i.e., same date in the following month as the bill date), whichever is the shortest interval, except as provided herein, and are payable in immediately available funds.

Effective: March 20, 2023

4001 Rodney Parham Rd.
Little Rock, AR 72212

2. General Regulations (Cont'd)2.4 Payment Arrangements and Credit Allowances (Cont'd)2.4.1 Payment of Rates, Charges and Deposits (Cont'd)(C) Payment Dates and Late Payment Penalties (Cont'd)

All bills dated as set forth in (2) preceding for service provided to the customer by the Telephone Company are due 31 days (payment date) after the bill day or by the next bill date (i.e., same date in the following month as the bill date), whichever is the shortest interval, except as provided herein, and are payable in immediately available funds. If such payment date would cause payment to be due on a Saturday, Sunday or Holiday (i.e., New Year's Day, Martin Luther King, Jr. Day, Independence Day, Labor Day, Thanksgiving Day, Christmas Day, the second Tuesday in November and a day when Washington's Birthday, Memorial Day or Columbus Day is legally observed), payment for such bills will be due from the customer on the first non-Holiday weekday following such Saturday, Sunday or Holiday.

Effective: March 20, 2023

4001 Rodney Parham Rd.
Little Rock, AR 72212

2. General Regulations (Cont'd)2.4 Payment Arrangements and Credit Allowances (Cont'd)2.4.1 Payment of Rates, Charges and Deposits (Cont'd)(C) Payment Dates and Late Payment Penalties (Cont'd)

(2) Further, if no payment is received by the payment date or if a payment or any portion of a payment is received by the Telephone Company after the payment date as set forth in (1) preceding, or if a payment or any portion of a payment is received by the Telephone Company in funds which are not immediately available to the Telephone Company, then a late payment penalty shall be due to the Telephone Company. The late payment penalty shall be the payment or the portion of the payment not received by the payment date times a late factor. The late factor shall be the lesser of:

(a) the highest interest rate (in decimal value) which may be levied by law for commercial transactions, compounded daily for the number of days from the payment date to and including the date that the customer actually makes the payment to the Telephone Company, or

(b) 0.000292 per day, compounded daily for the number of days from the payment date to and including the date that the customer actually makes the payment to the Telephone Company.

(D) Valid Billing Dispute

A Valid Billing Dispute consists of written documentation specifically listing the total dollar amount of the dispute, specific rate elements being disputed and their dollar amounts as well as identifying one of seven reasons below for the dispute, along with specific supporting detail. (C)
(D)
(D)

If customer is withholding payment for the bill or any portion of the bill a Valid Billing Dispute must be received by the payment date or the bill will be handled as a non-payment in accordance with Section 2.1.8 and 2.4.1 (C) above. (C)
(C)
(C)
If customer pays the bill by the payment date and subsequently submits a Valid Billing Dispute no late payment penalties will be incurred. (C)

1. Incorrect Rate
2. Error in quantity
3. Service no longer exists
4. Invalid factors
5. Incorrect customer being billed
6. Invalid Purchase Order Number (PON)
7. Improper Backbilling

Effective: March 20, 2023

4001 Rodney Parham Rd.
Little Rock, AR 72212

2. General Regulations (Cont'd)

2.4 Payment Arrangements and Credit Allowances (Cont'd)

2.4.1 Payment of Rates, Charges and Deposits (Cont'd)

(D) Valid Billing Disputes (Cont'd)

Any dispute submitted by customer that does not identify one of the seven preceding reasons along with specific supporting detail is an invalid billing dispute. Invalid billing disputes will be rejected as such without investigation by the Telephone Company. The date of the Valid Billing Dispute shall be the day the Telephone Company receives written documentation as described above.

(C)

Valid Billing Disputes must be received by the Telephone Company within 120 days of the bill date for each invoice. If a Valid Billing Dispute is not received by the Telephone Company within 120 days of the invoice bill date customer waives all rights to dispute that invoice. A Valid Billing Dispute is required for each disputed invoice.

(N)

|
|
|
|
(N)

The date of resolution shall be the day the Telephone Company provides notification that it has completed its investigation and provides written notice to the customer regarding the disposition of the claim, i.e., resolved in favor of the customer or dispute denied by the Telephone Company, and credits the customer's account, if applicable. In the event customer has paid the entire bill prior to decision of the dispute in favor of the customer the Telephone Company will apply interest and credit for the amount of the overpayment to the customer's account.

Refusal to pay an entire invoice or any portion thereof without a valid billing dispute against that particular invoice will be handled as a non-payment in accordance with section 2.4.1 (C) above. These provisions do not negate the customers right in any way to file a complaint with the F.C.C., pursuant to Section 208 of the Communications Act of 1934 as amended.

(E) Billing Disputes Denied by the Telephone Company

Refusal to pay a dispute denied by the Telephone Company will be handled as a non-payment in accordance with Section 2.4.1 (C) above. Late payment charges will apply to amounts withheld pending settlement of the dispute. Late payment charges are calculated as set forth in (C)(2) preceding except that when the customer disputes the bill on or before the payment date and pays the undisputed amount on or before the payment date, the penalty interest period shall not begin until 10 days following the payment date.

Effective: March 20, 2023

2. General Regulations (Cont'd)2.4 Payment Arrangements and Credit Allowances (Cont'd)2.4.1 Payment of Rates, Charges and Deposits (Cont'd)(F) Billing Disputes Resolved in Favor of the Customer

If the customer pays the total billed amount and disputes all or part of the amount, the Telephone Company will refund any overpayment. In addition, the Telephone Company will pay to the customer penalty interest on the overpayment. When a claim is filed within 90 days of the due date, the penalty interest period shall begin on the payment date. When a claim is filed more than 90 days after the due date, the penalty interest period shall begin from the date of the claim or the date of overpayment, whichever is later.

The penalty interest period shall end on the date that the Telephone Company actually refunds the overpayment to the customer. The penalty interest rate shall be the lesser of:

- (1) the highest interest rate (in decimal value) which may be levied by law for commercial transactions, compounded daily for the number of days from the first date to and including the last date of the period involved, or
- (2) 0.000292 per day, compounded daily for the number of days from the first date to and including the last date of the period involved.

(G) Rounding of Charges

When a rate as set forth in this guidebook is shown to more than two decimal places, the charges will be determined using the rate shown. The resulting amount will then be rounded to the nearest penny (i.e., rounded to two decimal places).

Effective: March 20, 2023

4001 Rodney Parham Rd.
Little Rock, AR 72212

2. General Regulations (Cont'd)2.4 Payment Arrangements and Credit Allowances (Cont'd)2.4.1 Payment of Rates, Charges and Deposits (Cont'd)(H) Taxes, Fees and Surcharges

There shall be added to the customer's bills, as a separate item, an amount equal to the proportionate part of any license, occupation, franchise, or other similar fee or tax or cost of a tax now or hereafter imposed upon the Telephone Company's interstate revenues by a taxing jurisdiction, and which fee or tax is based upon a percentage of the interstate receipts of the Telephone Company. Where more than one such fee or tax is imposed, each of the charges or taxes applicable to a customer shall be added to the customer's bill as separately identified items. Such taxes or fees will not be applied to the Federal Universal Service Fee or Lifeline services. The taxing jurisdiction and applicable factors are as follows:

<u>Jurisdiction</u>	<u>Tax Factors</u>
Kentucky (Gross Revenues Tax Surcharge)	1.31%

2.4.2 Minimum Periods

The minimum period for which services are provided and for which rates and charges are applicable is one month except for the following, or as otherwise specified in the guidebook:

- Special Access Part-time Video
- Special Access Program Audio
- Special Access High Capacity Service
- Special Access Synchronous Optical Channel Service
- Frame Relay Access Service

The minimum period for which service is provided and for which rates and charges are applicable for a Specialized Service or Arrangement provided on an individual case basis as set forth in Section 12 following, is one month unless a different minimum period is established with the individual case filing.

When a service is discontinued prior to the expiration of the minimum period, charges are applicable, whether the service is used or not, as follows:

Effective: March 20, 2023

4001 Rodney Parham Rd.
Little Rock, AR 72212

2. General Regulations (Cont'd)2.4 Payment Arrangements and Credit Allowances (Cont'd)2.4.2 Minimum Periods (Cont'd)

- (A) When a service with a one month minimum period is discontinued prior to the expiration of the minimum period, a one month charge will apply at the rate level in effect at the time service is discontinued.
- (B) When a service with a minimum period greater than one month is discontinued prior to the expiration of the minimum period, the applicable charge will be the lesser of (1) the Telephone Company's total nonrecoverable costs less the net salvage value for the discontinued service or (2) the total monthly charges, at the rate level in effect at the time service is discontinued, for the remainder of the minimum period.

2.4.3 Cancellation of an Order for Service

Provisions for the cancellation of an order for service are set forth in other applicable sections of this guidebook.

2.4.4 Credit Allowance for Service Interruptions(A) General

A service is interrupted when it becomes unusable to the customer because of a failure of a facility component used to furnish service under this guidebook or in the event that the protective controls applied by the Telephone Company result in the complete loss of service by the customer as set forth in 6.2.1 following. An interruption period starts when an inoperative service is reported to the Telephone Company, and ends when the service is operative.

(B) When a Credit Allowance Applies

In case of an interruption to any service, allowance for the period of interruption, if not due to the negligence of the customer, shall be provided.

For the following services, any period during which the error performance is below that specified for the service will be considered as an interruption:

- Digital Data (DA1 through DA6)
- High Capacity (HC1)
- Synchronous Optical Channel service (OB, OD)

Service interruptions for Specialized Service or Arrangements provided under Section 12 following shall be administered in the same manner as those set forth in this section (2.4.4) unless other regulations are specified with the individual case filing.

Effective: March 20, 2023

4001 Rodney Parham Rd.
Little Rock, AR 72212

2. General Regulations (Cont'd)2.4 Payment Arrangements and Credit Allowances (Cont'd)2.4.4 Credit Allowance for Service Interruptions (Cont'd)(B) When a Credit Allowance Applies (Cont'd)

Credit allowances are computed as follows:

(1) Special Access Service Other than Program Audio and Video

For Special Access Services other than Program Audio and Video Services, no credit shall be allowed for an interruption of less than 30 minutes. The customer shall be credited for an interruption of 30 minutes or more at the rate of 1/1440 of the monthly charges for the facility or service for each period of 30 minutes or Major Fraction Thereof that the interruption continues.

The monthly charges used to determine the credit shall be as follows:

(a) Two-point Services

For two-point services, the monthly charge shall be the total of all the monthly rate element charges associated with the service (e.g., two channel terminations, channel mileage and optional features and functions).

(b) Multipoint Services

For multipoint services, the monthly charge shall be only the total of all the monthly rate element charges associated with that portion of the service that is inoperative (e.g., a channel termination per customer designated premises, channel mileage and optional features and functions).

Effective: March 20, 2023

4001 Rodney Parham Rd.
Little Rock, AR 72212

2. General Regulations (Cont'd)2.4 Payment Arrangements and Credit Allowances (Cont'd)2.4.4 Credit Allowance for Service Interruptions (Cont'd)(B) When a Credit Allowance Applies (Cont'd)(1) Special Access Service other than Program Audio and Video (Cont'd)(c) Multiplexed Services

For multiplexed services, the monthly charge shall be the total of all the monthly rate element charges associated with that portion of the service that is inoperative. When the facility which is multiplexed or the multiplexer itself is inoperative, the monthly charge shall be the total of all the monthly rate element charges associated with the service to the hub and any individual services from the hub. For Special Access, those charges include Channel Termination, Channel Mileage, and Optional Features and functions. For switched Access, those Charges include Entrance Facility, Direct Trunked Transport, Multiplexing and optional features and functions such as Add/Drop Multiplexing, Customer Node, and Customer Premises Port.

When the service which rides a channel of the multiplexed facility is inoperative, the monthly charge shall be the total of all the monthly rate element charges associated with that portion of the service from the hub to a customer premises (i.e., channel termination, channel mileage, Direct Trunked Transport, and optional features and functions).

Effective: March 20, 2023

4001 Rodney Parham Rd.
Little Rock, AR 72212

2. General Regulations (Cont'd)2.4 Payment Arrangements and Credit Allowances (Cont'd)2.4.4 Credit Allowance for Service Interruptions (Cont'd)(B) When a Credit Allowance Applies (Cont'd)(1) Special Access Service other than Program Audio and Video (Cont'd)(e) Public Packet Data Network Services

For Public Packet Data Network Service rate elements, where available, the monthly charge shall be the total of all monthly rate element charges associated with the service (i.e., Frame Relay Access Connection, Frame Relay Inter-network Connection, End User Port, Inter-network Customer Port, and Permanent Virtual Connections).

(4) Credit Allowances Cannot Exceed Monthly Rate

The credit allowance(s) for an interruption or for a series of interruptions shall not exceed any monthly rate for the service interrupted in any one monthly billing period.

(C) When a Credit Allowance Does Not Apply

No credit allowance will be made for:

- (1) Interruptions caused by the negligence of the customer.
- (2) Interruptions of a service due to the failure of equipment or systems provided by the customer or others.
- (3) Interruptions of a service during any period in which the Telephone Company is not afforded access to the premises where the service is terminated.
- (4) Interruptions of a service when the customer has released that service to the Telephone Company for maintenance purposes, to make rearrangements, or for the implementation of an order for a change in the service during the time that was negotiated with the customer prior to the release of that service. Thereafter, a credit allowance as set forth in (B) preceding applies.

Effective: March 20, 2023

4001 Rodney Parham Rd.
Little Rock, AR 72212

2. General Regulations (Cont'd)2.4 Payment Arrangements and Credit Allowances (Cont'd)2.4.4 Credit Allowance for Service Interruptions (Cont'd)(C) When a Credit Allowance Does Not Apply (Cont'd)

- (5) Interruptions of a service which continue because of the failure of the customer to authorize replacement of any element of special construction. The period for which no credit allowance is made begins on the seventh day after the customer receives the Telephone Company's written notification of the need for such replacement and ends on the day after receipt by the Telephone Company of the customer's written authorization for such replacement.
- (6) Periods when the customer elects not to release the service for testing and/or repair and continues to use it on an impaired basis.
- (7) An interruption or a group of interruptions, resulting from a common cause, for amounts less than one dollar.

(D) Use of an Alternative Service Provided by the Telephone Company

Should the customer elect to use an alternative service provided by the Telephone Company during the period that a service is interrupted, the customer must pay the guidebook rates and charges for the alternative service used.

(E) Temporary Surrender of a Service

In certain instances, the customer may be requested by the Telephone Company to surrender a service for purposes other than maintenance, testing or activity relating to a service order. If the customer consents, a credit allowance will be granted. The credit allowance will be 1/1440 of the monthly rate for each period of 30 minutes or fraction thereof that the service is surrendered. In no case will the credit allowance exceed the monthly rate for the service surrendered in any one monthly billing period.

Effective: March 20, 2023

4001 Rodney Parham Rd.
Little Rock, AR 72212

2. General Regulations (Cont'd)2.4 Payment Arrangements and Credit Allowances (Cont'd)2.4.5 Re-establishment of Service Following Fire, Flood or Other Occurrence(A) Nonrecurring Charges Do Not Apply

Charges do not apply for the re-establishment of service following a fire, flood or other occurrence attributed to an Act of God provided that:

- (1) The service is of the same type as was provided prior to the fire, flood or other occurrence.
- (2) The service is for the same customer.
- (3) The service is at the same location on the same premises.
- (4) The re-establishment of service begins within 60 days after Telephone Company service is available. (The 60 day period may be extended a reasonable period if the renovation of the original location on the premises affected is not practical within the allotted time period).

(B) Nonrecurring Charges Apply

Nonrecurring Charges apply for establishing service at a different location on the same premises or at a different premises pending re-establishment of service at the original location.

2.4.6 Title or Ownership Rights

The payment of rates and charges by customers for the services offered under the provisions of this guidebook does not assign, confer or transfer title or ownership rights to proposals or facilities developed or utilized, respectively, by the Telephone Company in the provision of such services.

Effective: March 20, 2023

4001 Rodney Parham Rd.
Little Rock, AR 72212

2. General Regulations (Cont'd)2.4 Payment Arrangements and Credit Allowances (Cont'd)2.4.7 Access Services Provided by More Than One Telephone Company

When an Access Service is provided by more than one Telephone Company, the Telephone Companies involved will use the Multiple Bill Options for Meet Point Billing. The customer will place the order for the service as set forth in 5.3 following.

(A) Meet Point Billing

Meet Point Billing is required when an access service is provided by multiple Telephone Companies for Special Access Service.

Each Telephone Company jointly providing the access service will receive an order or a copy of the order from the customer as specified in 5.3.1 following and arrange to provide the service. A multiple bill arrangement will be used for all meet-point services provided under this guidebook.

The Telephone Company will render the bill in accordance with the industry standards as described in the Multiple Exchange Carrier Access Billing (MECAB) Guidelines and the Multiple Exchange Carrier Ordering and Design (MECOD) Guidelines. The bill will include cross reference(s) to the other telephone Company(s) providing service and common circuit identifiers.

(2) Multiple Bill Option

Under the Multiple Bill Option each company providing the access service will render an access bill to the customer for its portion of the service based on its special access rates and regulations.

Effective: March 20, 2023

4001 Rodney Parham Rd.
Little Rock, AR 72212

2. General Regulations (Cont'd)2.4 Payment Arrangements and Credit Allowances (Cont'd)2.4.7 Access Services Provided by More Than One Telephone Company
(Cont'd)(3) Determination of Meet Point Billed Local
Transport and Channel Mileage Charges

Each Telephone Company's portion of the Local Transport and Channel mileage will be developed as follows:

- (a) Determine the appropriate Local Transport or Channel Mileage by computing the number of airline miles between the Telephone Company premises (serving wire centers) using the V&H method set forth in 7.2.5 following.
- (b) Determine the billing percentage (BP), as set forth in NATIONAL EXCHANGE CARRIER ASSOCIATION, INC. TARIFF F.C.C. NO. 4, which represents the portion of the service provided by each Telephone Company.
- (c) For Special Access, multiply the number of airline miles, as set forth in (a) preceding, times the BP for each Telephone Company, as set forth in (b) preceding, times the Channel Mileage Facility rate and add the Channel Mileage Termination rate.

The Special Access Channel Mileage Termination rate and nonrecurring charges are applied as set forth in 7.2.1(B)(2) and 7.2.2(C) following. (Note: The BP is not applied to either the Channel Mileage Termination Recurring Rate or any Nonrecurring Charge.)

- (d) When three or more Telephone Companies are involved in providing an Access Service, the intermediate Telephone Company(s) will determine the appropriate charges as set forth in (c) through (f) preceding. Additionally, when a segment of the Tandem Switched Facility, Direct Trunked Facility or Channel Mileage Facility is measured to the intermediate office(s), Tandem Switched Termination, the Direct Trunked Termination or Channel Mileage Termination rates are also

Effective: March 20, 2023

4001 Rodney Parham Rd.
Little Rock, AR 72212

applied at the intermediate Telephone
Company(s) office(s).

Effective: March 20, 2023

4001 Rodney Parham Rd.
Little Rock, AR 72212

2. General Regulations (Cont'd)2.5 Connections2.5.1 General

Equipment and Systems (i.e., terminal equipment, multiline terminating systems and communications systems) may be connected with Special Access, and Public Packet Data Network Access Services furnished by the Telephone Company where such connection is made in accordance with the provisions specified in Technical Reference Publication AS No. 1 and in 2.1 preceding.

Effective: March 20, 2023

4001 Rodney Parham Rd.
Little Rock, AR 72212

2. General Regulations (Cont'd)2.6 Definitions

Certain terms used herein are defined as follows:

Access Tandem

The term "Access Tandem" denotes a Telephone Company switching system that provides a concentration and distribution function for originating or terminating traffic between end offices and a customer designated premises.

Add/Drop Multiplexing

The term "Add/Drop Multiplexing" denotes a multiplexing function offered in connection with SONET that allows lower level signals to be added or dropped from a high speed optical carrier channel in a wire center. The connection to the add/drop multiplexer is via a channel to a Central Office Port at a specific digital speed (i.e., DS3, DS1, etc.).

Advanced Intelligent Network (AIN)

The term "Advanced Intelligent Network (AIN)" denotes a telecommunications network architecture that uses databases to facilitate call processing, call routing, and network management, allowing carriers to change the routing of both inbound and outbound calls from moment to moment.

Attenuation Distortion

The term "Attenuation Distortion" denotes the difference in loss at specified frequencies relative to the loss at 1004 Hz, unless otherwise specified.

Authorized Billing Agent

The term "Authorized Billing Agent" denotes the third party hired by a telecommunications service provider to perform billing and collection services for the telecommunications service provider.

Bit

The term "Bit" denotes the smallest unit of information in the binary system of notation.

Billing Name and Address

The term "Billing Name and Address" denotes the name and address provided to a local exchange company by each of its local exchange customers to which the local exchange company directs bills for its services.

Effective: March 20, 2023

4001 Rodney Parham Rd.
Little Rock, AR 72212

2. General Regulations (Cont'd)2.6 Definitions (Cont'd)Business Day

The term "Business Day" denotes the times of day that a company is open for business. Generally, in the business community, these are 8:00 or 9:00 a.m. to 5:00 or 6:00 p.m., respectively, with an hour for lunch, Monday through Friday, resulting in a standard forty (40) hour work week. However, Business Day hours for the Telephone Company may vary based on company policy, union contract and location. To determine such hours for an individual company, or company location, that company should be contacted at the address shown below.

Busy Hour Minutes of Capacity (BHMC)

The term "Busy Hour Minutes of Capacity (BHMC)" denotes the customer specified maximum amount of Switched Access Service access minutes the customer expects to be handled in an end office switch during any hour in an 8:00 a.m. to 11:00 p.m. period for the Feature Group Service ordered. This customer specified BHMC quantity is the input data the Telephone Company uses to determine the number of transmission paths for the Feature Group Service ordered.

Carrier Identification Code (CIC)

The term "Carrier Identification Code (CIC)" denotes the caller's interexchange carrier to which the traffic should be directed.

Carrier or Common Carrier

See Interexchange Carrier.

Central Office

See End Office.

Central Office Maintenance Technician

The term "Central Office Maintenance Technician" denotes a Telephone Company employee who performs installation and/or repair work, including testing and trouble isolation, within the Telephone Company Central Office.

Central Office Prefix

The term "Central Office Prefix" denotes the first three digits (NXX) of the seven digit telephone number assigned to a customer's Telephone Exchange Service when dialed on a local basis.

Channel(s)

The term "Channel(s)" denotes an electrical or photonic, in the case of fiber optic-based transmission systems, communications path between two or more points of termination.

Effective: March 20, 2023

4001 Rodney Parham Rd.
Little Rock, AR 72212

ACCESS SERVICE

2. General Regulations (Cont'd)2.6 Definitions (Cont'd)Channel Service Unit

The term "Channel Service Unit" denotes equipment which performs one or more of the following functions: termination of a digital facility, regeneration of digital signals, detection and/or correction of signal format error, and remote loop back.

Channelize

The term "Channelize" denotes the process of multiplexing-demultiplexing wider bandwidth or higher speed channels into narrower band-width or lower speed channels.

Clear Channel Capability

The term "Clear Channel Capability" denotes the ability to transport twenty-four 64 Kbps over a DS1 Mbps High Capacity service via a B8ZS line code format.

Collocation Space

The term "Collocation Space" describes the area in a Telephone Company serving wire center set aside for the exclusive use of an Interconnector purchasing Expanded Interconnection. This space may be enclosed by a wall or cage. Only multiplexing or transmission equipment shall be placed in this space. See Multiplexing Node.

Committed Information Rate

The term "Committed Information Rate" denotes the transmission speed specified by the customer at which the Frame Relay Access Service network commits to transfer data between two ports.

Communications System

The term "Communications System" denotes channels and other facilities which are capable of communications between terminal equipment provided by other than the Telephone Company.

Cross-connect

The term "Cross-connect" denotes the connection between the Interconnector's multiplexing node and other access services of the Telephone Company.

Effective: March 20, 2023

4001 Rodney Parham Rd.
Little Rock, AR 72212

2. General Regulations (Cont'd)2.6 Definitions (Cont'd)Customer(s)

The term "Customer(s)" denotes any individual, partnership, association, joint-stock company, trust, corporation, or governmental entity or other entity which subscribes to the services offered under this guidebook, including but not limited to Interexchange Carriers (ICs), End Users and other telecommunications carriers or providers originating or terminating toll VoIP-PSTN traffic.

Customer Node

The Term "Customer Node" denotes the equipment located at a customer designated premises that terminates a high speed optical channel.

Customer Designated Premises

The term "Customer Designated Premises" denotes the premises specified by the customer for the provision of Access Service. Additionally, Telephone Company Centrex CO and CO-like switches and packet switches included in Public Packet Switching Network (PPSN) Service are considered to be a customer designated premises for purposes of this guidebook.

Customer of Record

The term "Customer of Record" denotes the entity who is ultimately responsible for all aspects of the service.

Data Transmission (107 Type) Test Line

The term "Data Transmission (107 Type) Test Line" denotes an arrangement which provides for a connection to a signal source which provides test signals for one-way testing of data and voice transmission parameters.

Density Pricing Zone

The term "Density Pricing Zone" denotes the group of serving wire centers to which a serving wire center has been assigned for traffic density-related pricing of specific access services. Serving wire centers are assigned to a zone based upon traffic density. The rate for a specific service may differ between zones.

Detail Billing

The term "Detail Billing" denotes the listing of each message and/or rate element for which charges to a customer are due on a bill prepared by the Telephone Company.

End Office

The term "End Office" denotes a local Telephone Company switching system where Telephone Exchange Service customer station loops are terminated for purposes of interconnection to each other and to trunks. This term includes Remote Switching Modules/Systems served by a Host Central Office in a different wire center.

Effective: March 20, 2023

Effective: March 20, 2023

4001 Rodney Parham Rd.
Little Rock, AR 72212

2. General Regulations (Cont'd)2.6 Definitions (Cont'd)End User

The term "End User" means any customer of an interstate or foreign telecommunications service that is not a carrier, except that a carrier other than a telephone company shall be deemed to be an "end user" when such carrier uses a telecommunications service for administrative purposes, and a person or entity that offers telecommunications service exclusively as a reseller shall be deemed to be an "end user" if all resale transmissions offered by such reseller originate on the premises of such reseller.

Exchange

The term "Exchange" denotes a unit generally smaller than a local access and transport area, established by the Telephone Company for the administration of communications service in a specified area which usually embraces a city, town or village and its environs. It consists of one or more central offices together with the associated facilities used in furnishing communications service within that area. The exchange includes any Extended Area Service area that is an enlargement of a Telephone Company's exchange area to include nearby exchanges. One or more

Expected Measured Loss

The term "Expected Measured Loss" denotes a calculated loss which specifies the end-to-end 1004-Hz loss on a terminated test connection between two readily accessible manual or remote test points. It is the sum of the inserted connection loss and test access loss including any test pads.

Extended PVC

The term "Extended PVC" denotes the interconnection of a port on a Telephone Company's frame relay network with a port on another interconnected Telephone Company's frame relay network.

Field Identifier

The term "Field Identifier" denotes two to four characters that are used on service orders to convey specific instructions. Field Identifiers may or may not have associated data. Selected Field Identifiers are used in Telephone Company billing systems to generate nonrecurring charges.

First Point of Switching

The term "First Point of Switching" denotes the first Telephone Company at which switching occurs on the terminating path of a call proceeding from the customer designated premises to the terminating end office and, at the same time, the last Telephone Company at which switching occurs on the originating path of a call proceeding from the originating end office to the customer designated premises.

Effective: March 20, 2023

4001 Rodney Parham Rd.
Little Rock, AR 72212

2. General Regulations (Cont'd)2.5 Definitions (Cont'd)Frame

The term "Frame" denotes a group of data bits in a specific format, which enables network equipment to recognize the meaning and purpose of the specific bits.

Frame Relay Access Connection

The Term "Frame Relay Access Connection" denotes the physical facility, including the associated port, between the end user's data terminal equipment and the Telephone Company's frame relay switch.

Frame Relay Access Service

The term "Frame Relay Access Service" denotes a medium-speed, connection-oriented packet-switched data service that allows for the interconnection of Local Area Networks or other compatible customer premises equipment for the purpose of connecting to an interstate frame relay network.

Frame Relay End User Port

The term "Frame Relay End User Port" denotes the physical location in the Telephone Company switching office where the Special Access facility of the customer connects to the Frame Relay Access Service network. It specifies how a frame relay switch sends and receives data from a frame relay end user customer's LAN or other compatible CPE devices.

Frame Relay Inter-network Connection

The term "Frame Relay Inter-network Connection" denotes the physical facility, including the associated port, between the access customer's frame relay network and the Telephone Company's frame relay switch.

Frame Relay Inter-network Customer Port

The term "Frame Relay Inter-network Customer Port" denotes the physical location in the Telephone Company switching office where the access customer's Special Access facility connects to the Telephone Company's Frame Relay Access Service network. It specifies how a frame relay switch sends and receives data from a frame relay access customer's network.

Frequency Shift

The term "Frequency Shift" denotes the change in the frequency of a tone as it is transmitted over a channel.

Effective: March 20, 2023

4001 Rodney Parham Rd.
Little Rock, AR 72212

2. General Regulations (Cont'd)2.6 Definitions (Cont'd)Host Central Office

The term "Host Central Office" denotes an electronic local Telephone Company End Office where Telephone Exchange Service customer station loops are terminated for purposes of interconnection to each other and to trunks. Additionally, this type of End Office contains the central call processing functions which service itself and its Remote Switching Modules/Systems.

Hub

A wire center at which bridging or multiplexing functions performed for customers served out of any wire center.

Immediately Available Funds

The term "Immediately Available Funds" denotes a corporate or personal check drawn on a bank account and funds which are available for use by the receiving party on the same day on which they are received and include U.S. Federal Reserve bank wire transfers, U.S. Federal Reserve notes (paper cash), U.S. coins, U.S. Postal Money Orders and New York Certificates of Deposit.

Impulse Noise

The term "Impulse Noise" denotes any momentary occurrence of the noise on a channel over a specified level threshold. It is evaluated by counting the number of occurrences which exceed the threshold.

Individual Case Basis

The term "Individual Case Basis" denotes a condition in which the regulations, if applicable, rates and charges for an offering under the provisions of this guidebook are developed based on the circumstances in each case.

Inserted Connection Loss

The term "Inserted Connection Loss" denotes the 1004 Hz power difference (in dB) between the maximum power available at the originating end and the actual power reaching the terminating end through the inserted connection.

Installation and Repair Technician

The term "Installation and Repair Technician" denotes a Telephone Company employee who performs installation and/or repair work, including testing and trouble isolation, outside of the Telephone Company Central Office and generally at the customer designated premises.

Interconnector

The term "Interconnector" denotes any customer of the Telephone Company who purchases Expanded Interconnection Service (EIS) and provides fiber optic or microwave facilities through a Telephone Company interconnection

Effective: March 20, 2023

point for connection to Interconnector owned or leased equipment located in the Telephone Company's Serving wire center.

2. General Regulations (Cont'd)

2.6 Definitions (Cont'd)

Interconnector's Facilities

The term "Interconnector's Facilities" denotes the telecommunications fiber optic cables, equipment and microwave equipment owned or leased by the Interconnector, whether installed by the Telephone Company or the Interconnector, for the sole use of the Interconnector in connection with equipment installed within its multiplexing node.

Interexchange Carrier (IC) or Interexchange Common Carrier

The terms "Interexchange Carrier" (IC) or "Interexchange Common Carrier" denotes any individual, partnership, association, joint-stock company, trust, governmental entity or corporation engaged for hire in interstate or foreign communication by wire or radio, between two or more exchanges.

Intermediate Hub

The term "Intermediate Hub" denotes a wire center at which bridging or multiplexing functions are performed only for customers served by that wire center and wire centers that subtend the hub, as specified in NATIONAL EXCHANGE CARRIER ASSOCIATION, INC. TARIFF F.C.C. NO. 4.

Intermodulation Distortion

The term "Intermodulation Distortion" denotes a measure of the nonlinearity of a channel. It is measured using four tones, and evaluating the ratios (in dB) of the transmitted composite four-tone signal power to the second-order products of the tones (R2), and the third-order products of the tones (R3).

Interstate Communications

The term "Interstate Communications" denotes both interstate and foreign communications.

Intrastate Communications

The term "Intrastate Communications" denotes any communications within a state subject to oversight by a state regulatory commission as provided by the laws of the state involved.

Interstate Telecommunications Service Provider

The term "Interstate Telecommunications Service Provider" denotes any individual, partnership, association, joint-stock company, trust, governmental entity or corporation engaged for hire in interstate or foreign communication by wire or radio, between two or more exchanges and includes Interexchange Carriers, Operator Service Providers, Enhanced Service Providers and any other provider of interstate telecommunications service.

Effective: March 20, 2023

2. General Regulations (Cont'd)2.6 Definitions (Cont'd)Legal Holiday

The term "Legal Holiday" denotes days other than Saturday or Sunday for which the Telephone Company is normally closed. These include New Year's Day, Independence Day, Thanksgiving Day, Christmas Day and a day when Washington's Birthday, Memorial Day or Columbus Day is legally observed and other locally observed holidays when the Telephone Company is closed.

Line Side Connection

The term "Line Side Connection" denotes a connection of a transmission path to the line side of a local exchange switching system.

Local Access and Transport Area (LATA)

The term "Local Access and Transport Area" denotes a geographic area established for the provision and administration of communications service. It encompasses one or more designated exchanges, which are grouped to serve common social, economic and other purposes.

Local Area Network

The term "Local Area Network" denotes a network permitting the interconnection and intercommunication of a group of computers.

Local Number Portability (LNP)

The term "Local Number Portability (LNP)" denotes the ability of an end user of local exchange telecommunications service to retain an existing telephone number without impairment of quality, reliability, or convenience when switching from one local exchange telecommunications carrier to another.

Location Routing Number (LRN)

The term "Location Routing Number (LRN)" denotes a unique NPA-NXX-XXXX that serves as a routing number associated with a central office switch that has subscribers that have transferred their telephone numbers from one local exchange telecommunications carrier to another.

Local Tandem Switch

The term "Local Tandem Switch" denotes a local Telephone Company switching unit by which local or access telephonic communications are switched to and from an End Office Switch.

Loop Around Test Line

The term "Loop Around Test Line" denotes an arrangement utilizing a Telephone Company central office to provide a means to make certain two-way transmission tests on a manual basis. This arrangement has two central office terminations, each reached by means of separate telephone numbers and does not require any specific customer premises equipment. Equipment subject to this test arrangement is at the discretion of the customer.

Effective: March 20, 2023

4001 Rodney Parham Rd.
Little Rock, AR 72212

2. General Regulations (Cont'd)2.6 Definitions (Cont'd)Loss Deviation

The term "Loss Deviation" denotes the variation of the actual loss from the designed value.

Manhole

The term "Manhole" denotes an underground enclosure where conduit(s) are terminated and which provides ready access to conduit system.

Major Fraction Thereof

The term "Major Fraction Thereof" denotes any period of time in excess of 1/2 of the stated amount of time. As an example, in considering a period of 24 hours, a major fraction thereof would be any period of time in excess of 12 hours exactly. Therefore, if a given service is interrupted for a period of thirty-six hours and fifteen minutes, the customer would be given a credit allowance for two twenty-four hour periods for a total of forty eight hours.

Media Stimulated Mass Calling Events

The term "Media Stimulated Mass Calling Events" denotes the use of Switched Access Service for calls to 800, 900, etc. telephone numbers in response to television and radio advertising for which a substantial call volume is anticipated during a short period of time. Media stimulated mass calling is highly peaked and often used in conjunction with call counting services for public opinion polls, marketing surveys, etc.

Milliwatt (102 Type) Test Line

The term "Milliwatt (102 Type) Test Line" denotes an arrangement in an end office which provides a 1004 Hz tone at 0 dBm0 for one-way transmission measurements towards the customers's premises from the Telephone Company end office.

Multifrequency (MF) Address Signaling

The term "Multifrequency (MF) Address Signaling" denotes a signaling method in which a combination of two out of six voiceband frequencies are used to represent a digit or a control signal.

Multiple Company Interconnection Point

The term "Multiple Company Interconnection Point" denotes a point in the Telephone Company's territory where its facilities meet and connect with the facilities of another telephone company. This point is used in determining the Billing Percentages for access service.

Effective: March 20, 2023

4001 Rodney Parham Rd.
Little Rock, AR 72212

2. General Regulations (Cont'd)2.6 Definitions (Cont'd)Multiplexing Node

The term "Multiplexing Node" denotes the area in a Telephone Company serving wire center set aside for the exclusive use of an Interconnector purchasing Physical Collocation Expanded Interconnection Service. This space may be enclosed by a wall or cage. The sole purpose of this multiplexing node is to allow the Interconnector to install, maintain, and operate only basic multiplexing or transmission equipment owned or leased by the Interconnector. The Telephone Company shall permit the Interconnector to connect fiber optic or microwave (where feasible) facilities to such Interconnector owned equipment within the multiplexing node. The size and dimensions of the multiplexing node shall be designated by the Telephone Company, as conditions permit. A good faith effort shall be made to accommodate specific requirements of the Interconnector.

N-1 Carrier

The term "N-1 Carrier" denotes the telecommunications carrier, prior to the terminating carrier, responsible for querying an LNP database to determine the routing of a call for a number portable NXX code.

Network Control Signaling

The term "Network Control Signaling" denotes the transmission of signals used in the telecommunications system which perform functions such as supervision (control, status, and charge signals), address signaling (e.g., dialing), calling and called number identifications, rate of flow, service selection error control and audible tone signals (call progress signals indicating re-order or busy conditions, alerting, coin denominations, coin collect and coin return tones) to control the operation of the telecommunications system.

National Security Emergency Preparedness (NSEP) Services

The term "National Security Emergency Preparedness (NSEP) Services" denotes telecommunications services which are used to maintain a state of readiness or to respond to and manage any event or crises (local, national or international), which causes or could cause injury or harm to the population, damage to or loss of property, or degrades or threatens the NSEP posture of the United States.

Network Control Signaling

The term "Network Control Signaling" denotes the transmission of signals used in the telecommunications system which perform functions such as supervision (control, status, and charge signals), address signaling (e.g., dialing), calling and called number identifications, rate of flow, service selection error control and audible tone signals (call progress signals indicating re-order or busy conditions, alerting, coin denominations, coin collect and coin return tones) to control the operation of the telecommunications system.

Effective: March 20, 2023

4001 Rodney Parham Rd.
Little Rock, AR 72212

2. General Regulations (Cont'd)2.6 Definitions (Cont'd)Nonsynchronous Test Line

The term "Nonsynchronous Test Line" denotes an arrangement in step-by-step end offices which provides operational tests which are not as complete as those provided by the synchronous test lines, but can be made more rapidly.

North American Numbering Plan

The term "North American Numbering Plan" denotes a three-digit area code (Numbering Plan Area - NPA) and a seven-digit telephone number made up of a three-digit Central Office prefix plus a four-digit station number.

Open Circuit Test Line

The term "Open Circuit Test Line" denotes an arrangement in an end office which provides an ac open circuit termination of a trunk or line by means of an inductor of several Henries.

Optical Carrier Channel

The term "Optical Carrier Channel" denotes the high speed optical communications path for transporting information utilizing a Synchronous Optical Channel platform. The channel is provided at transmission rates of 155.52 Mbps (OC3) and 622.08 Mbps (OC12).

Optical Carrier Rate (OC-N)

The term "Optical Carrier Rate" denotes the line rate being transmitted on an optical carrier channel. A SONET transmission rate is equivalent to "N" times the OC1 line rate of 51.84 Mbps.

Optical Carrier Rate Concatenated

The term "Optical Carrier Rate Concatenated" denotes the transmission of a combined signal formed by linking together multiple individual signals.

Optical Line Termination

The term "Optical Line Termination" denotes the network interface on the customer designated premises equipment that provides for an optical handoff.

Originating Direction

The term "Originating Direction" denotes the use of access service for the origination of calls from an End User Premises to an IC Premises.

OZZ Digits

The term "OZZ Digits" denotes the domestic call type (e.g., 1+), and thus the specific trunk group onto which a particular call should be routed.

Effective: March 20, 2023

4001 Rodney Parham Rd.
Little Rock, AR 72212

2. General Regulations (Cont'd)2.6 Definitions (Cont'd)Permanent Virtual Connection (PVC)

The term "PVC" denotes a software defined communications path between two port connections within the Frame Relay Access Service network.

Phase Jitter

The term "Phase Jitter" denotes the unwanted phase variations of a signal.

Physical Collocation

The term "Physical Collocation" denotes the provision of an area in a Telephone Company serving wire center that is dedicated to the use of an Interconnector. Physical Collocation allows the Interconnector to install and maintain its own transmission facilities (fiber optic or microwave), and multiplexing equipment. Connection to other services of the Telephone Company is made through a cross-connect.

Point of Termination

The term "Point of Termination" denotes the point of demarcation within a customer-designated premises at which the Telephone Company's responsibility for the provision of Access Service ends.

POTS Splitter

The term "POTS Splitter" denotes a passive band filter that divides the frequency transmitted over a customers local exchange facility.

Premises

The term "Premises" denotes a building or buildings on continuous property (except Railroad Right-of-Way, etc.) not separated by a public highway.

Query

The term "Query" denotes the inquiry to a data base to obtain information, processing instructions or service data.

Rate Zone

See Density Pricing Zone.

Release Message

The term "Release Message" denotes an SS7 message sent in either direction to indicate that a specific circuit is being released.

Remote Switching Modules/Systems

The term "Remote Switching Modules/Systems" denotes small, remotely controlled electronic end office switches which obtain their call processing capability from an electronic Host Central Office. The Remote Switching Modules/Systems cannot accommodate direct trunks to an IC.

Effective: March 20, 2023

4001 Rodney Parham Rd.
Little Rock, AR 72212

2. General Regulations (Cont'd)2.6 Definitions (Cont'd)Return Loss

The term "Return Loss" denotes a measure of the similarity between the two impedances at the junction of two transmission paths. The higher the return loss, the higher the similarity.

Registered Equipment

The term "Registered Equipment" denotes the customer's premises equipment which complies with and has been approved within the Registration Provisions of Part 68 of the F.C.C.'s Rules and Regulations.

Service Access Code

The term "Service Access Code" denotes a 3 digit code in the NPA format which is used as the first three digits of a 10 digit address and which is assigned for special network uses. Whereas NPA codes are normally used for identifying specific geographical areas, certain Service Access Codes have been allocated in the North American Numbering Plan to identify generic services or to provide access capability. Examples of Service Access Codes include the 500, 700 and 900 codes.

Service Switching Point (SSP)

A Service Switching Point denotes an end office or tandem which, in addition to having SS7 and SP capabilities, is also equipped to query centralized data bases.

Serving Wire Center

The term "Serving Wire Center" means the telephone company central office designated by the telephone company to serve the geographic area in which the interexchange carrier or other access customer's point of demarcation is located.

Seven Digit Manual Test Line

The term "Seven Digit Manual Test Line" denotes an arrangement which allows the Customer to select balance, milliwatt and synchronous test lines by manually dialing a seven digit number over the associated access connection.

Shortage of Facilities or Equipment

The term "Shortage of Facilities or Equipment" denotes a condition which occurs when the Telephone Company does not have appropriate cable, switching capacity, bridging or, multiplexing equipment, etc., necessary to provide the Access Service requested by the customer.

Effective: March 20, 2023

4001 Rodney Parham Rd.
Little Rock, AR 72212

2. General Regulations (Cont'd)2.6 Definitions (Cont'd)Short Circuit Test Line

The term "Short Circuit Test Line" denotes an arrangement in an end office which provides for an ac short circuit termination of a trunk or line by means of a capacitor of at least four microfarads.

Signal-to-C-Notched Noise Ratio

The term "Signal-to-C-Notched Noise Ratio" denotes the ratio in dB of a test signal to the corresponding C-Notched Noise.

Signaling Point (SP)

The term "Signaling Point (SP)" denotes a switch in the CCS network that is capable of originating and terminating SS7 trunk signaling messages.

Signaling Point of Interface (SPOI)

The term "Signaling Point of Interface (SPOI)" denotes the customer designated location where the SS7 signaling information is exchanged between the Telephone Company and the customer.

Signaling Return Loss

The term "Signaling Return Loss" denotes the frequency weighted measure of return loss at the edges of the voiceband (200 to 500 Hz and 2500 to 3200 Hz), where signing (instability) problems are most likely to occur.

Signaling System 7 (SS7)

The term "Signaling System 7 (SS7)" denotes the layered protocol used for standardized common channel signaling in the United States and Puerto Rico.

Signal Transfer Point (STP)

The term "Signal Transfer Point (STP)" denotes a packet switch which provides access to the Telephone Company's SS7 network and performs SS7 message signal routing and screening.

Signal Transfer Point (STP) Port

The term "Signal Transfer Point (STP) Port" denotes the point of termination and interconnection to the STP.

Effective: March 20, 2023

4001 Rodney Parham Rd.
Little Rock, AR 72212

2. General Regulations (Cont'd)2.6 Definitions (Cont'd)Singing Return Loss

The term "Singing Return Loss" denotes the frequency weighted measure of return loss at the edges of the voiceband (200 to 500 Hz and 2500 to 3200 Hz), where singing (instability) problems are most likely to occur.

Special Order

The term "Special Order" denotes an order for a Directory Assistance Service.

Standard PVC

The term "Standard PVC" denotes the connection of ports within the same Telephone Company frame relay network.

Study Area

The term "Study Area" denotes a geographic area within a state in which a Telephone Company operates. This geographic area normally does not cross state lines.

Subtending End Office of an Access Tandem

The term "Subtending End Office of an Access Tandem" denotes an end office that has final trunk group routing through that tandem.

Super Intermediate Hub

The term "Super Intermediate Hub" denotes a wire center at which bridging or multiplexing functions are performed for Customers served by all wire centers in the LATA. A Super Intermediate Hub can be restricted to one or more designated NPAs within a LATA and/or to wire centers that are owned by the same telephone company as the hub. Super Intermediate Hubs and the wire centers they serve are identified in NATIONAL EXCHANGE CARRIER ASSOCIATION, INC. Tariff F.C.C. No. 4.

Synchronous Optical Network (SONET)

The term "SONET" denotes a North American Standard for high speed synchronous optical channels having minimum transmission rates of 51.84 Mbps. The standard SONET optical carrier rate of 51.84 Mbps is called OC1; the equivalent electrical signal rate is called STS-1. SONET standardizes higher transmission bit rates, "OCN", as exact multiples of OC1 (NX51.84 Mbps.). For example, OC3 equals 3 X 51.84 Mbps.

Synchronous Test Line

The term "Synchronous Test Line" denotes an arrangement in an end office which performs marginal operational tests of supervisory and ring-tripping functions.

Effective: March 20, 2023

4001 Rodney Parham Rd.
Little Rock, AR 72212

2. General Regulations (Cont'd)2.6 Definitions (Cont'd)Synchronous Transport Signal (STS)

The term "Synchronous Transport Signal" denotes a 51.84 Mbps. Electrical signal used within the SONET optical carrier network. The signal consists of the information content and the overhead used by SONET. The overhead is used for controlling, framing, and maintaining the STS signal so it can be directly connected to other SONET carrier channels. STS signals are in exact multiples of 51.84 Mbps. (STS-1 is 51.84 Mbps., STS-3 is 155.52 Mbps, etc.).

Tandem-Switched Transport

The term "Tandem-Switched Transport" denotes switched access transport from the serving wire center to the end office or from the tandem to the end office that is switched at a tandem switch.

Telecommunications Service Priority (TSP) System

The term "Telecommunications Service Priority (TSP) System" or "TSP System" or "NSEP TSP System" refers to the regulatory, administrative and operational system authorizing and providing for priority treatment (i.e., the provisioning and restoration) of NSEP Services.

Telecommunications Service Provider

The term "Telecommunications Service Provider" denotes interexchange carriers, operator service providers, enhanced service providers, and any other providers of telecommunications services.

Terminating Direction

The term "Terminating Direction" denotes the use of Access Service for the completion of calls from an IC premises to an End User Premises.

Terminus Hub

The term "Terminus Hub" denotes a wire center at which bridging or multiplexing functions are performed only for Customers served directly by the same wire center.

Third Party Call

The term "Third Party Call" denotes a call for which the calling party requests the interexchange carrier to bill the call to the line number of the third party.

Throughput

The term "Throughput" denotes the number of data bits successfully transferred in one direction per unit of time.

Effective: March 20, 2023

2. General Regulations (Cont'd)2.6 Definitions (Cont'd)Transmission Measuring (105 Type) Test Line/Responder

The term "Transmission Measuring (105 Type) Test Line/Responder" denotes an arrangement in an end office which provides far-end access to a responder and permits two-way loss and noise measurements to be made on trunks from a near end office.

Transmission Path

The term "Transmission Path" denotes an electrical path capable of transmitting signals within the range of the service offering, e.g., a voice grade transmission path is capable of transmitting voice frequencies within the approximate range of 300 to 3000 Hz. A transmission path is comprised of physical or derived facilities consisting of any form or configuration of plant typically used in the telecommunications industry.

Uniform Service Order Code

The term "Uniform Service Order Code" denotes a three or five character alphabetic, or an alphanumeric code that identifies a specific item of service or equipment. Uniform Service Order Codes are used in the Telephone Company billing system to generate recurring rates and nonrecurring charges.

V and H Coordinates Method

The term "V and H Coordinates Method" denotes a method of computing airline miles between two points by utilizing an established formula which is based on the vertical and horizontal coordinates of the two points.

WATS Serving Office

The term "WATS Serving Office" denotes a Telephone Company designated serving wire center where switching, screening and/or recording functions are performed in connection with the closed-end of WATS or WATS-type services.

Wireless Switching Center

The term "Wireless Switching Center" (WSC) denotes a Wireless Service Provider (WSP) switching system that is used to terminate wireless stations for purposes of interconnection to each other and to trunks interfacing with the public switched network.

Wire Center

The term "Wire Center" denotes a building in which one or more central offices, used for the provision of Telephone Exchange Services, are located.

Effective: March 20, 2023

4001 Rodney Parham Rd.
Little Rock, AR 72212

3. RESERVED FOR FUTURE USE

Effective: March 20, 2023

4001 Rodney Parham Rd.
Little Rock, AR 72212

4. RESERVED FOR FUTURE USE

Effective: March 20, 2023

4001 Rodney Parham Rd.
Little Rock, AR 72212

5. Access Ordering5.1 General

This section sets forth the regulations and order related charges for services set forth in other sections of this guidebook. Order related charges are in addition to other applicable charges for the services provided.

An Access Order is an order to provide the customer with Special Access, and Public Packet Data Network or Access Related Service or to provide changes to existing services.

A customer may order any number of services of the same type and between the same premises on a single Access Order. All details for services for a particular order must be identical except for those for multipoint service.

The customer shall provide to the Telephone Company the order information required in 5.2 following, and in addition the customer must also provide:

- Customer name and premises address(es).
- Billing name and address (when different from customer name and address).
- Customer contact name(s) and telephone number(s) for the following provisioning activities: order negotiation, order confirmation, interactive design, installation and billing.

5.1.1 Service Installation

The Telephone Company will provide the Access Service in accordance with the customer's requested service date, subject to the constraints established by the Telephone Company schedule of applicable service dates.

The Telephone Company shall make available to all customers, upon request, a schedule of applicable service intervals for Special Access Services. The schedule shall specify the applicable service interval for services and the quantities of services that can be provided by a requested service date. Any associated material will be provided upon request and within a reasonable period of time.

The Telephone Company will not accept orders for service dates which exceed the applicable service date by more than six months.

Access Services will be installed during Telephone Company business days. If a customer requests that installation be done outside of scheduled work hours, and the Telephone Company agrees to this request, the customer will be subject to applicable Additional Labor Charges as set forth in 17.2.3 following.

Effective: March 20, 2023

4001 Rodney Parham Rd.
Little Rock, AR 72212

5. Access Ordering (Cont'd)5.1 General (Cont'd)5.1.2 Expedited Orders

When placing an Access Order, a customer may request a service date that is prior to the applicable service date. Additionally, a customer may also request an earlier service date on a pending Access Order. In this case, an access order modification as set forth in 5.4 following would be required. If the Telephone Company determines that the service can be provided on the requested date and that additional labor cost or extraordinary costs are required to meet the requested service date, the customer will be notified and will be provided with an estimate of the additional charges involved. Charges will be billed at actual cost, not to exceed 10 percent over estimated charges. Such additional charges will be determined and billed to the customer as explained following.

To calculate the additional labor charges, the Telephone Company will, upon authorization from the customer to incur the additional labor charges, keep track of the additional labor hours used to meet the request of the customer and will bill the customer at the applicable Additional Labor charges as set forth in 17.2.3 following.

To develop, determine and bill the customer the extraordinary costs which may be involved, Special Construction terms and conditions may be required. Authorization to incur the costs and to bill the customer will be in accordance with such guidebooks.

When the request for expediting occurs subsequent to the issuance of the Access Order, a Service Date Change Charge as set forth in 17.2.1(B) following also applies.

5.1.3 Selection of Facilities for Access Orders

The option to request a specific transmission path or channel is provided for High Capacity Special Access Facilities, or as provided for under Special Facilities Routing as set forth in Section 11. following.

When there are High Capacity facilities to a hub on order or in service for the customer's use, the customer may request a specific channel or transmission path be used to provide the Special Access Service requested in an Access Order. The Telephone Company will make a reasonable effort to accommodate the customer request.

5.1.4 Special Construction

The regulations, rates and charges for special construction are set forth in WINDSTREAM COMMUNICATIONS TARIFF F.C.C. No. 2, WINDSTREAM COMMUNICATIONS TARIFF F.C.C. No. 5 and VALOR TELECOMMUNICATIONS ENTERPRISES LLC TARIFF F.C.C. No.

Effective: March 20, 2023

4001 Rodney Parham Rd.
Little Rock, AR 72212

2 and are in addition to the regulations, rates and charges specified in this section.

5. Access Ordering (Cont'd)

5.2 Ordering Requirements (Cont'd)

5.2.2 Special Access Service

When placing an order for Special Access Service the customer must specify:

- the customer designated premises or hubs, or ADM equipped wire centers involved
- type of service (e.g., Voice Grade, High Capacity, etc.)
- the channel interface(s)
- technical specification package
- options desired
- for multipoint services, the channel interface at each customer designated premises may, at the request of the customer, be different but all such interfaces shall be compatible.
- that the traffic consists of more than ten percent interstate traffic.
- for term discount plans, the customer must populate the Variable Term Agreement (VTA) field on the Access Service Request (ASR) Form.

All part-time Video and Program Audio services are subject to a service inquiry. A service inquiry is a request to the Telephone Company to determine if facilities exist to provide the service ordered and to determine the service date on which service can be provided to the customer.

Where the Special Access Service is exempt from the Special Access Surcharge, as set forth in 7.3 following the customer shall furnish written certification to that effect as set forth in 7.3.3 following.

When ordering bridging and/or multiplexing, the Customer must specify the telephone company hub(s) from which they desire service. The Customer must specify only those hubs that provide the type of service ordered and interconnect with the wire center(s) from which the customer requires service. The Wire Center section of NATIONAL EXCHANGE CARRIER ASSOCIATION, INC. TARIFF F.C.C. NO. 4 identifies hub types and multiplexing functions (e.g., Digital Data, High Capacity Multiplexing, Add/Drop Multiplexing) as well as hub levels (i.e., Hub, Terminus Hub, Intermediate Hub and Super-Intermediate Hub). Additionally, the Subtending section of Tariff F.C.C. No. 4 identifies wire centers and the Intermediate and/or Super-Intermediate Hubs with which they interconnect.

Effective: March 20, 2023

4001 Rodney Parham Rd.
Little Rock, AR 72212

5. Access Ordering (Cont'd)5.2 Ordering Requirements (Cont'd)5.2.3 WATS or WATS-Type Services

Special Access Service may be ordered for connection with FGA, FGB, FGC or FGD Switched Access Service at Telephone Company designated WATS Serving Offices (WSOs) for the provision of WATS or WATS-type Services and may be ordered separately by a customer other than the customer which orders the FGA, FGB, FGC or FGD Switched Access Service. For the Special Access Service the customer shall specify:

- the customer designated premises at which the Special Access service terminates
- the type of line (i.e., two-wire or four-wire)
- the type of calling (i.e., originating, terminating or two-way)
- type of Supervisory Signaling.

When the optional screening, switching and/or recording functions are not provided at the customer serving wire center, Channel Mileage, as set forth in 7.2.1(B) following, must be ordered between that wire center and the nearest WSO where the screening, switching and/or recording functions can be provided.

5.2.4 Mixed Use Facilities - Switched and Special Access

Mixed use is the provision of both Switched and Special Access Services over the same High Capacity or Synchronous Optical Channel facilities. Mixed use facilities to a or ADM equipped wire center will be ordered and provided as Special Access Service. Where mixed use is employed, individual services utilizing these facilities must be ordered either as Switched Access Service or Special Access Service as further elaborated and set forth in 6.4.7 and 7.2.7 following. When placing the order for the individual service(s), the customer must specify a channel assignment for each service ordered.

5.2.5 Miscellaneous Services

Testing Service, Additional Labor, Telecommunications Service Priority and Special Facilities Routing shall be ordered with an Access Order or may subsequently be added to a pending order at any time up to and including the service date for the access service. When miscellaneous services are added to a pending order a service date change may be required. When a service date change is required, the service date change charge as set forth in 17.2.1(B) following will apply. When miscellaneous services are added to a pending order, charges for a design change as set forth in 17.2.1(C) following will apply when an engineering review is required. If both a service date change and an engineering review are required, both the Service Date Change Charge and the Design Change Charge will apply as set forth in 5.4.3(B) following.

Effective: March 20, 2023

4001 Rodney Parham Rd.
Little Rock, AR 72212

5. Access Ordering (Cont'd)5.2 Ordering Requirements (Cont'd)5.2.5 Miscellaneous Services (Cont'd)

The rates and charges for these services, as set forth in Section 17. of this guidebook, will apply in addition to the ordering charges set forth in Section 17. and the rates and charges for the Access Service with which they are associated.

Additional Engineering is not an ordering option, but will be applied to an Access Order when the Telephone Company determines that Additional Engineering is necessary to accommodate a customer request. Additional Engineering will only be required as set forth in 13.1 following. When it is required, the customer will be so notified and will be furnished with a written statement setting forth the justification for the Additional Engineering as well as an estimate of the charges. If the customer agrees to the Additional Engineering, a firm order will be established. If the customer does not want the service or facilities after being notified that Additional Engineering of Telephone Company facilities is required, the order will be withdrawn and no charges will apply. Once a firm order has been established, the total charge to the customer for the Additional Engineering may not exceed the estimated amount by more than 10%.

Effective: March 20, 2023

4001 Rodney Parham Rd.
Little Rock, AR 72212

5. Access Ordering (Cont'd)5.2 Ordering Requirements (Cont'd)5.2.6 Frame Relay Access Service

When ordering Frame Relay Access Service, where available as (T) noted in Section 17.2.8, a minimum of two port connections are required for data to be transported between customer designated premises.

When placing an order for Frame Relay Access Service the customer must specify:

- the customer designated premises;
- the type of channel;
- the channel interface(s);
- the technical specification package and options desired;
- whether a Frame Relay Access Connection (i.e., user-to-network interface) or a Frame Relay Inter-network Connection (i.e., network-to-network interface) is required;
- the port speed;
- the number of Permanent Virtual Connections (PVCs) required;
- the location of the ports for each PVC or for connection to DSL Access Services, the location of the port and the DSL Access Service Connection Point;
- the Committed Information Rates (CIRs) that will be associated with each PVC;
- that the traffic consists of more than ten percent interstate traffic.

The port connecting the Special Access facility to the Telephone Company frame relay switch must be ordered and provided at the same speed as the Special Access facility.

When connecting to the port of another customer, the ordering customer must obtain authorization from the other customer.

When an extended PVC is ordered, the customer is responsible for placing the order with all telephone companies involved.

Effective: March 20, 2023

4001 Rodney Parham Rd.
Little Rock, AR 72212

5. Access Ordering (Cont'd)5.3 Access Orders For Services Provided By More Than One Telephone Company

Access Services provided by more than one Telephone Company are services where one end of the Local Transport, Directory Transport or Channel Mileage element is in the operating territory of one Telephone Company and the other end of the element is in the operating territory of a different Telephone Company or where the Interim NXX Translation service and the end office are not provided by the same Telephone Company.

5.3.1 Meet Point Billing Ordering

Each Telephone Company will provide its portion of the Access Service within its operating territory to an interconnection point(s) with the other Telephone Company(s). Billing Percentages will be determined by the Telephone Companies involved in providing the Access Service and listed in NATIONAL EXCHANGE CARRIER ASSOCIATION, INC. TARIFF F.C.C. NO. 4. Each Telephone Company will bill the customer for its portion of the service as set forth in 2.4.7. All other appropriate charges in each Telephone Company guidebook are applicable.

In addition to the service ordering provisions following, the customer must also provide a copy of the order to any other Telephone Company(s) involved in providing the service.

- (A) Customers ordering Special Access Service to be interconnected with Switched Access Services at Telephone Company designated WATS Serving Offices for the provision of WATS or WATS-type Services must place an order with each Telephone Company in whose territory the end office and the WATS Serving Office are located, if they are not collocated.
- (B) Except for Special Access Service as set forth in (A) above or as set forth in (C) below, the customer may place the order for a Special Access Service with either Exchange Telephone Company.
- (C) For Special Access Service involving a hub(s) the customer must place the order with the Telephone Company(s) in whose territory the hub(s) is located.
- (D) For initiation, additions, changes or deletions to the Interim NXX Translation code(s), the customer must place an order with the Telephone Company who provides the Interim NXX Translation. The customer must also provide a copy of the order to the Telephone Companies subtending the Interim NXX Translation office.
- (E) For a Special Access Service connection to a frame relay network, where available, the customer must place the order with the Telephone Company that provides the frame relay switch. Special Access Service in this situation must be ordered to the wire center equipped with a frame relay switch.

Effective: March 20, 2023

4001 Rodney Parham Rd.
Little Rock, AR 72212

5. Access Ordering (Cont'd)5.4 Charges Associated with Access Ordering5.4.1 Access Order Charge

The Access Order Charge is applied to all customer requests for new Special Access Service. In addition, the Access Order Charge is applicable to customer requests for additions, changes or rearrangements to existing Special Access Service with the following exceptions:

The Access Order Charge will be applied on a per order basis to each order received by the Telephone Company or copy of an order received by the Telephone Company pursuant to preceding, and is in addition to other applicable charges as set forth in this and other sections of this guidebook.

The Access Order Charge will be applied on a per order basis for any change, rearrangement or addition to the delivery of signaling information to the customer.

The Access Order Charge does not apply:

- When a Service Date Change Charge is applicable.
- When a Design Change Charge is applicable.
- To administrative changes as set forth in 7.2.2(C)(3) following.
- When a change to a pending order does not result in the cancellation of the pending order and the issuance of a new order.
- When a Miscellaneous Service Order Charge is applicable.
- When a Telephone Company initiated network reconfiguration requires a customer's existing access service to be reconfigured.
- When a service with an ICB rate is converted to a similar service with a non-ICB guidebook rate prior to the expiration of the ICB.

Effective: March 20, 2023

4001 Rodney Parham Rd.
Little Rock, AR 72212

5. Access Ordering (Cont'd)5.4 Charges Associated with Access Ordering (Cont'd)5.4.2 Miscellaneous Service Order Charge

- A Miscellaneous Service Order Charge, as set forth in 17.2.1(D) following, applies to any service, or combination of services ordered simultaneously from Section 13 of the Guidebook for which a service order is not already pending

The Miscellaneous Service Order Charge is an administrative charge designed to compensate for the expenses associated with service order issuance.

The charge always applies to the following services since a pending service order would not exist:

- Overtime Repair (13.2.2),
- Standby Repair (13.2.3),
- Testing and Maintenance with Other Telephone Companies other than when in conjunction with Acceptance Testing (13.2.4),
- Other Labor (13.2.5),
- Maintenance of Service (13.3.2).
- Originating Line Screening (OLS) Service (13.9)

The Miscellaneous Service Order Charge will also apply to the following services if they are ordered subsequent to the initial installation of the associated access service, thereby necessitating the issuance of another service order:

- Telecommunications Service Priority (13.3.3),

The charge does not apply to the following services since there would exist a pending service order:

- Additional Engineering (13.1),
- Overtime Installation (13.2.1),
- Standby Acceptance Testing (13.2.3),
- Testing and Maintenance with Other Telephone Companies when in conjunction with Acceptance Testing (13.2.4),
- Additional Cooperative Acceptance Testing [13.3.1(A) (1) and 13.3.1(B) (1)].

Effective: March 20, 2023

4001 Rodney Parham Rd.
Little Rock, AR 72212

5. Access Ordering (Cont'd)5.4 Charges Associated with Access Ordering (Cont'd)5.4.3 Access Order Change Charges

Access Order changes involve service date changes and design changes. The customer may request a change of its Access Order prior to the service date. The Telephone Company will make every effort to accommodate a requested change when it is able to do so with the normal work force assigned to complete such an order within normal business hours. If the change cannot be made with the normal work force during normal business hours, the Telephone Company will notify the customer. If the customer still desires the Access Order change, the Telephone Company will schedule a new service date as set forth in 5.1.2 preceding. All charges for Access Order change as set forth in 17.2.1(B) and (C) will apply on a per occurrence basis.

Any increase in the number of Special Access Service channels will be treated as a new Access Order (for the increased amount only).

If order changes are necessary to satisfy the transmission performance for a Special Access Service ordered by a customer, these changes will be made without order change charges being incurred by the customer.

Effective: March 20, 2023

4001 Rodney Parham Rd.
Little Rock, AR 72212

5. Access Ordering (Cont'd)5.4 Charges Associated with Access Ordering (Cont'd)5.4.3 Access Order Change Charges (Cont'd)(A) Service Date Change

The customer may request a change of service date on a pending Access Order prior to the service date. A change of service date is a change of the scheduled service date by the customer to either an earlier date or a later date which does not exceed 30 calendar days from the original service date.

If the Telephone Company determines that the customer's request can be accommodated without delaying the service dates for orders of other customers, the service date will be changed and the Service Date Change Charge, as set forth in 17.2.1(B) following, will be applied to the order.

If the service date is changed to an earlier date, and the Telephone Company determines additional labor or extraordinary costs are necessary to meet the earlier service date requested by the customer, the customer will be notified by the Telephone Company that Expedited Order Charges as set forth in 5.1.2 preceding apply. Such charges will apply in addition to the Service Date Change Charge.

If the requested service date exceeds 30 calendar days following the original service date, and the Telephone Company determines that the customer's request can be accommodated, the Telephone Company will cancel the original order and apply the Cancellation Charges as set forth in 5.5.3 following. A new Access Order with a new service date will be issued. The Service Date Change Charge will not apply, however, the Access Order Charge will apply to the new order.

If the service date is changed due to a design change as set forth in (B) following, the Service Date Change Charge will apply.

Effective: March 20, 2023

4001 Rodney Parham Rd.
Little Rock, AR 72212

5. Access Ordering (Cont'd)5.4 Charges Associated with Access Ordering (Cont'd)5.4.3 Access Order Change Charges (Cont'd)(B) Design Change

The customer may request a design change to the service ordered prior to the requested service date. A design change is any change to an Access Order which requires engineering review. An engineering review is a review by Telephone Company personnel, of the service ordered and the requested changes to determine what changes in the design, if any, are necessary to meet the changes requested by the customer. Design changes include such things as the addition or deletion of optional features or functions, type of channel interface, type of Interface Group or technical specification package. Design changes do not include a change of customer designated premises or Special Access Service channel type. Changes of this nature will require the issuance of a new order and the cancellation of the original order with appropriate cancellation charges applied.

The Telephone Company will review the requested change, notify the customer whether the change is a design change, if the change can be accommodated and if a new service date is required. If the customer authorizes the Telephone Company to proceed with the design change, a Design Change Charge as set forth in 17.2.1(C) following will apply in addition to the charge for Additional Engineering as set forth in 17.2.2 following. If a change of service date is required, the Service Date Change Charge as set forth in 17.2.1(B) following will also apply. The Access Order Charge as specified in 17.2.1 following does not apply.

5.5 Minimum Periods and Cancellations5.5.1 Minimum Periods

The minimum period for part-time Video and Program Audio Special Access Services is one day even though the service will be provided only for the duration of the event specified on the order (e.g., one-half hour, two hours, five hours, etc.).

The minimum period for Special Access High Capacity Service and Synchronous Optical Channel Service is as set forth in 7.2.4 following. The minimum period for Ethernet Virtual LAN

Service is as set forth in 23.3 following.

The minimum period for which all other Access Service not under a Service Discount Plan is provided and for which charges are applicable, is one month. Services under a 5.

Effective: March 20, 2023

4001 Rodney Parham Rd.
Little Rock, AR 72212

5. Access Ordering (Cont'd)5.5 Minimum Periods and Cancellations (Cont'd)5.5.1 Minimum Periods (Cont'd)

Service Discount Plan described in 7.2.8 or following, have the following minimum periods:

- 12 Months for High Capacity 1.544 Mbps (DS1)
- 12 Months for High Capacity 44.736 Mbps (DS3)
- 12 Months for Synchronous Optical Channel 155.52 Mbps (OC3)
- 12 Months for Synchronous Optical Channel 622.08 Mbps (OC12)

5.5.2 Development of Minimum Period Charges

When Access Service is disconnected after commencement of service but prior to the expiration of the minimum period, charges are applicable for the balance of the minimum period. A disconnect constitutes facilities being returned to available inventory.

The Minimum Period Charge for monthly billed services will be determined as follows:

- (A) For Special Access Service, the charge for a month or fraction thereof is the applicable monthly rates for the appropriate channel type plus any optional features, nonrecurring and/or special construction charge(s) that may apply.
- (B) The Minimum Period Charge for part-time Video and Program Audio Services is the applicable daily rate for the appropriate channel type as set forth in 7.2.4 following.

5.5.3 Cancellation of an Access Order

- (A) A customer may cancel an Access Order for the installation of service on any date prior to the service date. The cancellation date is the date the Telephone Company receives written or verbal notice from the customer that the order is to be cancelled. The verbal notice must be followed by written confirmation within 10 days. If a customer or a customer's end user is unable to accept Access Service within 30 calendar days after the original service date, the customer has the choice of the following options:

- The Access Order shall be cancelled and charges set forth in (B) following will apply or,
- Billing for the service will commence.

In such instances, the cancellation date or the billing date, depending on which option is selected by the customer, shall be the 31st day beyond the original service date of the Access Order.

Effective: March 20, 2023

4001 Rodney Parham Rd.
Little Rock, AR 72212

5. Access Ordering (Cont'd)5.5 Minimum Period and Cancellations (Cont'd)5.5.3 Cancellation of an Access Order (Cont'd)

- (B) When a customer cancels an Access Order for the installation of service, a Cancellation Charge will apply as follows:
- (1) Installation of Special Access Service facilities is considered to have started when the Telephone Company incurs any cost in connection therewith or in preparation thereof which would not otherwise have been incurred.
 - (2) Where the customer cancels an Access Order prior to the start of installation of access facilities, no charges shall apply.
 - (3) Where installation of access facilities has been started prior to the cancellation, the charges specified in (a) or (b) following, whichever is lower, shall apply.
 - (a) A charge equal to the costs incurred in such installation, less estimated net salvage. Such costs include the nonrecoverable cost of equipment and material ordered, provided or used, plus the nonrecoverable cost of installation and removal including the costs of engineering, labor, supervision, transportation, rights-of-way and other associated costs;
 - (b) The charges for minimum r Special Access Service ordered by the customer, as set forth in 5.5.2 preceding:
- (C) When a customer cancels an order for the discontinuance of service, no charges apply for the cancellation.
- (D) If the Telephone Company misses a service date by more than 30 days and such delay is not requested or caused by the customer (excluding those circumstances where the date is missed due to acts of God, governmental requirements, work stoppages and civil commotions), the customer may cancel the Access Order without incurring cancellation charges.

5.5.4 Partial Cancellation Charge

Any decrease in the number of ordered Special Access Service channels will be treated as a partial cancellation and charges will be determined as set forth in 5.5.3(B) preceding.

Effective: March 20, 2023

4001 Rodney Parham Rd.
Little Rock, AR 72212

6. RESERVED FOR FUTURE USE

Effective: March 20, 2023

4001 Rodney Parham Rd.
Little Rock, AR 72212

7. Special Access Service7.1 General

Special Access Service provides a transmission path to connect customer designated premises, directly, or through a Telephone Company hub or hubs where bridging or multiplexing functions are performed, or to connect a customer designated premises and a WATS Serving Office, or to connect a customer designated premises to a Public Packet Data Network Service. Special Access Service includes all exchange access not utilizing Telephone Company end office switches.

The connections provided by Special Access Service can be analog, digital or optical. Analog connections are differentiated by spectrum and bandwidth. Digital and optical connections are differentiated by bit rate.

Special Access Service purchased from the provisions of this guidebook may be commingled with unbundled network elements or unbundled network element combinations purchased pursuant to the Commission's Part 51 Interconnection Rules and in compliance with the Federal Communications Commission's Report and Order and Order on Remand and Further Notice of Proposed Rulemaking in CC Docket Nos. 01-338, 96-98 and 98-147, adopted February 20, 2003 and released August 21, 2003 (FCC 03-36).

7.1.1 Channel Types

There are eight types of channels used to provide Special Access Services. Each type has its own characteristics. All are subdivided by one or more of the following:

- Transmission specifications,
- Bandwidth,
- Speed (i.e., bit rate),
- Spectrum

Customers can order a basic channel and select from a list of those available transmission parameters and channel interfaces that they desire in order to meet specific communications requirements.

For purposes of ordering channels, each has been identified as a type of Special Access Service. However, such identification is not intended to limit a customer's use of the channel nor to imply that the channel is limited to a particular use. For example, if a customer's equipment is capable of transmitting voice over a channel that is identified as a Metallic Service in this guidebook, there is no restriction against doing so

7. Special Access Service (Cont'd)7.1 General (Cont'd)7.1.1 Channel Types (Cont'd)

Following is a brief description of each type of channel available in this guidebook:

Metallic - a channel for the transmission of low speed varying signals at rates up to 30 baud.

Telegraph Grade - a channel for the transmission of binary signals at rates of 0 to 75 baud or 0 to 150 baud.

Voice Grade - a channel for the transmission of analog signals within an approximate bandwidth of 300 to 3000 Hz.

Program Audio - a channel for the transmission of audio signals. The nominal frequency bandwidths are from 200 to 3500 Hz, from 100 to 5000 Hz, from 50 to 8000 Hz, or from 50 to 15000 Hz.

Video - a channel for the transmission of standard 525 line 60 field monochrome or National Television Systems Committee color video signal and one or two associated 5 or 15 kHz audio signals. The bandwidth is either 30 Hz to 4.5 MHz or 30 Hz to 6.6 MHz.

Digital Data - a channel for the digital transmission of synchronous serial data at rates of 2.4, 4.8, 9.6, 19.2, 56 or 64 kpbs.

High Capacity - a channel for the transmission of isochronous serial digital data at rates of 1.544, or 44.736 Mbps.

Fractional T1 (FT1) facilities are furnished for the transmission of isochronous bipolar serial data and at transmission rate groupings of N x 56 Kbps or N x 64Kbps where N equals 2, 4, or 6.

Synchronous Optical - a high speed channel for the transmission of synchronous full duplex data over optical fiber at rates of 155.52 or 622.08 Mbps.

Detailed descriptions of each of the channel types are provided in 7.4 through 7.10 following.

The customer also has the option of ordering High Capacity facilities (i.e., 1.544, or 44.736 Mbps) to Telephone Company hubs for multiplexing to individual channels of a lower capacity or bandwidth. Descriptions of the types of multiplexing available at the hubs, as well as the number of individual channels which may be derived from each type of facility are set forth in 7.6 and 7.10 following. Additionally, the customer may specify optional features for the individual channels derived from the facility to further tailor the channel to meet specific communications requirements. Descriptions of the optional features and functions available are set forth in 7.2.1 following.

Effective: December 1, 2020

4001 Rodney Parham Rd.
Little Rock, AR 72212

For example, a customer may order a 44.736 Mbps High Capacity channel from a customer designated premises to a Telephone Company hub for multiplexing to twenty-four 1.544 Mbps channels. The 1.544 Mbps channels may be further multiplexed at the same or a different hub to Voice Grade channels or may be extended to other customer designated premises or hubs. Optional features may be added to either the 1.544 Mbps or the Voice Grade channels.

Synchronous Optical Channel Service (SOCS) provides the customer with the option of ordering Add/Drop Multiplexing at a suitably equipped wire center. This allows lower level signals to be added or dropped from a high speed optical carrier channel for delivery to a customer premises. A description of Add/Drop multiplexing is set forth in 7.11.3 following.

Effective: December 1, 2020

4001 Rodney Parham Rd.
Little Rock, AR 72212

7. Special Access Service (Cont'd)7.1 General (Cont'd)7.1.2 Service Descriptions

For the purposes of ordering, there are eight categories of Special Access Service. These are:

	<u>Service Designator Codes</u>
Metallic	MT
Telegraph Grade	TG
Voice	VG
Program Audio	AP
Video	TV
Digital Data	DA
High Capacity	HC
Synchronous Optical	OC

Each service consists of a basic channel to which a technical specifications package (customized or predefined), channel interface(s) and, when desired, optional features and functions are added to construct the service desired by the customer. Technical specifications packages are described in Section 15. following, optional features and functions are described in this section. Channel interfaces are described in 15.1 following.

Customized technical specifications packages will be provided where technically feasible. If the Telephone Company determines that the requested parameter specifications are not compatible, the customer will be advised and given the opportunity to change the order.

When a customized channel is ordered the customer will be notified whether Additional Engineering Charges apply. In such cases, the customer will be advised and given the opportunity to change the order.

The channel descriptions provided in 7.4 through 7.10 following, specify the characteristics of the basic channel and indicate whether the channel is provided between customer designated premises, between a customer designated premises and a Telephone Company hub where bridging or multiplexing functions are performed, between hubs, or between a customer designated premises and a WATS Serving Office.

Effective: December 1, 2020

4001 Rodney Parham Rd.
Little Rock, AR 72212

7. Special Access Service (Cont'd)7.1 General (Cont'd)7.1.2 Service Descriptions (Cont'd)

- (A) Information pertaining to the technical specifications packages indicates the transmission parameters that are available with each package. This information is displayed in matrices set forth in 15.1 following.
- (B) Channel interfaces at each Point of Termination on a two-point service may be symmetrical or asymmetrical. On a multipoint service they may also be symmetrical or asymmetrical, but communications can only be provided between compatible channel interfaces. Only certain channel interfaces are compatible. These are set forth in 15.1 following, in a combination format.
- (C) Only certain channel interface combinations are available with the predefined technical specifications packages. These are delineated in the Technical References set forth in (F) following. When a customized channel is requested, all channel interface combinations available with the specified type of service are available with the customized channel.
- (D) The optional features and functions available with each type of Special Access Service are described in this section. The optional features and functions information also indicates with which technical specifications packages they are available. Such information is displayed in matrices set forth in 15.1 following with the optional feature or function listed down the left side and the technical specifications package listed across the top.

Effective: December 1, 2020

4001 Rodney Parham Rd.
Little Rock, AR 72212

7. Special Access Service (Cont'd)7.1 General (Cont'd)7.1.2 Service Descriptions (Cont'd)

(E) The Telephone Company will maintain services installed prior to April 1, 1985, at their existing transmission specifications provided such performance specifications do not exceed the standards listed in this provision. Those services exceeding the standards listed will be maintained at the performance levels specified in this guidebook.

(F) All services installed after April 1, 1985 will conform to the transmission specifications standards contained in this guidebook or in the following Technical References for each category of service:

Metallic	TR-NPL-000336
Telegraph Grade	TR-NPL-000336
Voice Grade	TR-TSY-000335
	PUB 41004, Table 4
Program Audio	TR-NPL-000337 and associated Addendum
Video	TR-NPL-000338
Digital Data	TR-NPL-000341 and associated Addendum
	PUB 62310
High Capacity	TR-INS-000342
	PUB 62411
Synchronous Optical	GR-253-CORE
For OC3 and OC12	GR-1374-CORE
	ANSI T1.105
	ANSI T1-102

7.1.3 Service Configurations

There are three types of service configurations over which Special Access Services are provided: two-point service, multipoint service, and synchronous Optical Channel Service.

(A) Two-Point Service

A two-point service connects two customer designated premises, either on a directly connected basis or through a hub where multiplexing functions are performed, or a customer designated premises and a WATS Serving Office (WSO).

Applicable rate elements are:

- Channel Terminations
- Channel Mileage (as applicable)
- Optional Features and Functions (when applicable)

Effective: December 1, 2020

4001 Rodney Parham Rd.
Little Rock, AR 72212

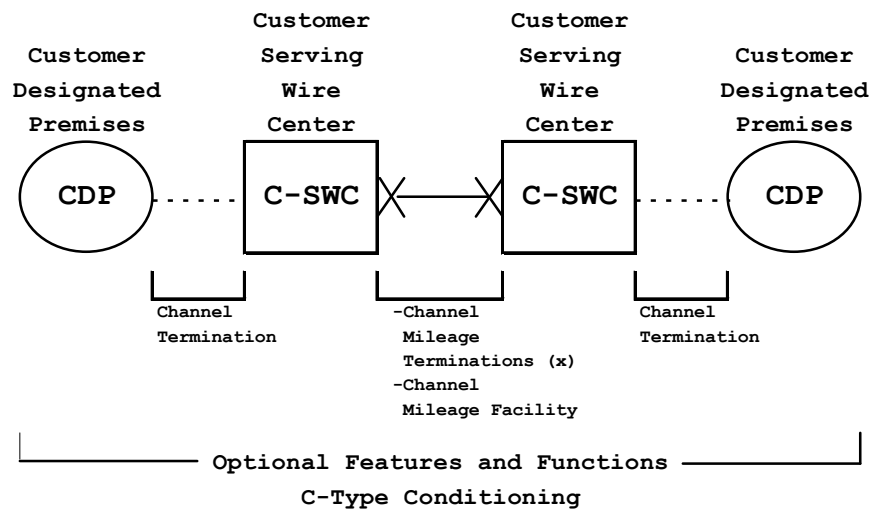
7. Special Access Service (Cont'd)
7.1 General (Cont'd)

7.1.3 Service Configurations (Cont'd)

(A) Two-Point Service (Cont'd)

A Special Access Surcharge, as set forth in 7.3 following, may be applicable.

The following diagram depicts a two-point Voice Grade service connecting two Customer Designated Premises (CDP). The service is provided with C-Type conditioning.



Applicable rate elements are:

- Channel Terminations (2 applicable, one (1) per CDP)
- Channel Mileage
 - . 2 Channel Mileage Terminations plus
 - . 1 section, Channel Mileage Facility per mile
- C-Type Conditioning Optional Feature

Effective: December 1, 2020

4001 Rodney Parham Rd.
Little Rock, AR 72212

7. Special Access Service (Cont'd)

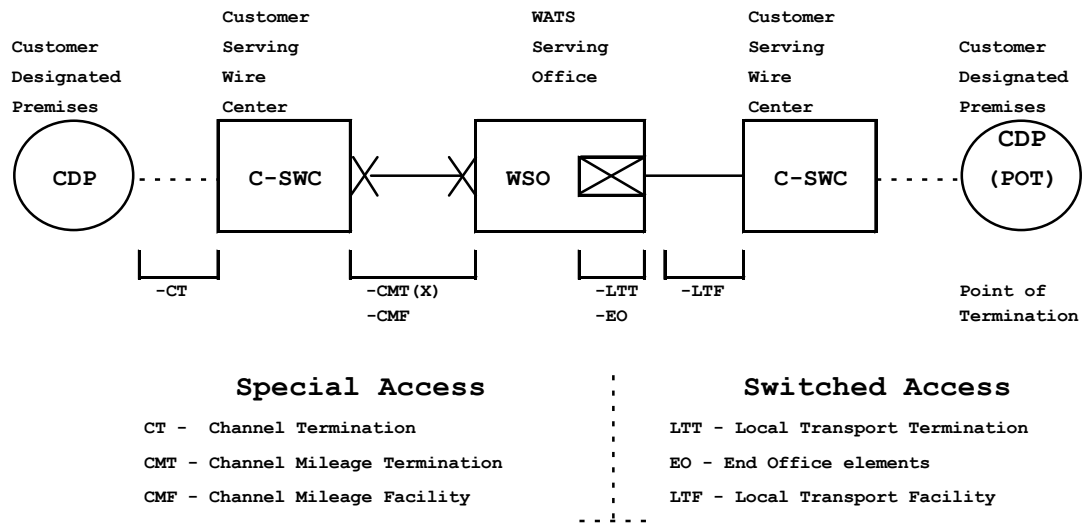
7.1 General (Cont'd)

7.1.3 Service Configurations (Cont'd)

(A) Two-Point Service (Cont'd)

The following diagram depicts a two-point Voice Grade service connecting a customer designated premises to a WATS serving office.

The Special Access surcharge, as set forth in 7.3 following, may be applicable.



Applicable rate elements for Special Access are:

- Channel Termination
- Channel Mileage
 - . 2 Channel Mileage Terminations plus
 - . 1 section, Channel Mileage Facility per mile

Effective: December 1, 2020

4001 Rodney Parham Rd.
Little Rock, AR 72212

7. Special Access Service (Cont'd)
7.1 General (Cont'd)7.1.3 Service Configurations (Cont'd)(A) Two-Point Service (Cont'd)

If one of the Customer Designated Premises is an Expanded Interconnection Location:

- One Channel Termination and one Cross-connect are applicable rate elements.

(B) Multipoint Service

Multipoint service connects three or more customer designated premises through one or more Telephone Company hubs. Only certain types of Special Access Service are provided as multipoint service. These are so designated in the descriptions for the appropriate channel set forth in 7.4 through 7.10 following.

The channel between hubs (i.e., bridging locations) on a multipoint service is a mid-link. There is no limitation on the number of mid-links available with a multipoint service. However, when more than three mid-links in tandem are provided the quality of the overall service may be degraded.

Multipoint service utilizing a customized technical specifications package, as set forth in 7.1.2 preceding and 15.1 following, will be provided when technically possible. If the Telephone Company determines that the requested characteristics for a multipoint service are not compatible, the customer will be advised and given the opportunity to change the order.

When ordering, the customer will specify the desired bridging hub(s). EXCHANGE CARRIER ASSOCIATION TARIFF F.C.C. NO. 4 identifies serving wire centers, hub locations and the type of bridging functions available.

Applicable Rate Elements are:

- Channel Terminations (one per customer designated premises)
- Channel Mileage (as applicable between the serving wire center for each customer designated premises and the hub and between hubs).
- Bridging
- Additional Optional Features and Functions (when applicable).

Effective: December 1, 2020

4001 Rodney Parham Rd.
Little Rock, AR 72212

7. Special Access Service (Cont'd)

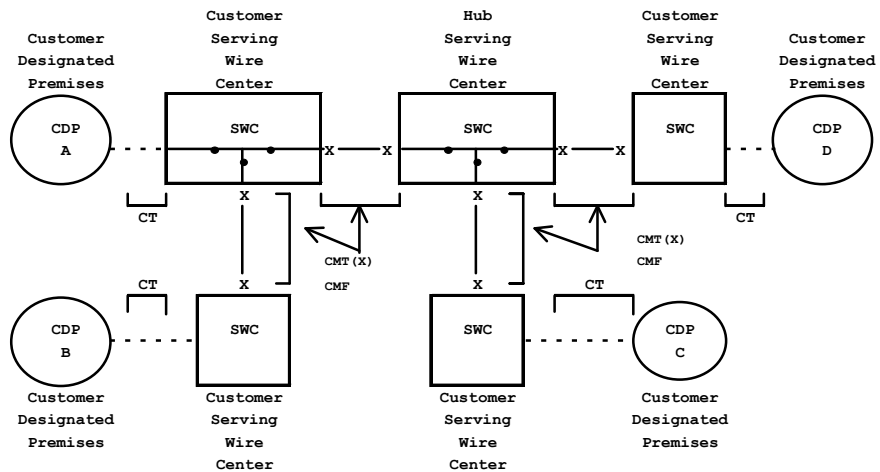
7.1 General (Cont'd)

7.1.3 Service Configurations (Cont'd)

(B) Multipoint Service (Cont'd)

The Special Access Surcharge, as set forth in 7.3 following, may be applicable.

Example: Voice Grade multipoint service connecting four customer designated premises (CDP) via two customer specified bridging hubs.



CT - Channel Termination
CMT - Channel Mileage Termination
CMF - Channel Mileage Facility
o - Bridging Port

Applicable rate elements are:

- Channel Terminations (4 applicable)
- Channel Mileage
 - o 2 Channel Mileage Terminations per Channel Mileage Facility section for a total of 8 plus
 - o 4 sections, Channel Mileage Facility per mile
- Bridging Optional Feature (6 applicable, i.e., each bridge port)

Effective: December 1, 2020

4001 Rodney Parham Rd.
Little Rock, AR 72212

7. Special Access Service (Cont'd)

7.1 General (Cont'd)

7.1.3 Service Configurations (Cont'd)

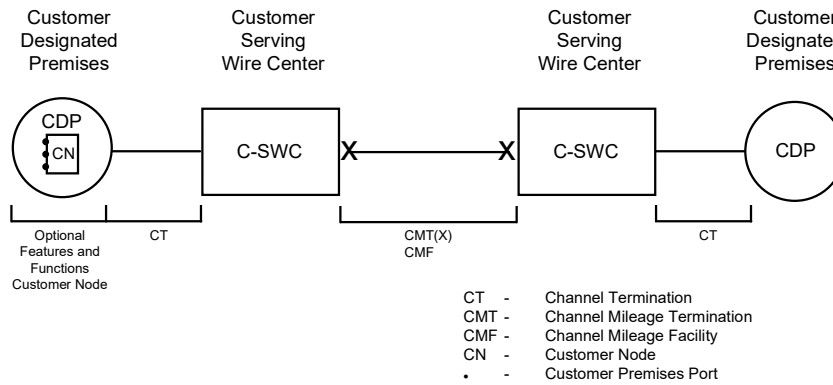
(C) Synchronous Optical Channel Service

A Synchronous Optical Channel Service connects two customer designated premises or a customer designated premises and a wire center equipped for Add/Drop Multiplexing. The connection is provided via a high speed optical carrier communications path delivering an optical handoff.

Applicable rate elements are:

- Channel Terminations
- Channel Mileage (where applicable)
- Optional Features and Functions

- (1) The following diagram depicts a synchronous optical channel service connecting two Customer Designated Premises (CDP). The Optional Feature and Function of a Customer Node was ordered at one CDP.



Applicable rate elements are:

- Channel Terminations
 - 2 Channel Terminations (1 per CDP)
- Channel Mileage
 - 2 Channel Mileage Terminations plus
 - 1 Segment Channel Mileage Facility (per mile)
- Optional Feature
 - 1 Customer Node, plus
 - 3 Customer Premises Ports

Effective: December 1, 2020

4001 Rodney Parham Rd.
Little Rock, AR 72212

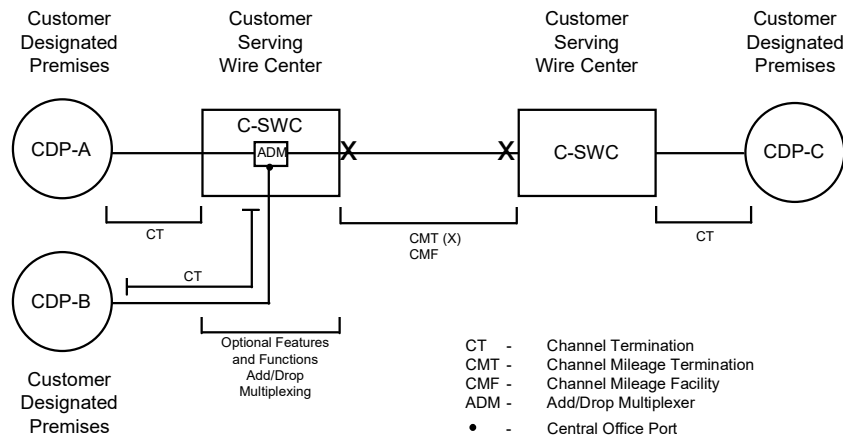
7. Special Access Service (Cont'd)

7.1 General (Cont'd)

7.1.3 Service Configurations (Cont'd)

(C) Synchronous Optical Channel Service (Cont'd)

(2) The following diagram depicts a Synchronous Optical Channel Service connecting three Customer Designated Premises. CDP-A and CDP-B are connected using an Add/Drop Multiplexer. At the Add/Drop Multiplexer, the customer may drop off lower speed special access services. Rates and charges are as set forth in 17.1.8 and 17.1.10 following.



Applicable rate elements are:

- Channel Terminations (applicable one (1) per CDP)
- Channel Mileage
 - Channel Mileage Termination (2 applicable)
 - 1 Section, Channel Mileage Facility per mile
- Add/Drop Multiplexing Optional Feature (1 Central Office Port applicable, i.e., each port)

Effective: December 1, 2020

4001 Rodney Parham Rd.
Little Rock, AR 72212

7. Special Access Service (Cont'd)7.1 General (Cont'd)7.1.4 Alternate Use

Alternate Use occurs when a service is arranged by the Telephone Company so that the customer can select different types of transmission at different times. A customer may use a service in any privately beneficial manner. However, where technical or engineering changes are required to effectuate an alternate use, the Telephone Company will make such special arrangements available on an individual case basis.

The arrangement required to transfer the service from one operation to the other (i.e., the transfer relay and control leads) will be rated and provided on an individual case basis and filed in Section 12. following, Specialized Service or Arrangements. The customer will pay the stated guidebook rates for the Access Service rate elements for the service ordered [i.e., Channel Terminations, Channel Mileage (as applicable) and Optional Features and Functions (if any)].

7.1.5 Special Facilities Routing

A customer may request that the facilities used to provide Special Access Service be specially routed. The regulations, rates and charges for Special Facilities Routing (i.e., Avoidance, Diversity and Cable-Only) are set forth in Section 11. following.

7.1.6 Design Layout Report

At the request of the customer, the Telephone Company will provide to the customer the make-up of the facilities and services provided under this guidebook as Special Access Service to aid the customer in designing its overall service. This information will be provided in the form of a Design Layout Report. The Design Layout Report will be provided to the customer at no charge, and will be reissued or updated whenever these facilities are materially changed.

7.1.7 Acceptance Testing

At no additional charge, the Telephone Company will, at the customer's request, cooperatively test the following at the time of installation:

- (A) For Voice Grade analog services, the acceptance test will include tests for loss, 3-tone slope, DC continuity, operational signaling, C-notched noise, and C-message noise when these parameters are applicable and specified in the order of service. Additionally, for Voice Grade services, a balance (improved loss) test will be made if the customer has ordered the improved loss optional feature.

Effective: December 1, 2020

4001 Rodney Parham Rd.
Little Rock, AR 72212

7. Special Access Service (Cont'd)7.1 General (Cont'd)7.1.7 Acceptance Testing (Cont'd)

- (B) For other analog services (i.e., Metallic, Telegraph, Program Audio, and Video) and for digital services (i.e., Digital Data and High Capacity), acceptance tests will include tests applicable to the service as specified by the customer in the order for service.

In addition to the above tests, Additional Cooperative Acceptance Testing for Voice Grade service to test other parameters, as described in 13.3.1(B) following, is available at the customer's request. All test results will be made available to the customer upon request.

7.1.8 Ordering Options and Conditions

Special Access Service is ordered under the Access Order provisions set forth in Section 5. preceding. Also included in that section are other charges which may be associated with ordering Special Access Service (e.g., Service Date Change Charges, Cancellation Charges, etc.).

7.1.9 Competitive vs Non-competitive Wire Centers

In accordance with the FCC's Business Data Services Report and Order (FCC 17-43) released April 28, 2017, rates, terms and conditions for Special Access packet-based services, TDM-based services exceeding a DS3 bandwidth, and Special Access transport services are set forth in this Windstream ILEC Interstate Business Data Services Guidebook. In addition, rates, terms and conditions for end user channel terminations provided in wire centers where the physical address of the wire center is in a county or county equivalent designated as competitive pursuant to the FCC's list of competitive and non-competitive counties also will be provided pursuant to the rates, terms and conditions of the Windstream ILEC Interstate Business Data Services Guidebook. Special Access end user channel terminations for services provided in wire centers where the physical address of the wire center is in a county or county equivalent designated as non-competitive pursuant to the FCC's list of competitive and non-competitive counties will be provided pursuant to the rates, terms and conditions of Windstream ILEC's Interstate Access Tariffs. A listing of the Windstream ILEC wire centers designated as competitive or non-competitive is provided at 7.14 following.

Effective: December 1, 2020

4001 Rodney Parham Rd.
Little Rock, AR 72212

7. Special Access Service (Cont'd)7.2 Rate Regulations

This section contains the specific regulations governing the rates and charges that apply for Special Access.

7.2.1 Rate Categories

There are three basic rate categories which apply to Special Access Service:

- Channel Terminations (described in 7.2.1(A) following)
- Channel Mileage (described in 7.2.1(B) following)
- Optional Features and Functions (described in 7.2.1(C) following).

(A) Channel Termination

The Channel Termination rate category recovers the costs associated with the communications path between a customer designated premises and the serving wire center of that premises. Included as part of the Channel Termination is a standard channel interface arrangement which defines the technical characteristics associated with the type of facilities to which the access service is to be connected at the Point of Termination (POT) and the type of signaling capability, if any. The signaling capability is provided as an optional feature as set forth in (C) following.

For Synchronous Optical Channel Service the high speed optical communication path is between the optical line Termination (OLT) at the customer designated premises and the serving wire center of that premises.

One Channel Termination charge applies per customer designated premises at which the channel is terminated. This charge will apply even if the customer designated premises and the serving wire center are collocated in a Telephone Company building.

For DS3 High Capacity Service, the Channel Termination rates are made up of the DS3 Capacity Interface rate and the DS3 Channel Installed rate. The Capacity Interface rate is dependent upon the capacity ordered (i.e., Capacity Interface of 1, 3, 6 or 12) and is applicable at each customer designated premises. The capacity ordered is the maximum number of DS3 services that can be terminated on a given service at the customer designated premises (e.g., a capacity of 3 can terminate 1, 2, or 3 DS3 services).

Effective: December 1, 2020

4001 Rodney Parham Rd.
Little Rock, AR 72212

7. Special Access Service (Cont'd)7.2 Rate Regulations (Cont'd)7.2.1 Rate Categories (Cont'd)(A) Channel Termination (Cont'd)

One DS3 channel installed rate applies per customer designated premises at which the channel is terminated for each DS3 channel that is ordered. These charges will apply even if the customer designated premises and the serving wire center are collocated in a telephone company building.

(B) Channel Mileage

The Channel Mileage rate category recovers the costs associated with the end office equipment and the transmission facilities between the serving wire centers associated with two customer designated premises, between a serving wire center associated with a customer designated premises and a Telephone Company hub or between two Telephone Company hubs, between a serving wire center associated with a customer designated premises and a wire center equipped for Add/Drop Multiplexing (ADM) or between two ADM equipped wire centers. Channel Mileage rates are made up of the Channel Mileage Facility rate and the Channel Mileage Termination rate.

(1) Channel Mileage Facility

The Channel Mileage Facility rate recovers the per mile cost for the transmission path which extends between the Telephone Company serving wire centers and/or hub(s).

The Synchronous Optical Channel Service Channel Mileage Facility provides high speed transmission facilities between the Telephone Company serving wire centers or between a Telephone Company serving wire center and another wire center equipped for Add/Drop Multiplexing (ADM) or between two ADM equipped wire centers.

Effective: December 1, 2020

4001 Rodney Parham Rd.
Little Rock, AR 72212

7. Special Access Service (Cont'd)7.2 Rate Regulations (Cont'd)7.2.1 Rate Categories (Cont'd)(B) Channel Mileage(2) Channel Mileage Termination

The Channel Mileage Termination rate recovers the cost for end office equipment associated with terminating the facility (i.e., basic circuit equipment and terminations at serving wire centers and hubs). The Channel Mileage Termination rate will apply at the serving wire center(s) for each customer designated premises and Telephone Company hub where the channel is terminated. If the Channel Mileage is between Telephone Company bridging hubs, the Channel Mileage Termination rate will apply per Telephone Company designated hub. If the Channel Mileage is between the serving wire center for a customer designated premises and a WATS Serving Office, the Channel Mileage Termination rate will apply at both the serving wire center associated with the customer designated premises and the WATS Serving Office.

If the Channel Mileage for Synchronous Optical Channel Service is between the serving wire center for a customer designated premises and a wire center equipped for Add/Drop Multiplexing, the Channel Mileage Termination Rate will apply at both the serving wire center associated with the Customer Designated Premises and the wire center equipped for Add/Drop Multiplexing. If the Channel Mileage is between two wire centers equipped for Add/Drop Multiplexing, the Channel Mileage Termination rate will apply at both wire centers equipped for Add/Drop Multiplexing.

When the Channel Mileage Facility is zero (i.e., collocated serving wire centers), neither the Channel Mileage Facility rate nor the Channel Mileage Termination rate will apply.

Effective: December 1, 2020

4001 Rodney Parham Rd.
Little Rock, AR 72212

7. Special Access Service (Cont'd)
- 7.2 Rate Regulations (Cont'd)
- 7.2.1 Rate Categories (Cont'd)

(C) Optional Features and Functions

The Optional Features and Functions rate category recovers the costs associated with optional features and functions which may be added to a Special Access Service to improve its quality or utility to meet specific communications requirements. These are not necessarily identifiable with specific equipment, but rather represent the end result in terms of performance characteristics which may be obtained. These characteristics may be obtained by using various combinations of equipment. Although the equipment necessary to perform a specified function may be installed at various locations along the path of the service, they will be charged for as a single rate element.

Examples of Optional Features and Functions that are available include, but are not limited to, the following:

- Signaling Capability
- Hubbing Functions
- Conditioning
- Transfer Arrangements

Descriptions for each of the available Optional Features and Functions are set forth in 7.4 through 7.10 following.

A hub is a Telephone Company designated serving wire center at which bridging or multiplexing functions are performed. The bridging functions performed are to connect three or more customer designated premises in a multipoint arrangement. The multiplexing functions are to channelize analog or digital facilities to individual services requiring a lower capacity or bandwidth. NATIONAL EXCHANGE CARRIER ASSOCIATION, INC. TARIFF F.C.C. NO. 4 identifies serving wire centers, hub locations and the type of bridging or multiplexing functions available.

Effective: December 1, 2020

4001 Rodney Parham Rd.
Little Rock, AR 72212

7. Special Access Service (Cont'd)7.2 Rate Regulations (Cont'd)7.2.2 Types of Rates and Charges

There are three types of rates and charges. These are monthly rates, daily rates and nonrecurring charges. The rates and charges are described as follows:

(A) Monthly Rates

Monthly rates are recurring rates that apply each month or fraction thereof that a Special Access Service is provided. For billing purposes, each month is considered to have 30 days.

(B) Daily Rates

Daily rates are recurring rates that apply to each 24 hour period or fraction thereof that a Program Audio or Video Special Access Service is provided for part-time use. For purposes of applying daily rates, the 24 hour period is not limited to a calendar day.

Part-time Program Audio or Video Service provided within a consecutive 30 day period will be charged the daily rate, not to exceed the monthly rate. For each day or partial day after a consecutive 30 day period of service, a charge equal to 1/30th of the monthly rate shall apply.

(C) Nonrecurring Charges

Nonrecurring charges are one-time charges that apply for specific work activity (i.e., installation or change to an existing service). The types of nonrecurring charges that apply for Special Access Service are: installation of service, installation of optional features and functions, and service rearrangements. These charges are in addition to the Access Order Charge as specified in 17.2.1 following.

(1) Installation of Service

Nonrecurring charges apply to each service installed. The nonrecurring charges for the installation of service are set for each channel type as a nonrecurring charge for the Channel Termination.

Effective: December 1, 2020

4001 Rodney Parham Rd.
Little Rock, AR 72212

7. Special Access Service (Cont'd)7.2 Rate Regulations (Cont'd)7.2.2 Types of Rates and Charges (Cont'd)(2) Installation of Optional Features and Functions

When optional features and functions are installed coincident with the initial installation of service, no separate nonrecurring charge is applicable. When optional features and functions are installed or changed subsequent to the installation of service, an Access Order Charge as specified in 17.2.1 following will apply per order.

(3) Service Rearrangements

Service rearrangements are changes to existing (installed) services which may be administrative only in nature, as set forth following, or that involve actual physical change to the service. Changes to pending orders are set forth in 5.4 preceding.

Changes in the physical location of the point of termination or customer designated premises are moves as set forth in 7.2.3 following.

Changes in the type of Service or Channel Termination which result in a change of the minimum period requirement will be treated as a discontinuance of the service and an installation of a new service.

Changes in ownership or transfer of responsibility from one customer to another will be treated as a discontinuance of the service and an installation of a new service. In the event the change in ownership or transfer of responsibility is as set forth in 2.1.2(A) preceding where there is no change in facilities or arrangements, the change will be treated as an administrative change.

Effective: December 1, 2020

4001 Rodney Parham Rd.
Little Rock, AR 72212

7. Special Access Service (Cont'd)7.2 Rate Regulations (Cont'd)7.2.2 Types of Rates and Charges (Cont'd)(C) Nonrecurring Charges (Cont'd)(3) Service Rearrangements (Cont'd)

Administrative changes will be made without charge(s) to the customer. Administrative changes are as follows:

- Change of customer name,
- Change of customer or customer's end user premises address when the change of address is not a result of physical relocation of equipment,
- Change in billing data (name, address, or contact name or telephone number),
- Change of agency authorization
- Change of customer circuit identification,
- Change of billing account number,
- Change of customer test line number,
- Change of customer or customer's end user contact name or telephone number, and
- Change of jurisdiction.

All other service rearrangements will be charged as follows:

- If the change involves the addition of other customer designated premises to an existing service, the nonrecurring charge for the channel termination rate element will apply. The charge(s) will apply only for the location(s) that is being added. The charge(s) will be in addition to an Access Order Charge as set forth in 17.2.1 following.
- If the change involves the addition of an optional feature or function, or if the change involves changing the type of signaling on a Voice Grade service, and for all other changes, the Access Order Charge as set forth in 17.2.1 following will apply.

Effective: December 1, 2020

4001 Rodney Parham Rd.
Little Rock, AR 72212

7. Special Access Service (Cont'd)7.2 Rate Regulations (Cont'd)7.2.3 Moves

A move involves a change in the physical location of one of the following:

- The Point of Termination at the customer's premises
- The customer's premises

The charges for the move are dependent on whether the move is to a new location within the same building or to a different building. In either case, charges as described in (A) and (B) following are in addition to the Access Order Charge as specified in 17.2.1 following.

(A) Moves Within the Same Building

When the move is to a new location within the same building, the charge for the move will be an amount equal to one half of the nonrecurring (i.e., installation) charge for the service termination affected. There will be no change in the minimum period requirements.

(B) Moves To a Different Building

Moves to a different building will be treated as a discontinuance and start of service and all associated nonrecurring charges will apply. New minimum period requirements will be established for the new services. The customer will also remain responsible for satisfying all outstanding minimum period charges for the discontinued service.

7.2.4 Minimum Periods

The minimum service period for all services except part-time Video and Program Audio services, DS3 High Capacity Service and Synchronous Optical Channel Service is one month and the full monthly rate will apply to the first month. Adjustments for the quantities of services established or discontinued in any billing period beyond the minimum period are as set forth in 2.4.1(F) preceding. The minimum service period for part-time Video and Program Audio services is a continuous 24-hour period, not limited to a calendar day. The minimum service period for DS3 High Capacity Service and Synchronous Optical Channel Service is twelve months.

Effective: December 1, 2020

4001 Rodney Parham Rd.
Little Rock, AR 72212

7. Special Access Service (Cont'd)7.2 Rate Regulations (Cont'd)7.2.5 Mileage Measurement

The mileage to be used to determine the monthly rate for the Channel Mileage Facility is calculated on the airline distance between the locations involved, i.e.,

- the serving wire centers associated with two customer designated premises,
- a serving wire center associated with a customer designated premises and a Telephone Company hub,
- two Telephone Company hubs,
- a serving wire center associated with a customer designated premises and a wire center equipped for Frame Relay Access Service,
- a serving wire center associated with a customer designated premises and a wire center equipped for Add/Drop Multiplexing,
- two wire centers equipped for Add/Drop Multiplexing, or between the serving wire center associated with a customer designated premises and a WATS Serving Office.

The serving wire center associated with a customer designated premises is the serving wire center from which this customer designated premises would normally obtain dial tone.

Mileage charges are shown with each channel type. To determine the rate to be billed, first compute the mileage using the V&H coordinates method, as set forth in the NATIONAL EXCHANGE CARRIER ASSOCIATION, INC. TARIFF F.C.C. NO. 4, then multiply the resulting number of miles times the Channel Mileage Facility per mile rate, and add the Channel Mileage Termination rate for each termination. When the calculation results in a fraction of a mile, always round up to the next whole mile before determining the mileage and applying the rates. When more than one Telephone Company is involved in the provision of service, billing will be accomplished as set forth in 2.4.7 preceding.

When hubs are involved, mileage is computed and rates applied separately for each section of the Channel Mileage, i.e.,

- customer designated premises serving wire center to hub
- hub to hub and/or
- hub to customer designated premises serving wire center.

However, when any service is routed through a hub for purposes other than customer specified bridging or multiplexing (e.g., the Telephone Company chooses to so route for test access purposes), rates will be applied only to the distance calculated between the serving wire centers associated with the customer designated premises.

See the service configuration example for multipoint service as set forth in 7.1.3(B) preceding.

Effective: December 1, 2020

4001 Rodney Parham Rd.
Little Rock, AR 72212

7. Special Access Service (Cont'd)7.2 Rate Regulations (Cont'd)7.2.5 Mileage Measurement (Cont'd)

When Add/Drop Multiplexing is offered in connection with Synchronous Optical Channel service, mileage is computed and rates applied separately for each section of the Channel Mileage, i.e.,

- customer designated premises serving wire center to an Add/Drop Multiplexing (ADM) equipped wire center,
- ADM equipped wire center to ADM equipped wire center,
- ADM equipped wire center to a customer designated premises serving wire center.

7.2.6 Facility Hubs

A customer has the option of ordering Voice Grade service or High Capacity services (i.e., DS1, or DS3) to a facility hub for channelizing to individual services requiring lower capacity facilities (e.g., Telegraph, Voice, Program Audio, etc.).

Different locations may be designated as hubs for different facility capacities, e.g., multiplexing from digital to digital may occur at one location while multiplexing from digital to analog may occur at a different location. When placing an Access Order the customer will specify the desired hub. NATIONAL EXCHANGE CARRIER ASSOCIATION, INC. TARIFF F.C.C. NO. 4 identifies serving wire centers, hub locations and the type of multiplexing functions available.

Some of the types of multiplexing available include the following:

- from higher to lower bit rate
- from higher to lower bandwidth
- from high capacity to voice frequency channels.

Point to point services may be provided on channels of these services to a hub. The transmission performance for the point to point service provided between customer designated premises will be that of the lower capacity or bit rate. For example, when a 1.544 Mbps channel is multiplexed to voice frequency channels, the transmission performance of the channelized services will be Voice Grade, not High Capacity.

The Telephone Company will commence billing the monthly rate for the service to the hub on the date specified by the customer on the Access Order. Individual channels utilizing these services may be installed coincident with the installation of the service to the hub or may be ordered and/or installed at a later date, at the option of the customer. The customer will be billed for a Voice Grade or a High Capacity Channel Termination, Channel Mileage (when applicable), and the multiplexer at the time the service is installed. Individual service rates (by service type) will apply for a Channel Termination and additional Channel Mileage (as required) for each channelized service. These will be billed to the customer as each individual service is installed.

Effective: December 1, 2020

4001 Rodney Parham Rd.
Little Rock, AR 72212

7. Special Access Service (Cont'd)7.2 Rate Regulations (Cont'd)7.2.6 Facility Hubs (Cont'd)

Cascading multiplexing occurs when a High Capacity service is de-multiplexed to provide channels with a lesser capacity and one of the lesser capacity channels is further de-multiplexed. For example, a 44.752 Mbps High Capacity service is de-multiplexed to twenty-four DS1 channels and then one of the DS1 channels is further de-multiplexed to 24 individual Voice Grade channels.

When cascading multiplexing is performed, whether in the same or a different hub, a charge for the additional multiplexing unit also applies. When cascading multiplexing is performed at different hubbing locations, Channel Mileage charges also apply between the hubs.

The Telephone Company will designate hubs for Program Audio and Video Services. Full-time or part-time service may be provided between customer designated premises or between a customer designated premises and a hub and billed accordingly at the monthly rates set forth in 17.3.5 and 17.3.6 following for a Channel Termination, Channel Mileage and Optional Features and Functions, as applicable. When the service is ordered to a hub, the customer may order a full-time or part-time Program Audio and Video services as needed between that hub and additional customer designated premises. The rate elements required to provide the part-time service (i.e., Channel Termination, Channel Mileage and Optional Features and Functions, as applicable) will be billed at daily rates for the duration of the service requested.

Effective: December 1, 2020

4001 Rodney Parham Rd.
Little Rock, AR 72212

7. Special Access Service (Cont'd)7.2 Rate Regulations (Cont'd)7.2.7 Mixed Use

Mixed use refers to a rate application applicable only when the customer orders High Capacity or Synchronous Optical Channel Service Special Access facilities between a customer designated premises and a Telephone Company hub or ADM equipped wire center where the Telephone Company performs multiplexing/de-multiplexing functions and the same customer then orders the derived channels as Special and Switched Access Services. If the customer has Switched Access Service between a customer designated premises and an end office that is multiplexed at a Telephone Company hub or ADM equipped wire center and subsequently orders the derived channels as Special and Switched Access Service, rates and charges will apply as if the service were ordered as mixed use.

Except as noted above, the High Capacity or Synchronous Optical Channel Service facility will be ordered, provided and rated as Special Access Service (i.e., Channel Termination, Channel Mileage, as appropriate, and Multiplexing, Customer Node, Customer Premises Port, and Add/Drop Multiplexing). The nonrecurring charge that applies when the mixed use facility is installed will be the nonrecurring charge associated with the appropriate Special Access High Capacity or Synchronous Optical Channel Service Channel Termination.

Rating as Special Access will continue until such time as the customer chooses to use a portion of the available capacity for Switched Access Service. Individual service (i.e., Switched or Special Access) nonrecurring charges will not apply to the individual channels of the mixed use facility.

When Special Access Service is provided utilizing a channel of the mixed use facility to a hub, High Capacity rates and charges will apply for the facility to the hub, as set forth preceding, and individual service rates and charges will apply from the hub to the customer designated premises. The rates and charges that will apply to the portion from the hub to the customer designated premises will be dependent on the specific type of Special Access Service that is provided (e.g., Voice Grade, Telegraph, etc.). The applicable rates and charges will include a Channel Termination and Channel Mileage, if applicable. Rates and charges for Optional Features and Functions associated with the service, if any, will apply for the appropriate channel type.

Effective: December 1, 2020

4001 Rodney Parham Rd.
Little Rock, AR 72212

7. Special Access Service (Cont'd)7.2 Rate Regulations (Cont'd)7.2.7 Mixed Use (Cont'd)

As each individual channel of a Special Access High Capacity Service is activated for Switched Access Service, the Special Access Channel Termination, Channel Mileage, and Multiplexing rates will be reduced accordingly (e.g., 1/24th for a DS1 service, 1/672nd for a DS3 service, etc.).

Similarly, as each individual channel of a Special Access Synchronous Optical Channel Service is activated for Switched Access Service, the Special Access Channel Termination, Channel Mileage, Customer Node, Customer Premises Port, and Add/Drop Multiplexing rates will be reduced accordingly (e.g. 1/2016th for an OC3 service, 1-8064th for an OC12 service).

If the Special Access charges for the mixed use facility are subject to Service Discount Plan discounts (e.g., Term Discount Optional Rate Plan) as set forth in 7.2.8 following, the Special Access charges will be reduced to reflect mixed use before the Service Discount Plan discounts are applied.

Switched Access Service rates and charges, as set forth in 17.2 of the Windstream FCC #6 Tariff, will apply for each channel that is used to provide a Switched Access Service. Additionally, the Switched Access Service Entrance Facility, Direct Trunked Transport, Multiplexing, Customer Node, Customer Premises Port, and Add/Drop Multiplexing charges, if applicable, will be reduced by multiplying their respective rates by the ratio of derived Switched Access Service channels to the total number of Voice Grade channels that can be derived.

The following table shows the total voice grade equivalents for each of the services that may be used for Mixed Use:

High Capacity or Synchronous Optical Channel Service		DS3 Quantities	DS1 Quantities	Voice Grade Equivalents
DS1	n/a	1	24	
DS3	1	28	672	
OC3	3	84	2,016	
OC12	12	336	8,064	

The customer must place an order for each individual Switched or Special Access Service utilizing the Mixed Use Facilities and specify the channel assignment for each such service.

Effective: December 1, 2020

4001 Rodney Parham Rd.
Little Rock, AR 72212

7. Special Access Service (Cont'd)7.2 Rate Regulations (Cont'd)7.2.8 Service Discount Plans

There are two Service Discount Plans: a High Capacity Optional Rate Plan and a Synchronous Optical Channel Service Optional Rate Plan.

(A) High Capacity Optional Rate plans

There are two High Capacity Optional Rate plans; a Term Discount plan and a Capacity Discount plan*.

The Term Discount plan applies to Special Access DS1 and DS3 High Capacity Service Channel Termination, Channel Mileage Facility and Channel Mileage Termination monthly rates, as set forth following. The amount of the discount differs based on the length of the service commitment period selected by the customer.

Discounts for the Term Discount plan are only applied to High Capacity Service provided a customer within the same state and LATA by the same telephone company.

Discounts for the Capacity Discount plan* are only applied to Special Access DS3 High Capacity Service Channel Termination monthly rates as set forth in 7.11.6 following.

The minimum service period on a monthly rate basis is one month for DS1 service and twelve months for DS3 service.

(1) Term Discounts

DS1 and DS3 High Capacity Special Access Service may be ordered at the customer's option on a monthly rate basis or for Term Discount periods of 36 months (3 years) or 60 months (5 years).

The minimum service period for all Term Discount plans is twelve months. The customer must specify the length of the service commitment period at the time the service is ordered.

For customers that subscribe to the Term Discount plan for 36 or 60 months, the Term Discount percentage as set forth in 17.1.9 following will be frozen from Company initiated decreases, for the entire discount period at the percent in effect at the beginning of the Term Discount period.

D
|
|
|
D

Effective: December 1, 2020

4001 Rodney Parham Rd.
Little Rock, AR 72212

7. Special Access Service (Cont'd)7.2 Rate Regulations (Cont'd)7.2.8 Service Discount Plans (Cont'd)(A) High Capacity Optional Rate plans (Cont'd)(1) Term Discounts (Cont'd)

At the end of the Term Discount period, the customer may convert to month-to-month service or subscribe to a new Term Discount Plan. If the customer does not make a choice by the end of the discount period, the rates will automatically convert to month-to-month service rates.

To be included in a Service Term Discount plan, all eligible High Capacity rate elements must be ordered for the same commitment term (i.e., all 36 months or all 60 months) and with the same service date. When additional capacity is subsequently added, it will be available only on a month-to-month basis unless the discount period of the entire service is upgraded.

Eligible DS1 and DS3 High Capacity rate elements are those Channel Terminations, Channel Mileage Facility and Channel Mileage Terminations provided to a customer within the same state and LATA by the same telephone company.

(a) Upgrades in Term Discounts

Services provided under monthly rates or Term Discount rates may be upgraded to a Term Discount plan at any time without incurring Channel Termination nonrecurring charges or discontinuance charges for existing services. The new Term Discount plan must meet or exceed the service term of the plan being upgraded. For example, a service with a 36-month commitment period may be upgraded to a new 36-month or 60-month service period. A new minimum service period applies to all High Capacity Service that is upgraded. (C)

(b) Upgrades in Capacity (DS1 to DS3)

A new minimum service period applies to all upgrades. Channel Termination nonrecurring charges for an equivalent channel capacity of the existing services being upgraded to the higher speed service will not be assessed. For example, 30 DS1 Services are being upgraded to DS3 Service. A capacity of 3 is installed at the customer's request. A total of 2 DS3

Effective: December 1, 2020

4001 Rodney Parham Rd.
Little Rock, AR 72212

7. Special Access Service (Cont'd)7.2 Rate Regulations (Cont'd)7.2.8 Service Discount Plans (Cont'd)(A) High Capacity Optional Rate plans (Cont'd)(1) Term Discounts (Cont'd)(b) Upgrades in Capacity (DS1 to DS3) (Cont'd)

Channel rate elements will be installed without Channel Termination nonrecurring charges being assessed as it will require 2 DS3 Channel rate elements to provide the equivalent channel capacity of the existing services. Channel Termination nonrecurring charges will not apply to the upgraded lower speed services placed on the higher speed service if requested at the same time as the upgrade request. Channel Termination nonrecurring charges will apply for capacity that exceeds the existing equivalent channel capacity.

(c) Discontinuance of Service

If the customer chooses to disconnect all or a portion of the service prior to the expiration of the Term Discount period, discontinuance charges will apply to the portion of the service being discontinued.

Should the customer choose to discontinue a Term Discount plan prior to the completion of the minimum service period, discontinuance charges will apply. Discontinuance charges equal to one-hundred percent of the total undiscounted monthly rates, less any amounts previously paid, will apply for the minimum service period.

Additionally, discontinuance charges of fifty percent of the total undiscounted monthly DS1 or DS3 charges will apply to the remaining portion of the discount service term.

Should the customer choose to discontinue service ordered under a Term Discount plan after the minimum service period but before the completion of the discount period, discontinuance charges will apply. Discontinuance charges of fifty percent for DS1 or DS3 Service, of the total undiscounted monthly charges will apply to the remaining portion of the discount period. For example, a customer has a DS1 or DS3 Service which it chooses to discontinue after 33 months into a 60-month service term. The discontinuance charge would be 0.50 times 27 months times the undiscounted monthly rate for that service.

Effective: December 1, 2020

4001 Rodney Parham Rd.
Little Rock, AR 72212

7. Special Access Service (Cont'd)7.2 Rate Regulations (Cont'd)7.2.8 Service Discount Plans (Cont'd)(B) Synchronous Optical Channel Service Optional Rate Plan

The Synchronous Optical Channel Service Optional Rate Plan offers a Term Discount. The Term Discount applies to Channel Terminations, Channel Mileage and Optional Features and Functions monthly rates, as set forth following. The Term Discount percentages for the Synchronous Optical Channel Service Term Discount are as set forth in 7.12.4(D) following.

Discounts for the Synchronous Optical Channel Service Optional Rate Plan are only applied to Synchronous Optical Channel Service provided to a customer within the same state and LATA by the same Telephone Company.

OC3/OC3c and OC12 Synchronous Optical Channel Service may be ordered at the customer's option on a monthly rate basis or for Term Discount periods of 36 months (3 years) or 60 months (5 years).

The minimum service period for all term discount plans is twelve months. The customer must specify the length of the service commitment period at the time the service is ordered.

For customers that subscribe to the Term Discount plan for 36 or 60 months, the Term Discount percentage as set forth in 7.12.4(D) following will be frozen from Company initiated decreases, for the entire discount period at the percent in effect at the beginning of the Term Discount period.

If a Term Discount percentage increase occurs during the term of an existing Term Discount plan, the increased percentage will be applied automatically to the remainder of the current Term Discount period.

At the end of the Term Discount period, the customer may convert to month-to-month service or subscribe to a new Term Discount plan. If the customer does not make a choice by the end of the discount period, the rates will automatically convert to month-to-month service rates. The minimum service period on a monthly rate basis is twelve months for Synchronous Optical Channel Service.

To be included in a Term Discount plan, all eligible Synchronous Optical Channel Service rate elements must be ordered for the same commitment term (i.e., all 36 months or all 60 months) and with the same service date. When additional capacity is subsequently added, it will be available only on a month-to-month basis unless the discount period of the entire service is upgraded.

Effective: December 1, 2020

4001 Rodney Parham Rd.
Little Rock, AR 72212

7. Special Access Service (Cont'd)7.2 Rate Regulations (Cont'd)7.2.8 Service Discount Plans (Cont'd)

Eligible OC3/OC3c or OC12 Synchronous Optical Channel Service rate elements are those Channel Terminations, Channel Mileage Facility, Channel Mileage Terminations, Customer Nodes, Customer Premises Ports and Central Office Ports provided to a customer within the same state and LATA by the same Telephone Company. As long as the number of OC3s, OC3cs or OC12s included in a Term Discount plan remains constant, customer requests to install and disconnect OC3, OC3c or OC12 services, including changes affecting different wire centers and/or customer designated premises, will not change the current Term Discount period or the minimum service period, and Discontinuance of Service charges as set forth in (3) following will not apply.

(1) Upgrades in Term Discounts

Services provided under monthly rates or Term Discount rates may be upgraded to a Term Discount plan at any time without incurring nonrecurring charges or discontinuance charges for existing services. The new Term Discount plan must meet or exceed the service term of the plan being upgraded. For example, a service with a 36 month commitment period may be upgraded to a new 36 month, or 60 month service period. A new minimum service period applies to all Synchronous Optical Channel Service that is upgraded. (C)

(2) Upgrades in Capacity (OC3/OC3c to OC12)

If the customer chooses to upgrade a service under the Term Discount rate plan to a higher capacity (i.e., OC3/OC3c to OC12), discontinuance charges will not apply, provided all the following conditions are met:

- the customer's order for the
- disconnect of the existing OC3/OC3c Service and the installation of the new OC12 Service are received at the same time and specifically reference the application of upgrade in capacity,
- the customer's disconnect order for the existing OC3/OC3c Service must reference the OC12 Service installation order,
- the new service has a total channel capacity greater than the total channel capacity of the service being discontinued and,
- the new Term Discount period meets or exceeds the Term Discount period being discontinued.

Effective: December 1, 2020

4001 Rodney Parham Rd.
Little Rock, AR 72212

7. Special Access Service (Cont'd)7.2 Rate Regulations (Cont'd)7.2.8 Service Discount Plans (Cont'd)(2) Upgrades in Capacity (OC3/OC3c to OC12) (Cont'd)

A new minimum service period applies to all upgrades. Nonrecurring charges will not be assessed when an existing OC3/OC3c service is upgraded to an equivalent channel capacity at a higher speed.

Should the customer choose to upgrade either a portion of, or the entire OC3/OC3c Service under the Term Discount plan to an OC12 Service and move the service to a new customer location(s) within the same state and LATA, and when service is provided by the same telephone company, discontinuance charges will not apply.

(3) Discontinuance of Service

If the customer chooses to disconnect all or a portion of the service prior to the expiration of the Term Discount period, discontinuance charges will apply to the portion of the service being discontinued.

Should the customer choose to discontinue a Term Discount plan prior to the completion of the minimum service period, discontinuance charges will apply. Discontinuance charges equal to one-hundred percent of the total undiscounted monthly rates, less any amounts previously paid, will apply for the minimum service period. Additionally, discontinuance charges of fifteen percent for OC3/OC3c service, and fifty percent for OC12 service, of the total undiscounted monthly charges will apply to the remaining portion of the discount service term.

Should the customer choose to discontinue service ordered under a Term Discount plan after the minimum service period but before the completion of the discount period, discontinuance charges will apply. Discontinuance charges of fifteen percent for OC3/OC3c Service, and fifty percent for OC12 Service, of the total undiscounted monthly charges will apply to the remaining portion of the discount period. For example, a customer has an OC3 Service which it chooses to discontinue after 33 months into a 60-month service term. The discontinuance charge would be 0.15 times 27 months times the undiscounted monthly rates for that service.

Effective: December 1, 2020

4001 Rodney Parham Rd.
Little Rock, AR 72212

7. Special Access Service (Cont'd)7.2 Rate Regulations (Cont'd)7.2.9 Density Pricing Zones

A system of density pricing has been established wherein each serving wire center and each meet-point with another Telephone Company is assigned to a zone. Services designated as subject to competition may have rates and charges, as set forth in Section 17 following, which vary between zones for the same service.

Interoffice facilities (Channel Mileage Facility and Channel Mileage Termination) between serving wire centers, or between a serving wire center and a meet-point with another Telephone Company, in different density pricing zones shall be rated with the price from the highest priced zone associated with the specific circuit. Channel Terminations and other zoned special access services are rated from the serving wire center to which they are connected.

Density pricing zones, applicable to serving wire centers, are identified in National Exchange Carrier Association, Inc. Guidebook F.C.C. No. 4. Meet-points with another Telephone Company are assigned to density pricing zone 3.

Effective: December 1, 2020

4001 Rodney Parham Rd.
Little Rock, AR 72212

7. Special Access Service (Cont'd)7.2 Rate Regulations (Cont'd)7.2.10 Incremental Spend Discount Plan(A) General

The Incremental Spend Discount Plan (ISDP) is an optional discount plan that allows customers that subscribe (Participating Customer), that increase the amount of Qualifying Services (Qualifying Services) as defined in Section 7.2.10(D) following it purchases from the Telephone Company, to aggregate the increased revenue spend for all of its Qualifying Services on a national basis, and receive a discount in accordance with the discount schedule at Section 17.1.11.

The ISDP is a term plan consisting of 12 consecutive full billing periods (Term). The Initial Term is the first Term by a Participating Customer. A Subsequent Term is any consecutive Plan Term following the Initial Term. Participating Customers will not be allowed to enter into other ISDPs until the current Term of their initial or subsequent ISDP has expired. Prior to the end of the current Term, Participating Customers may elect a Subsequent Term pursuant to the terms of this Section including a recalculation of Base Revenue pursuant to Section 7.2.10(E) following or at the election of the Participating Customer, using the Base Revenue used to calculate the Incremental Spend for the Initial Term for up to four consecutive Subsequent Terms. Election of a Subsequent Term must be done in writing. If a Subsequent Term is not elected the customer will not be allowed to enter into a new ISDP for 12 months following the end of the current Term.

A Participating Customer shall include all affiliated entities currently purchasing or capable of purchasing Qualifying Services from the Telephone Company. For the purposes of the ISDP, "affiliated entity" refers to any person (i.e., including natural persons and organizations, partnerships, associations and corporations) that (directly or indirectly) owns (i.e., owning an equity interest or equivalent thereof of more than 10%) or controls, is owned or controlled by, or is under common ownership or control with another person.

Effective: December 1, 2020

4001 Rodney Parham Rd.
Little Rock, AR 72212

7. Special Access Service (Cont'd)7.2 Rate Regulations (Cont'd)7.2.10 Incremental Spend Discount Plan(B) Subscription Requirements

The Participating Customer's request for subscription to the ISDP must be in writing, and must include all of the following:

- (1) Participating Customer contact
- (2) Authorized Participating Customer signature
- (3) Participating Customer address
- (4) Requested ISDP Start Date
- (5) List of Access Customer Name Abbreviations (ACNA)
- (6) List of Billing Account Number (BAN), per state, where discounts will apply
- (7) Identification of all affiliated entities existing as of the requested ISDP start date.

(C) Access Customer Name Abbreviation (ACNA)

(1) ACNA(s) Subscribing to ISDP

For purposes of identifying the Participating Customer's ACNAs all ACNA's designated to the customer, including ACNA's of affiliated entities, will be included in the ISDP.

(2) Addition of an ACNA(s)

In the event the Participating Customer creates or acquires a new ACNA(s), the Participating Customer shall provide written notification no later than 30 days prior to the end of the ISDP Term. Such notification shall include a list of the affected ACNA(s) and the date that the Participating Customer created or acquired the new ACNA(s).

At the end of the ISDP Term, the Telephone Company shall modify the existing ISDP by adding the created or acquired ACNA(s) to the ISDP as defined in Section 7.2.10(E).

(3) Removal of an ACNA(s)

When an ACNA(s) is no longer owned by the Participating Customer, the Participating Customer shall provide written notification to the Telephone Company no later than 30 days prior to the end of the ISDP Term. Such notification shall include a list of the affected ACNA(s) and the date that the Participating Customer no longer owned the existing ACNA(s).

At the end of the ISDP Term, the Telephone Company shall modify the existing ISDP by removing the affected ACNA(s) from the ISDP as defined in Section 7.2.10(E).

Effective: December 1, 2020

4001 Rodney Parham Rd.
Little Rock, AR 72212

7. Special Access Service (Cont'd)7.2 Rate Regulations (Cont'd)7.2.10 Incremental Spend Discount Plan (Cont'd)(D) Qualifying Services

1. General

The ISDP will be administered as a single discount plan for which a single Term and discount, as defined in Section 17.1.11, shall apply. The Participating Customer will purchase Qualifying Services as specified within this guidebook.

2. Inclusion of Qualifying Services in ISDP

The Qualifying Services are included in the ISDP for purposes of determining the Base Revenue, Term Revenue as defined in 7.2.10(E).

3. Qualifying Services

(a) Qualifying Services are the current recurring billing month Special Access services and Ethernet Virtual LAN Services (EVLS) as defined in Section 23 following as purchased by the Participating Customer specified below:

- Channel Terminations
- Channel Mileage
- Optional Features and Functions
- EVLS per Mbps

(b) Should any Qualifying Service be de-guidebooked during the term of an ISDP, the Base Revenue and any Term Revenue of the de-guidebooked services will be removed from the ISDP.

(c) Special Access Qualifying Services that are provided as part of Mixed Use Facilities will be included in the ISDP. The Switched Access Portion for such services of the Mixed Use Facilities will not be included in the ISDP and will not be subject to the discount provided under the ISDP.

(E) Application of Discounts

Base Revenue is calculated on gross billed revenue for Qualifying Services.

Base Revenue is determined prior to the beginning of the Term. The Telephone Company will determine Base Revenue by averaging the billed revenue for three full months of Qualifying Services in the Participating Customer's ACNA(s) prior to the start of the Term and annualizing by multiplying by twelve.

Effective: December 1, 2020

4001 Rodney Parham Rd.
Little Rock, AR 72212

7. Special Access Service (Cont'd)7.2 Rate Regulations (Cont'd)7.2.10 Incremental Spend Discount Plan (Cont'd)(E) Application of Discounts (Cont'd)

Term Revenue is the revenue billed for Qualifying Services during the Term within the Participating Customer's ACNA(s), less past due or disputed billed amounts, which will not be included in the calculation of the Term Revenue.

Incremental Spend is the amount by which Term Revenue exceeds the Base Revenue.

When new ACNA(s) are added to the ISDP, Base Revenue and Term Revenue associated with the new ACNA(s) will be included in the ISDP based on the number of months remaining in the Term.

When ACNA(s) are removed from the ISDP, Base Revenue and Term Revenue of the removed ACNA(s) will be removed from the ISDP.

At the end of the Term the Telephone Company will:

1. Determine the Incremental Spend by subtracting Base Revenue from the Term Revenue;
2. Provide calculations to Participating Customer, by Certified U.S. Mail, within 30 days of the Term's last billing date;
3. If the Participating Customer disagrees with the Telephone Company calculation of the Incremental Spend, it must notify the Telephone Company in writing. This notification must be received by the Telephone Company no later than 90 days after the Term's last billing date;
4. If the Telephone Company has not received a written dispute from the Participating Customer within 90 days from the Term's last billing date, the appropriate discount as stated in Section 17.1.11 following will be applied to the BAN's identified in Section 7.2.10(B)(6). These provisions do not negate the customer's rights pursuant to Sections 208 and 415 of the Communications Act of 1934, as amended.

Effective: December 1, 2020

4001 Rodney Parham Rd.
Little Rock, AR 72212

7. Special Access Service (Cont'd)7.2 Rate Regulations (Cont'd)7.2.10 Incremental Spend Discount Plan (Cont'd)(F) Early Termination

If the Participating Customer terminates the ISDP prior to the end of the Term, the Participating Customer is not eligible and the Telephone Company will apply no ISDP discounts. Participating Customer may not enter into a new ISDP until the end date of the last Initial or Subsequent Term.

(G) Investigations and Audits

The Telephone Company has the right to investigate and audit all additions and removals of ACNA(s) as well as all requests to move, transfer or purchase Qualifying Services. The Participating Customer shall retain, for a minimum period of one year or of the Term of the ISDP whichever is longer, and shall make available to the Telephone Company for inspection accurate records pertaining to the creation, acquisition, or removal of ACNAs, the customer's status as a Participating Customer, and all issues affecting the Participating Customer's eligibility or provision of service under the ISDP. In turn, the Participating Customer may request that verification audits be conducted by an independent auditor in which case the Participating Customer will pay the associated auditing expenses. The Telephone Company may deny application of discounts or eligibility under the ISDP to the customer or Participating Customer accounts if the result of the audit or investigation by either party determines that the customer or Participating Customer is attempting to secure or obtain a higher or more advantageous discount under the ISDP, misrepresenting its status as a Participating Customer, or otherwise abusing the ISDP in any manner.

Effective: December 1, 2020

4001 Rodney Parham Rd.
Little Rock, AR 72212

7. Special Access Service (Cont'd)7.2 Rate Regulations (Cont'd)7.2.11 Early Termination Penalty Forgiveness Plan(A) General

The Early Termination Penalty Forgiveness Plan (ETPF) is an optional discount plan that allows customers that subscribe (Participating Customer), that increase the amount of Qualifying Services (Qualifying Services) as defined in Section 7.2.11(D) following it purchases from the Telephone Company, to aggregate the increased revenue spend for all of its Qualifying Services on a national basis, and receive a credit in accordance with the appropriate schedule listed in Section 17.1.12 on the termination charges incurred by the Participating Customer as described in Section 7.2.8 above.

The ETPF is a term plan consisting of 12 consecutive full billing periods (Term). The Initial Term is the first Term by a Participating Customer. A Subsequent Term is any consecutive Plan Term following the Initial Term. Participating Customers will not be allowed to enter into other ETPFs until the current Term of their initial or subsequent ETPF has expired. Prior to the end of the current Term, Participating Customers may elect a Subsequent Term pursuant to the terms of this Section including a recalculation of Base Revenue pursuant to Section 7.2.11(E) following or at the election of the Participating Customer, using the Base Revenue used to calculate the Incremental Spend for the Initial Term for up to four consecutive Subsequent Terms. Election of a Subsequent Term must be done in writing. If a Subsequent Term is not elected the customer will not be allowed to enter into a new ETPF for 12 months following the end of the current Term.

A Participating Customer shall include all affiliated entities currently purchasing or capable of purchasing Qualifying Services from the Telephone Company. For the purposes of the ETPF, "affiliated entity" refers to any person (i.e., including natural persons and organizations, partnerships, associations and corporations) that (directly or indirectly) owns (i.e., owning an equity interest or equivalent thereof of more than 10%) or controls, is owned or controlled by, or is under common ownership or control with another person.

Effective: December 1, 2020

4001 Rodney Parham Rd.
Little Rock, AR 72212

7. Special Access Service (Cont'd)7.2 Rate Regulations (Cont'd)7.2.11 Early Termination Penalty Forgiveness Plan (Cont'd)(B) Subscription Requirements

The Participating Customer's request for subscription to the ETPF must be in writing, and must include all of the following:

- (1) Participating Customer contact
- (2) Authorized Participating Customer signature
- (3) Participating Customer address
- (4) Requested ETPF Start Date
- (5) List of Access Customer Name Abbreviations (ACNA)
- (6) List of Billing Account Number (BAN), per state, where discounts will apply
- (7) Identification of all affiliated entities existing as of the requested ETPF start date.

(C) Access Customer Name Abbreviation (ACNA)

(1) ACNA(s) Subscribing to ETPF

For purposes of identifying the Participating Customer's ACNAs all ACNA's designated to the customer, including ACNA's of affiliated entities, will be included in the ETPF.

(2) Addition of an ACNA(s)

In the event the Participating Customer creates or acquires a new ACNA(s), the Participating Customer shall provide written notification no later than 30 days prior to the end of the ETPF Term. Such notification shall include a list of the affected ACNA(s) and the date that the Participating Customer created or acquired the new ACNA(s).

At the end of the ETPF Term, the Telephone Company shall modify the existing ETPF by adding the created or acquired ACNA(s) to the ETPF as defined in Section 7.2.11(E).

(3) Removal of an ACNA(s)

When an ACNA(s) is no longer owned by the Participating Customer, the Participating Customer shall provide written notification to the Telephone Company no later than 30 days prior to the end of the ETPF Term. Such notification shall include a list of the affected ACNA(s) and the date that the Participating Customer no longer owned the existing ACNA(s).

At the end of the ETPF Term, the Telephone Company shall modify the existing ETPF by removing the affected ACNA(s) from the ETPF as defined in Section 7.2.11(E).

Effective: December 1, 2020

4001 Rodney Parham Rd.
Little Rock, AR 72212

7. Special Access Service (Cont'd)7.2 Rate Regulations (Cont'd)7.2.11 Early Termination Penalty Forgiveness Plan (Cont'd)(D) Qualifying Services

(1) General

The ETPF will be administered as a single discount plan for which a single Term and discount, as defined in Section 17.1.12, shall apply. The Participating Customer will purchase Qualifying Services as specified within this guidebook.

(2) Inclusion of Qualifying Services in ETPF

The Qualifying Services are included in the ETPF for purposes of determining the Base Revenue, Term Revenue as defined in 7.2.11(E).

(3) Qualifying Services

(a) Qualifying Services are the current recurring billing month Special Access services and EVLS as defined in Section 23 following as purchased by the Participating Customer specified below:

- Channel Terminations
- Channel Mileage
- Optional Features and Functions
- EVLS per Mbps

(b) Should any Qualifying Service be de-tariffed during the term of an ETPF, the Base Revenue and any Term Revenue of the de-tariffed services will be removed from the ETPF.

(c) Special Access Qualifying Services that are provided as part of Mixed Use Facilities will be included in the ETPF. The Switched Access Portion for such services of the Mixed Use Facilities will not be included in the ETPF and will not be subject to the discount provided under the ETPF.

(E) Application of Discounts

Base Revenue is calculated on gross billed revenue for Qualifying Services.

Base Revenue is determined prior to the beginning of the Term. The Telephone Company will determine Base Revenue by averaging the billed revenue for three full months of Qualifying Services in the Participating Customer's ACNA(s) prior to the start of the Term and annualizing by multiplying by twelve.

Effective: December 1, 2020

4001 Rodney Parham Rd.
Little Rock, AR 72212

7. Special Access Service (Cont'd)7.2 Rate Regulations (Cont'd)7.2.11 Early Termination Penalty Forgiveness Plan (Cont'd)(E) Application of Discounts (Cont'd)

Term Revenue is the revenue billed for Qualifying Services during the Term within the Participating Customer's ACNA(s), less past due or disputed billed amounts, which will not be included in the calculation of the Term Revenue.

Incremental Spend is the amount by which Term Revenue exceeds the Base Revenue.

When new ACNA(s) are added to the ETPF, Base Revenue and Term Revenue associated with the new ACNA(s) will be included in the ETPF based on the number of months remaining in the Term.

When ACNA(s) are removed from the ETPF, Base Revenue and Term Revenue of the removed ACNA(s) will be removed from the ETPF.

At the end of the Term the Telephone Company will:

- (1) Determine the Incremental Spend by subtracting Base Revenue from the Term Revenue;
- (2) Provide calculations to Participating Customer, by Certified U.S. Mail, within 30 days of the Term's last billing date;
- (3) If the Participating Customer disagrees with the Telephone Company calculation of the Incremental Spend, it must notify the Telephone Company in writing. This notification must be received by the Telephone Company no later than 90 days after the Term's last billing date;
- (4) If the Telephone Company has not received a written dispute from the Participating Customer within 90 days from the Term's last billing date, the appropriate Dollar or Percentage based discount (whichever was selected by the Participating Customer at the start of the ETPF) will be applied as stated in Section 17.1.12 following to the BAN's identified in Section 7.2.11(B)(6). These provisions do not negate the customer's rights pursuant to Sections 208 and 415 of the Communications Act of 1934, as amended.

Effective: December 1, 2020

4001 Rodney Parham Rd.
Little Rock, AR 72212

7. Special Access Service (Cont'd)7.2 Rate Regulations (Cont'd)7.2.11 Early Termination Penalty Forgiveness Plan (Cont'd)(F) Early Termination

If the Participating Customer terminates the ETPF prior to the end of the Term, the Participating Customer is not eligible and the Telephone Company will apply no ETPF discounts. Participating Customer may not enter into a new ETPF until the end date of the last Term.

(G) Investigations and Audits

The Telephone Company has the right to investigate and audit all additions and removals of ACNA(s) as well as all requests to move, transfer or purchase Qualifying Services. The Participating Customer shall retain, for a minimum period of one year or of the Term of the ETPF whichever is longer, and shall make available to the Telephone Company for inspection accurate records pertaining to the creation, acquisition, or removal of ACNAs, the customer's status as a Participating Customer, and all issues affecting the Participating Customer's eligibility or provision of service under the ETPF. In turn, the Participating Customer may request that verification audits be conducted by an independent auditor in which case the Participating Customer will pay the associated auditing expenses. The Telephone Company may deny application of discounts or eligibility under the ETPF to the customer or Participating Customer accounts if the result of the audit or investigation by either party determines that the customer or Participating Customer is attempting to secure or obtain a higher or more advantageous discount under the ETPF, misrepresenting its status as a Participating Customer, or otherwise abusing the ETPF in any manner.

Effective: December 1, 2020

4001 Rodney Parham Rd.
Little Rock, AR 72212

7. Special Access Service (Cont'd)7.3 Surcharge for Special Access Service7.3.1 General

Special access services provided under this guidebook may be subject to the monthly Special Access Surcharge.

7.3.2 Application

- (A) The Special Access Surcharge will apply to each interstate Special Access Service that terminates on an end user's PBX or other device, where through a function of the device, the Special Access Service interconnects to the local exchange network. Interconnection functions include, but are not limited to, wiring and software functions, bridging, switching or patching of calls or stations. The Surcharge will apply irrespective of whether the interconnection function is performed in equipment located at the customer's premises or in a Centrex CO-type switch.
- (B) Special Access Service will be exempted from the Surcharge by the Telephone Company upon receipt of the customer's written certification for the following Special Access Service terminations:
- (1) an open-end termination in a Telephone Company switch of an FX line, including CCSA and CCSA-equivalent ONALs; or
 - (2) an analog channel termination that is used for radio or television program transmission; or
 - (3) a termination used for TELEX service; or
 - (4) a termination that by the nature of its operating characteristics could not make use of Telephone Company common lines such as, terminations which are restricted through hardware or software; or

Effective: December 1, 2020

4001 Rodney Parham Rd.
Little Rock, AR 72212

7. Special Access Service (Cont'd)7.3 Surcharge for Special Access Service7.3.2 Application (Cont'd)

(B) (Cont'd)

- (5) a termination that interconnects either directly or indirectly to the local exchange network where the usage is subject to Carrier Common Line charges such as, where the Special Access Service accesses only FGA and no local exchange lines, or Special Access Service between customer points of termination, or Special Access Service connecting CCSA or CCSA-type equipment (inter-machine trunks); or
- (6) a termination that the customer certifies to the Telephone Company is not connected to a PBX or other device which interconnects the Special Access Service to a local exchange subscriber line.

7.3.3 Exemption of Special Access Service

- (A) Special Access Services which are terminated as set forth in 7.3.2(B) preceding will be exempted from the Special Access Surcharge if the customer provides the Telephone Company with written exemption certification. The certification may be provided to the Telephone Company as follows:
- at the time the Special Access Service is ordered or installed;
 - at such time as the service is reterminated to a device which does not interconnect the service to local exchange facilities; or
 - at such time as the service becomes associated with a Switched Access Service that is subject to Carrier Common Line Charges.

Effective: December 1, 2020

4001 Rodney Parham Rd.
Little Rock, AR 72212

7. Special Access Service (Cont'd)7.3 Surcharge for Special Access Service7.3.3 Exemption of Special Access Services (Cont'd)

- (B) The exemption certification is to be provided by the customer ordering the service. The certification must be signed by the customer or authorized representative and include the category of exemption, as set forth in 7.3.2(B) preceding, for each termination, and the date which the exemption is effective.
- (C) The customer shall also notify the Telephone Company when an exempted Special Access Service is changed or reterminated such that the exemption is no longer applicable.
- (D) The Telephone Company will work cooperatively with the customer to resolve any questions regarding the exemption certification. In addition, the Telephone Company may withhold exemption of the service until the questions are resolved.

7.3.4 Rate Regulations

- (A) The surcharge will apply as set forth in 7.3.2(A) preceding, except that a surcharge will be assessed on a per voice grade equivalent basis for Special Access Services derived from High Capacity Special Access Services as illustrated in the following example:

<u>Special Access Service</u>	<u>Voice Grade Equivalent</u>	<u>Surcharge</u>	<u>Monthly Charge</u>
DS1	24	x 25	= \$600.00

The preceding example illustrates the maximum number of surcharges applicable to a DS1. If the customer claims exemption(s) as set forth in 7.3.3 preceding or, is not utilizing all available voice grade equivalents and has spare capacity, the number of surcharges would be reduced accordingly.

In the case of multipoint Special Access Services, one Special Access Surcharge will apply for each termination of a Special Access Channel at an end user's premises.

Effective: December 1, 2020

4001 Rodney Parham Rd.
Little Rock, AR 72212

7. Special Access Service (Cont'd)7.3 Surcharge for Special Access Service7.3.4 Rate Regulations (Cont'd)

(B) The Telephone Company will bill the appropriate Special Access Surcharge to the ordering customer for each interstate Special Access Service installed unless exemption certification is provided as set forth in 7.3.3 preceding.

(C) If a written certification is not received at the time the Special Access Service is obtained, the Surcharge will be applied. Exempt status will become effective on the certification date indicated by the customer, subject to the regulations set forth in (D) following.

(D) Crediting the Surcharge

The Telephone Company will cease billing the Special Access Surcharge when certification, as set forth in 7.3.3. preceding, is received. If the status of the Special Access Service was changed prior to receipt of the exemption certification, the Telephone Company will credit the customer's account, not to exceed ninety (90) days, based on the effective date of the change as specified by the customer in the letter of certification.

Effective: December 1, 2020

4001 Rodney Parham Rd.
Little Rock, AR 72212

7. Special Access Service7.4 Metallic Service7.4.1 Basic Channel Description

A Metallic channel is an unconditioned two-wire channel arranged to transmit direct current and capable of transmitting low speed varying signals at rates up to 30 baud. This channel is provided by metallic or equivalent facilities. Metallic channels are provided between customer designated premises or between a customer designated premises and a Telephone Company hub or hubs where bridging functions are performed. Interoffice metallic facilities will be limited in length to a total of five miles per channel.

Metallic Special Access services are typically used for applications such as alarm, pilot wire protective relaying, and dc tripping protective relaying. These examples of applications are not intended to limit a customer's use of the channel nor to imply that the channel is limited to a particular use.

It is expressly declared that metallic facilities are in continually decreasing supply and the Company is not obligated to continue to provide such facilities. Due to facility rearrangements, continued use of metallic facilities may be denied to existing customers with no obligation on the Company's part to pay customer equipment rearrangement costs. The Company will give the customer 90 days notification of this type of facility rearrangements. Metallic facilities are provided only where existing facilities and operating conditions permit.

Rates and charges for Special Access Metallic Service are as set forth in 17.3.2 following. Technical Reference publications for Special Access Metallic Service are listed in 7.1.2(F) preceding.

7.4.2 Technical Specifications Packages and Network Channel Interfaces

Technical Specifications Packages are set forth in 15.1.1(A) following. Compatible network channel interfaces are set forth in 15.1.2(C)(1) following.

7.4.3 Optional Features and FunctionsCentral Office Bridging Capability

- (A) Three Premises Bridging - Provision of tip-to-tip and ring-to-ring connection in a central office of a metallic pair to a third customer designated premises.
- (B) Series Bridging of up to 26 customer designated premises.

The table set forth in 15.1.1(A) following shows the technical specifications packages with which the optional features and functions are available.

Effective: December 1, 2020

4001 Rodney Parham Rd.
Little Rock, AR 72212

7. Special Access Service (Cont'd)7.5 Telegraph Grade Service7.5.1 Basic Channel Description

A Telegraph Grade channel is an unconditioned channel capable of transmitting binary signals at rates of 0-75 baud or 0-150 baud. This channel is furnished for half-duplex or duplex operation. Telegraph Grade channels are provided between customer designated premises or between a customer designated premises and a Telephone Company hub or hubs.

Telegraph Grade Special Access services are typically used for applications such as teletypewriter, telegraph grade control/remote metering, telegraph grade channel, telegraph grade extension, and telegraph grade entrance facilities. These examples of applications are not intended to limit a customer's use of the channel nor to imply that the channel is limited to a particular use.

Rates and charges for Special Access Telegraph Grade Service are as set forth in 17.3.3 following. Technical Reference publications for Special Access Telegraph Service are listed in 7.1.2(F) preceding.

7.5.2 Technical Specifications Packages and Network Channel Interfaces

Technical Specifications Packages are set forth in 15.1.1(B) following. Compatible network channel interfaces are set forth in 15.1.2(C)(2) following.

7.5.3 Optional Features and Functions

(A) Telegraph Bridging (two-wire and four-wire)

The table set forth in 15.1.1(B) following shows the technical specifications packages with which the optional features and functions are available.

Effective: December 1, 2020

4001 Rodney Parham Rd.
Little Rock, AR 72212

7. Special Access Service (Cont'd)7.6 Voice Grade Service7.6.1 Basic Channel Description

A Voice Grade channel is a channel which provides voice frequency transmission capability in the nominal frequency range of 300 to 3000 Hz and may be terminated two-wire or four-wire. Voice Grade channels are provided between customer designated premises, between a customer designated premises and a Telephone Company hub or hubs, or between a customer designated premises and a WATS Serving Office (WSO).

Voice Grade Special Access services are typically used for voice and voiceband data applications. Typical examples of voice grade circuits are Foreign Exchange lines (station end only), multipoint private line, voice trunk type, two-point voice grade data (one-way or simultaneous two-way), multipoint voice grade data, and voice grade telephoto or facsimile. These examples of applications are not intended to limit a customer's use of the channel nor to imply that the channel is limited to a particular use.

Rates and charges for Special Access Voice Grade Service are as set forth in 17.3.4 following. Technical Reference publications for Special Access Voice Grade Service are listed in 7.1.2(F) preceding.

7.6.2 Technical Specifications Packages and Network Channel Interfaces

Technical Specifications Packages are set forth in 15.1.1(C) following. Compatible network channel interfaces are set forth in 15.1.2(C)(3) following.

7.6.3 Optional Features and Functions(A) Central Office Bridging Capability

- (1) Voice Bridging (two-wire and four-wire)
- (2) Data Bridging (two-wire and four-wire)
- (3) Telephoto Bridging (two-wire and four-wire)
- (5) DATAPHONE Select-A-Station Bridging with sequential arrangement ports or addressable arrangement ports

Effective: December 1, 2020

4001 Rodney Parham Rd.
Little Rock, AR 72212

7. Special Access Service (Cont'd)7.6 Voice Grade Service (Cont'd)7.6.3 Optional Features and Functions (Cont'd)(A) Central Office Bridging Capability (Cont'd)

(5) Telemetry and Alarm Bridging

Split Band, Active Bridging Passive Bridging
Summation, Active Bridging

The rates for these options are set forth in
17.3.4(C)(1) following.

(B) Central Office Multiplexing

Voice to Telegraph Grade. An arrangement that
converts a Voice Grade channel to Telegraph Grade
channels using frequency division multiplexing.

The rate for this option is set forth in 17.3.4(C)(5)
following.

(C) Conditioning

Conditioning provides more specific transmission
characteristics for Voice Grade services. The rates
for these options are set forth in 17.3.4(C)(2)
following.

For two-point services, the parameters apply to each
service as measured end-to-end. For multipoint
services, the parameters apply as measured on each
mid-link or as measured on each end link. C-Type
conditioning and Data Capability may be combined on
the same service.

Effective: December 1, 2020

4001 Rodney Parham Rd.
Little Rock, AR 72212

7. Special Access Service (Cont'd)7.6 Voice Grade Service (Cont'd)7.6.3 Optional Features and Functions (Cont'd)(C) Conditioning (Cont'd)(1) C-Type Conditioning

C-Type Conditioning is provided for the additional control of attenuation distortion and envelope delay distortion on data services. The attenuation distortion and envelope delay distortion specifications for C-Type Conditioning are delineated in Technical Reference(s) for Voice Grade service.

(2) Improved Attenuation Distortion*

Improved Attenuation Distortion upgrades the frequency versus loss limits of the channel. The technical specifications for Improved Attenuation Distortion are delineated in Technical Reference(s) for Voice Grade service. This option is available only when ordered in combination with C-Type Conditioning.

(3) Improved Envelope Delay Distortion*

Improved Envelope Delay Distortion upgrades the frequency versus delay response limits of the channel. The technical specifications for Improved Envelope Delay Distortion are delineated in Technical Reference(s) for Voice Grade service. This option is available only when ordered in combination with C-Type Conditioning.

* Improved Attenuation Distortion and Improved Envelope Delay Distortion will continue to be provided to all customers who were provided with either or both of these optional features in conjunction with C-Type Conditioning prior to May 4, 1988.

7. Special Access Service (Cont'd)7.6 Voice Grade Service (Cont'd)7.6.3 Optional Features and Functions (Cont'd)(C) Conditioning (Cont'd)(4) Data Capability (D Conditioning)

Data Capability provides transmission characteristics suitable for data communications. Specifically, Data Capability provides for the control of Signal to C-Notched Noise Ratio and intermodulation distortion. It is available for two-point services or three-point multipoint services.

The Signal to C-Notched Noise Ratio and intermodulation distortion parameter for Data Capability are delineated in Technical Reference(s) for Voice Grade service. The rate for this option is set forth in 17.3.4(C)(2) following.

When a service equipped with Data Capability is used for voice communications, the quality of the voice transmission may not be satisfactory.

(5) Telephoto Capability

Telephoto Capability provides transmission characteristics suitable for telephotographic communications. Specifically, Telephoto Capability is provided for the control of attenuation distortion and envelope delay distortion on telephotographic services. The attenuation distortion and envelope delay distortion parameters for Telephoto Capability are delineated in Technical Reference(s) for Voice Grade service. The rate for this option is set forth in 17.3.4(C)(2) following.

(6) Sealing Current Conditioning

Sealing Current Conditioning is provided to help maintain continuity on dry metallic loops. It is usually associated with four-wire DA or NO type network channel interfaces.

Effective: December 1, 2020

4001 Rodney Parham Rd.
Little Rock, AR 72212

7. Special Access Service (Cont'd)7.6 Voice Grade Service (Cont'd)7.6.3 Optional Features and Functions (Cont'd)(D) Customer Specified Premises Receive Level

This option allows the customer to specify the receive level at the Point of Termination. The level must be within a specific range on effective four-wire transmission. The ranges are delineated in Technical Reference(s) for Voice Grade service. The rate for this option is set forth in 17.3.4(C) (4) following.

(E) Improved Return Loss

(1) On Effective Four-Wire Transmission at Four-Wire Point of Termination (applicable to each two-wire port): Provides for a fixed 600 ohm impedance, variable level range and simplex reversal. Telephone Company equipment is required at the customer's premises where this option is ordered. The Improved Return Loss parameters are delineated in Technical Reference(s) for Voice Grade service. The rate for this option is set forth in 17.3.4(C) (3) following.

(2) On Effective Two-Wire Transmission at Two-Wire Point of Termination: Provides for more stringent Echo Control specifications. In order for this option to be applicable, the transmission path must be four-wire at one POT and two-wire at the other POT. Placement of Telephone Company equipment may be required at the customer's premises with the two-wire POT. The Improved Return Loss parameters are delineated in Technical Reference(s) for Voice Grade service. The rate for this option is set forth in 17.3.4(C) (3) following.

(F) Signaling Capability

Signaling Capability provides for the ability to transmit signals from one customer premises to another customer premises on the same service. The rate for this option is set forth in 17.3.4(C) (6) following.

Network channel interfaces for Voice Grade Special Access service requiring signaling capability can be found in applicable Technical Reference publications listed in 7.1.2(F) preceding.

Effective: December 1, 2020

4001 Rodney Parham Rd.
Little Rock, AR 72212

7. Special Access Service (Cont'd)7.6 Voice Grade Service (Cont'd)7.6.3 Optional Features and Functions (Cont'd)(G) Selective Signaling Arrangement

An arrangement that permits code selective ringing for up to ten codes on a multipoint service. The rate for this option is set forth in 17.3.4(C) (7) following.

(H) Transfer Arrangement

An arrangement that affords the customer an additional measure of flexibility in the use of an access channel(s). The arrangement can be utilized to transfer a leg of a Special Access Service to another channel that terminates in either the same or a different customer premises. A key activated or dial-up control service is required to operate the transfer arrangement. A spare channel, if required, is not included as part of the option. The rate for this option is set forth in 17.3.4(C) (8) following.

(I) Public Packet Switching Network (PPSN) Interface Arrangement

An arrangement that provides the interface requirements that permit a Voice Grade service to interface with a Public Packet Switching Network packet switch located in a Telephone Company premises. The interface is compatible with X.25 and X.75 packet switching protocols as defined by the CCITT. This option is provided on an Individual Case Basis as set forth in 17.3.4(C) (9) following.

(J) Four-Wire/Two-Wire Conversions

When a customer requests that an effective four-wire channel be terminated with a two-wire channel interface at the customer designated premises, a four-wire to two-wire conversion is required. The customer will be charged the four-wire Channel Termination rate as set forth in 17.3.4(A) following when an effective four-wire is specified in the order for service. The rate for the conversion is included as part of the basic four-wire Channel Termination rate.

Effective: December 1, 2020

4001 Rodney Parham Rd.
Little Rock, AR 72212

7. Special Access Service (Cont'd)

7.6 Voice Grade Service (Cont'd)

7.6.3 Optional Features and Functions (Cont'd)

(K) Improved Two-Wire Voice Transmission

(1) Loss Deviation

The maximum Loss Deviation of the 1004 Hz loss relative to the Expected Measured Loss (EML) is -4.0 dB to +4.0 dB.

(2) Attenuation Distortion

The maximum Attenuation Distortion in the 404 to 280 Hz frequency band relative to loss at 1004 Hz is -2.0 dB to +6.0 dB.

(3) C-Message Noise

The maximum C-Message Noise for the transmission path at the route miles listed is less than:

<u>Route Miles</u>	<u>C-Message Noise</u>
less than 50	35 dBrnc
51 to 100	37 dBrnc
101 to 200	40 dBrnc
201 to 400	43 dBrnc
401 to 1000	45 dBrnc

(4) Return Loss

The Return Loss, expressed as Echo Return Loss (ERL) and Singing Return Loss (SRL), is equal to or greater than:

ERL	13.0 dB
SRL	6.0 dB

The rate for the provision of Improved Two-Wire Voice Transmission is included as part of the basic Channel Termination rate.

(L) Improved Termination Option

Improved Termination provides for a fixed 600 ohm impedance, an extended range of transmission levels, and simplex reversal (when applicable) on an effective four-wire channel. Telephone Company equipment is required at the Customer's premise where this option is ordered. The rate for this option is set forth in 17.3.4(C)(10) following, and is applied per Channel Termination.

Effective: December 1, 2020

4001 Rodney Parham Rd.
Little Rock, AR 72212

7. Special Access Service (Cont'd)7.7 Program Audio Service7.7.1 Basic Channel Description

A Program Audio channel is a channel with bandwidth measured in Hz for the transmission of a complex signal voltage. The actual bandwidth is a function of the channel interface selected by the customer. Only one-way transmission is provided. Program Audio channels are provided between customer designated premises or between a customer designated premises and a Telephone Company hub or hubs.

Program Audio Special Access services are typically used in full-time and part-time applications for radio broadcasting, noncommercial educational audio, and wired music. These examples of applications are not intended to limit a customer's use of the channel nor to imply that the channel is limited to a particular use.

Rates and charges for Special Access Program Audio Service are as set forth in 17.3.5 following. Technical Reference publications for Special Access Program Audio Service are listed in 7.1.2(F) preceding.

7.7.2 Technical Specifications Packages and Network Channel Interfaces

Technical Specifications Packages are set forth in 15.1.1(D) following. Compatible network channel interfaces are set forth in 15.1.2(C) (4) following.

7.7.3 Optional Features and Functions(A) Central Office Bridging Capability

Distribution Amplifier

(B) Gain Conditioning

Control of 1004 Hz AML at initiation of service to 0 dB \pm 0.5 dB.

Effective: December 1, 2020

4001 Rodney Parham Rd.
Little Rock, AR 72212

7. Special Access Service (Cont'd)7.7 Program Audio Service (Cont'd)7.7.3 Optional Features and Functions (Cont'd)(C) Stereo

Provision of a pair of gain/phase equalized channels for stereo applications. (An additional Program Audio channel must be ordered separately.)

The table set forth in 15.1.1(D) following shows the technical specifications packages with which the optional features and functions are available.

Effective: December 1, 2020

4001 Rodney Parham Rd.
Little Rock, AR 72212

7. Special Access Service (Cont'd)7.8 Video Service7.8.1 Basic Channel Description

A Video channel is a channel with one-way transmission capability for a standard 525 line/60 field monochrome, or National Television Systems Committee color, video signal and one or two associated 5 or 15 kHz audio signal(s). The associated audio signal(s) may be either diplexed or provided as one or two separate channels. The provision and the bandwidth of the associated audio signal(s) is a function of the channel interface selected by the customer. Video channels are provided between customer designated premises or between a customer designated premises and a Telephone Company hub or hubs.

Rates and charges for Special Access Video Service are as set forth in 17.3.6 following. Technical Reference publications for Special Access Video Service are listed in 7.1.2(F) preceding.

7.8.2 Technical Specifications Packages and Network Channel Interfaces

Technical Specifications Packages are set forth in 15.1.1(E) following. Compatible network channel interfaces are set forth in 15.1.2(C) (5) following.

The following network channel interfaces (NCIs) define the bandwidth and the provision of the audio signal(s) associated with a Video channel:

<u>NCI</u>	<u>Audio Bandwidth</u>	<u>Provision</u>
2TV6-1	15kHz	1 Channel, diplexed
2TV6-2	15kHz	2 Channels, diplexed
2TV7-1	15kHz	1 Channel, diplexed
2TV7-2	15kHz	2 Channels, diplexed
4TV6-5	5kHz	1 Channel, separate
4TV6-15	15kHz	1 Channel, separate
4TV7-5	5kHz	1 Channel, separate
4TV7-15	15kHz	1 Channel, separate
6TV6-5	5kHz	2 Channels, separate
6TV6-15	15kHz	2 Channels, separate
6TV7-5	5kHz	2 Channels, separate
6TV7-15	15kHz	2 Channels, separate

Effective: December 1, 2020

4001 Rodney Parham Rd.
Little Rock, AR 72212

7. Special Access Service (Cont'd)7.9 Digital Data Service7.9.1 Basic Channel Description

A Digital Data channel is a channel for duplex four-wire transmission of synchronous serial data at the rate of 2.4, 4.8, 9.6, 19.2, 56 or 64 Kbps. The actual bit rate is a function of the channel interface selected by the customer. The channel provides a synchronous service with timing provided by the Telephone Company through the Telephone Company's facilities to the customer in the received bit stream. Digital Data channels are only available via Telephone Company designated hubs and are provided between customer designated premises or between a customer designated premises and a Telephone Company hub or hubs. The 64 Kbps speed requires B8ZS Line Code Formatted Signal as described in Technical Reference TR-NPL-000054. The wire centers providing CCC are identified in NATIONAL EXCHANGE CARRIER ASSOCIATION, INC., WIRE CENTER INFORMATION, GUIDEBOOK F.C.C. NO. 4.

The customer may provide the Channel Service Unit-type equipment or other Network Channel Terminating Equipment associated with the Digital Data channel at the customer premises.

The Telephone Company will provide a channel capable of meeting a monthly average performance equal to or greater than 99.875% error-free seconds (if provided through a Digital Data hub) while the channel is in service, if it is measured through a CSU equivalent which is designed, manufactured, and maintained to conform with the specifications contained in Technical Reference(s) for Digital Data Service.

Rates and charges for Special Access Digital Data Service are as set forth in 17.3.7 following. Technical Reference publications for Special Access Digital Data Service are listed in 7.1.2(F) preceding.

Effective: December 1, 2020

4001 Rodney Parham Rd.
Little Rock, AR 72212

7. Special Access Service (Cont'd)7.9 Digital Data Service7.9.2 Technical Specifications Packages and Network Channel Interfaces

Technical Specifications Packages are set forth in 15.1.1(F) following. Compatible channel interfaces are set forth in 15.1.2(C)(6) following.

The following network channel interfaces (NCIs) define the bit rates that are available for a Digital Data channel:

<u>NCI</u>	<u>Bit Rate</u>
DU-24	2.4 Kbps
DU-48	4.8 Kbps
DU-96	9.6 Kbps
DU-19	19.2 Kbps
DU-56	56.0 Kbps
DU-64	64.0 Kbps

7.9.3 Optional Features and Functions(A) Central Office Bridging Capability

The bridging functions performed are to connect three or more customer designated premises in a multipoint arrangement. Bridging is not available on a 64.0 kbps channel.

(B) Transfer Arrangement

An arrangement that affords the customer an additional measure of protection and/or flexibility in the use of their access channel(s) on a 1xN basis. The arrangement can be utilized to transfer a leg of a Special Access Service to either a spare or working channel that terminates in either the same or a different customer designated premises. This arrangement is only available at a Telephone Company designated hub. A key activated or dial-up control service is required to operate the transfer arrangement. A spare channel, if required, is not included as a part of the option.

Effective: December 1, 2020

4001 Rodney Parham Rd.
Little Rock, AR 72212

7. Special Access Service (Cont'd)7.9 Digital Data Service (Cont'd)7.9.3 Optional Features and Functions (Cont'd)(C) Public Packet Switching Network (PPSN) Interface Arrangement

An arrangement that provides the interface requirements that permit a Digital Data Service to interface with a Public Packet Switching Network packet switch located in a Telephone Company premises. The interface is compatible with X.25 and X.75 packet switching protocols as defined by the CCITT.

The table set forth in 15.1.1(F) following shows the technical specifications packages with which the optional features and functions are available.

(D) Public Packet Data Service Interface Arrangement

An arrangement that provides for the interface requirements that permit a Digital Data Service to interface with a Public Packet Data switch located in a Telephone Company premises. The interface is compatible with Frame Relay packet switching protocols. The interface is only available for 56.0 kbps and 64.0 kbps rates.

The table set forth in 15.1.1(F) following shows the technical specifications packages with which the optional features and functions are available.

(E) Secondary Channel Capability

The secondary channel option provides the customer with the capability to derive an independent, slower speed auxiliary (secondary) channel that operates in parallel with a primary Digital Data Channel without reducing the operating speed of the primary channel. It is available for all speeds of 2.4, 4.8, 9.6, 19.2 and 56 kbps channels. For 56 kbps channels, the option may be used only in two-point configurations which do not require the installation of loop repeater equipment. The technical parameters for the channels with a secondary channel option are set forth in Technical Publication - TR-62310. The speeds of the secondary channels are as follows:

133 bps with a primary 2.4 kbps channel
266 bps with a primary 4.8 kbps channel
533 bps with a primary 9.6 kbps channel
1,066 bps with a primary 19.2 kbps channel
2,666 bps with a primary 56 kbps channel

This optional feature is subject to availability.

Effective: December 1, 2020

4001 Rodney Parham Rd.
Little Rock, AR 72212

7. Special Access Service (Cont'd)7.10 High Capacity Service7.10.1 Basic Channel Description

A High Capacity channel is a channel for the transmission of nominal 64.0 Kbps* or 1.544, or 44.736 Mbps isochronous serial data. The actual bit rate is a function of the channel interface selected by the customer. High Capacity channels are provided between customer designated premises or between a customer designated premises and a Telephone Company hub or hubs.

The customer may provide the Network Channel Terminating Equipment associated with the High Capacity channel at the customer's premises.

A channel with technical specifications package HC1 will be capable of an error-free second performance of 98.75% over a continuous 24 hour period as measured at the 1.544 Mbps rate through a CSU equivalent which is designed, manufactured, and maintained to conform with the specifications contained in Technical Reference(s) for High Capacity Service.

Rates and charges for Special Access High Capacity Service are as set forth in 17.1.8 following. Technical Reference publications for Special Access High Capacity service are listed in 7.1.2(F) preceding.

- * Available only as a channel of a 1.544 Mbps facility to a Telephone Company Digital Data hub or as a cross connect of two 2.4, 4.8, 9.6, 56.0 or 64.0 Kbps channels of two 1.544 Mbps facilities to a Digital Data hub(s). The customer must provide system and channel assignment data.

Effective: December 1, 2020

4001 Rodney Parham Rd.
Little Rock, AR 72212

7. Special Access Service (Cont'd)7.10 High Capacity Service (Cont'd)7.10.2 Technical Specifications Packages and Network Channel Interfaces

Technical Specifications Packages are set forth in 15.1.1(G) following. Compatible channel interfaces are set forth in 15.1.2(C) (7) following.

The following network channel interfaces (NCIs) define the bit rates that are available for a High Capacity channel:

<u>NCI</u>	<u>Bit Rate</u>
DS-15*	1.544 Mbps (DS1)
DS-44	44.736 Mbps (DS3)

* A 64.0 Kbps channel is available as a channel(s) of a 1.544 Mbps channel to a Telephone Company hub.

7. Special Access Service (Cont'd)7.10 High Capacity Service (Cont'd)7.10.3 Optional Features and Functions(A) Automatic Loop Transfer

The Automatic Loop Transfer provides protection on a 1xN basis against failure of the facilities between a customer designated premises and the wire center serving that premises. Protection is furnished through the use of a switching arrangement that automatically switches to a spare channel line when a working line fails. The spare channel is not included as a part of the option. This option requires compatible equipment at both the serving wire center and the customer designated premises. The customer is responsible for providing the equipment at its designated premises. Equipment at the customer designated premises will be provided under guidebook only if it existed in the Telephone Company inventory as of November 18, 1983.

(B) Transfer Arrangement

An arrangement that affords the customer an additional measure of flexibility in the use of their access channel(s). The arrangement can be utilized to transfer a leg of a Special Access Service to either a spare or working channel that terminates in either the same or a different customer designated premises. A key activated or dial-up control service is required to operate the transfer arrangement. A spare channel, if required, is not included as part of the option.

Effective: December 1, 2020

4001 Rodney Parham Rd.
Little Rock, AR 72212

7. Special Access Service (Cont'd)7.10 High Capacity Service (Cont'd)7.10.3 Optional Features and Functions (Cont'd)(C) Central Office Multiplexing(1) DS3 to DS1

An arrangement that converts a 44.736 Mbps channel to 28 DS1 channels using digital time division multiplexing.

(2) DS1 to Voice

An arrangement that converts a 1.544 Mbps channel to 24 channels for use with Voice Grade Services. A channel(s) of this DS1 to the Hub can also be used for a Digital Data Service.

(3) DS1 to DS0

An arrangement that converts a 1.544 Mbps channel to 23 64.0 Kbps channels utilizing digital time division multiplexing.

(4) DS0 to Subrate

An arrangement that converts a 64.0 Kbps channel to subspeeds of up to twenty 2.4 Kbps, ten 4.8 Kbps, or five 9.6 Kbps channels using digital time division multiplexing.

The table set forth in 15.1.1(G) following shows the technical specifications packages with which the optional features and functions are available.

Effective: December 1, 2020

4001 Rodney Parham Rd.
Little Rock, AR 72212

7. Special Access Service (Cont'd)7.10 High Capacity Service (Cont'd)7.10.3 Optional Features and Functions (Cont'd)(D) Clear Channel Capability (CCC)

- (1) CCC is an arrangement that allows a customer to transport 1.536 Mbps information rate signals over a 1.544 Mbps High Capacity channel or over a 1.544 Mbps High Capacity channel derived from a multiplexed 44.736 Mbps High Capacity channel with no constraint on the quantity or sequence of one and zero bits. This arrangement requires the customer signal at the channel interface to conform to Bipolar with Eight Zero Substitution (B8ZS) line code as described in Technical Reference TR-NPL-000054.
- (2) CCC is provided, subject to availability of facilities, on DS1/1.544 Mbps High Capacity channels between two customer designated premises and on multiplexed DS3/44.736 Mbps High Capacity channels or multiplexed DS1/1.544 Mbps High Capacity channels between a telephone company hub office and a customer designated premises. The wire centers providing CCC are identified in NATIONAL EXCHANGE CARRIER ASSOCIATION, INC., WIRE CENTER INFORMATION, TARIFF F.C.C. NO. 4.

Effective: December 1, 2020

4001 Rodney Parham Rd.
Little Rock, AR 72212

7. Special Access Service (Cont'd)7.10 High Capacity Service (Cont'd)7.10.3 Optional Features and Functions (Cont'd)(D) Clear Channel Capability (CCC) (Cont'd)

- (3) The CCC optional feature may be ordered at the same time the High Capacity service is ordered or it may be ordered as an addition to an existing High Capacity Service. The customer must agree to out-of-service periods required to add this feature to an existing High Capacity Service.

(E) ADSL Network Access Link

The ADSL Network Access Link function provides for the interconnection of a DS1 or DS3 High Capacity Service with ADSL Access Service as described in Technical Reference ANSI T1.413-1998.

Rates and charges for the ADSL Network Access Link function are as set forth in 17.1.8, following. This function applies to each DS1 or DS3 High Capacity Service terminated at a DSL Access Service Connection Point.

Effective: December 1, 2020

4001 Rodney Parham Rd.
Little Rock, AR 72212

7. Special Access Service (Cont'd)7.11 Synchronous Optical Channel Service7.11.1 Basic Channel Description

A Synchronous Optical Channel Service channel provides dedicated transport utilizing Synchronous Optical Network (SONET) transmission standards. Synchronous Optical Channel Service provides optical network capability to customers requiring connections at transmission rates of 155.52 Mbps (OC3) and 622.08 Mbps (OC12). Synchronous Optical Channel Service is provided between two customer designated premises (CDP) through one or more Telephone Company wire centers or between a CDP and a wire center equipped for Add/Drop Multiplexing (ADM). In addition, customers at an ADM equipped wire center may add or drop bandwidth capacity from the synchronous optical channel for delivery to a customer designated premises, WATS office, Public Packet Data Network Service, or another wire center.

OC3/OC3c Synchronous Optical Channel Service may also be provided between a customer designated premises and a Telephone Company designated DSL Access Service Connection Point.

Each channel will be configured with one working and one protect fiber pair within the same sheath between the CDP and the serving wire center of the CDP which provides redundancy to protect the customer's service. Should a failure occur, the SONET technology will automatically switch the customer's transmission to the dedicated protect fiber pair.

The customer may provide node and port equipment at the CDP which allows the high speed optical carrier channel to be converted to an electrical signal at a lower speed. The provision of such equipment by the customer is subject to compatibility with the Telephone Company's equipment in the serving wire center and must comply with the standards specified in GR-253-CORE.

The OC3 channel is available in a non-concatenated format (OC3) which provides three individual signals. The OC3 channel is also available in a concatenated format (OC3c) which provides a single signal appropriate for data transmissions.

Effective: December 1, 2020

4001 Rodney Parham Rd.
Little Rock, AR 72212

7. Special Access Service (Cont'd)7.11 Synchronous Optical Channel Service (Cont'd)7.11.1 Basic Channel Description (Cont'd)

A term discount is available for Synchronous Optical Channel Service rate elements and optional features and functions. The term discount period for any applicable DS3 Capacity Discount Plan with an associated Term Discount Plan must be reestablished or upgraded at the time of conversion to Synchronous Optical Channel Service. Section 7.2.8(B) preceding specifies the conditions under which a term discount is applicable.

Synchronous Optical Channel Service is available at the wire centers as identified in National Exchange Carrier Association, Inc. Guidebook F.C.C. No. 4.

Rates and charges for Synchronous Optical Channel Service are as set forth in 17.1.10 following.

7.11.2 Network Channel Interfaces

Compatible channel interfaces for Synchronous Optical Channel Service are as set forth in 15.1.2(C) (8) following.

The following network channel interfaces (NCIs) define the bit rates that are available for a synchronous optical channel:

<u>NCI</u>	<u>Bit Rate</u>
FCF-B	155.52 Mbps (OC3, OC3c)
FCF-D	622.08 Mbps (OC12)

7.11.3 Optional Features and Functions(A) Customer Node

A Customer Node charge applies when the Telephone Company provides terminal equipment at the customer designated premises for termination of a Synchronous Optical Channel Service Channel Termination. Such equipment may be used to convert the signal from an optical to electrical format. The Customer Node charge is determined by the level of optical service (i.e., OC3, OC3c or OC12) delivered to the premises. Each Customer Node must be configured with one or more Customer Premises Ports.

Rates and charges for the Customer Node are as set forth in 17.1.10 following.

Effective: December 1, 2020

4001 Rodney Parham Rd.
Little Rock, AR 72212

7. Special Access Service (Cont'd)7.11 Synchronous Optical Channel Service (Cont'd)7.11.3 Optional Features and Functions (Cont'd)(B) Customer Premises Port

Customer Premises Port charges apply in conjunction with the Customer Node charge. Each Customer Premises Port provides the interface to derive a lower capacity service at the customer premises. The type and quantity of ports is determined by the customer and is based on the type of Customer Node selected and the number of DS1, DS3, and/or OC3/OC3c channels ordered. Customer Premises Ports are available at the following speeds:

<u>Customer Premises Port</u>	<u>Speed</u>
OC3, OC3c	155.52 Mbps
DS3	44.736 Mbps
DS1	1.544 Mbps

Rates and charges for the Customer Premises Port are as set forth in 17.1.10(E)(1) following.

(C) Add/Drop Multiplexing

An Add/Drop Multiplexing Central Office Port charge applies to the interface provided at a Telephone Company wire center for the purpose of adding or dropping lower capacity services from Synchronous Optical Channel Service Channel Termination or Channel Mileage transport facilities. Central Office Ports are available at the following speeds:

<u>Central Office Port</u>	<u>Speed</u>
OC3, OC3c	155.52 Mbps
DS3	44.736 Mbps
DS1	1.544 Mbps

OC12 service may only be multiplexed to OC3/OC3c channels.

Effective: December 1, 2020

4001 Rodney Parham Rd.
Little Rock, AR 72212

7. Special Access Service (Cont'd)7.11 Synchronous Optical Channel Service (Cont'd)7.11.3 Optional Features and Functions (Cont'd)(C) Add/Drop Multiplexing (Cont'd)

When an OC3 channel is derived from an OC12 service and is further multiplexed to obtain DS3 service, a DS3 port charge will apply in addition to the OC3 port charge.

When a DS3 channel is derived from an OC3 service and is further multiplexed to obtain DS1 service, a DS3 to DS1 Multiplexing charge as set forth in 17.1.8(D) (1) will apply in addition to the DS3 port charge.

When a DS1 channel is directly derived from an OC3 service, a DS1 port charge will apply.

When a DS1 channel is further multiplexed to a lower level signal, a DS1 to Voice Grade Multiplexing charge as set forth in 17.1.8(D) (1) will also apply.

Rates and charges for the Central Office Port are as set forth in 17.1.8(E) (2) following.

(D) ADSL Network Access Link

The ADSL Network Access Link function provides for the interconnection of an OC3 or OC3c Synchronous Optical Channel Service with ADSL Access Service as described in Technical Reference ANSI T1.413-1998.

Rates and charges for the ADSL Network Access Link function are as set forth in 17.1.8, following. This function applies to each OC3 or OC3c Synchronous Optical Channel terminated at an DSL Access Service Connection Point.

7.12 RESERVED FOR FUTURE USE7.13 RESERVED FOR FUTURE USE

Effective: December 1, 2020

4001 Rodney Parham Rd.
Little Rock, AR 72212

7.14 COMPETITIVE VS NON COMPETITIVE OFFICE LISTING

Wire Center	OCN	State	County	County Classification
ABIQNMXC	1193	NM	RIO ARRIBA	Competitive
ABRDNCXA	0476	NC	MOORE	Competitive
ABRNTXXA	1163	TX	HALE	Non Competitive
ABVLGAXA	4332	GA	WILCOX	Non Competitive
ACTNTXXA	2153	TX	HOOD	Competitive
ADARIAXO	1170	IA	ADAIR	Non Competitive
ADBNIA XO	1170	IA	AUDUBON	Competitive
ADELGAXA	4332	GA	COOK	Competitive
ADMSNEXL	1568	NE	GAGE	Competitive
ADRNTXXA	1181	TX	OLDHAM	Non Competitive
AFTNIA XO	1178	IA	UNION	Competitive
AGNCIA XO	1178	IA	WAPELLO	Competitive
AGSTKYXA	9691	KY	BRACKEN	Non Competitive
AHVLALXA	0302	AL	ST CLAIR	Non Competitive
ALAMGAXA	4425	GA	WHEELER	Non Competitive
ALBIIA XO	1170	IA	MONROE	Competitive
ALBMNCXA	0474	NC	STANLY	Competitive
ALBNPAXA	0176	PA	ERIE	Competitive
ALBYKYXA	9690	KY	CLINTON	Competitive
ALBYMOXA	1885	MO	GENTRY	Competitive
ALCHFLXA	0336	FL	ALACHUA	Competitive
ALCYIA XO	1178	IA	BUENA VISTA	Competitive
ALDLMOXA	1885	MO	WORTH	Non Competitive
ALDNIA XO	1178	IA	HARDIN	Competitive
ALDRMOXA	1885	MO	POLK	Non Competitive
ALPHGAXA	4332	GA	BERRIEN	Competitive
ALPHIA XO	1178	IA	FAYETTE	Competitive
ALTONMXC	1193	NM	LINCOLN	Competitive
ALTVIAXP	1167	IA	CHICKASAW	Competitive
ALXNNEXL	1568	NE	THAYER	Competitive
AMHRTXXA	1163	TX	LAMB	Non Competitive
AMTYARXA	1691	AR	CLARK	Non Competitive
ANDLMNXB	1414	MN	WRIGHT	Competitive
ANDRTXXA	1181	TX	ANDREWS	Non Competitive
ANHCTXXA	2153	TX	CHAMBERS	Non Competitive
ANNNTXXA	1163	TX	RED RIVER	Non Competitive
ANTNTXXA	1163	TX	HOCKLEY	Competitive
ANWOIA XO	1178	IA	WASHINGTON	Competitive

Effective: February 20, 2020

4001 Rodney Parham Rd.
Little Rock, AR 72212

7.14 COMPETITIVE VS NON COMPETITIVE OFFICE LISTING (CONT'D)

Wire Center	OCN	State	County	County Classification
APLLPAXA	0176	PA	ARMSTRONG	Non Competitive
APTNIAXO	1170	IA	BUTLER	Non Competitive
ARGYIAXO	1178	IA	LEE	Competitive
ARISIAXP	1178	IA	UNION	Competitive
ARMSIAXP	1167	IA	EMMET	Competitive
ARTNIAXO	1167	IA	FAYETTE	Competitive
ARTNKYXA	9691	KY	CARLISLE	Non Competitive
ASBGHXA	0666	OH	ASHTABULA	Competitive
ASBNGAXA	4332	GA	TURNER	Non Competitive
ASHROKXA	1165	OK	POTTAWATOMIE	Competitive
ASHTOHXA	0666	OH	ASHTABULA	Competitive
ASHTOHXC	0666	OH	ASHTABULA	Competitive
ASHTOHXD	0666	OH	ASHTABULA	Competitive
ASLDKYXA	9690	KY	BOYD	Competitive
ASLDNEXL	1568	NE	SAUNDERS	Competitive
ASLDOKXA	1965	OK	PITTSBURG	Non Competitive
ASPRTXA	1163	TX	STONEWALL	Competitive
ASVLNCXA	0476	NC	ANSON	Competitive
ATLSIAXO	1170	IA	MUSCATINE	Competitive
ATONTXXA	1181	TX	HOUSTON	Non Competitive
ATTCIAXO	1178	IA	MARION	Non Competitive
AUBNIAXO	1178	IA	SAC	Competitive
AUBNEXL	1568	NE	NEMAHA	Competitive
AURROHXA	0666	OH	PORTAGE	Competitive
AVLNTXXA	1181	TX	ELLIS	Competitive - Grandfathered
AVNGTXA	1163	TX	CASS	Non Competitive
AVNTOKXC	1165	OK	OSAGE	Non Competitive
AVOCIAOX	1170	IA	POTTAWATTAMIE	Competitive
AVOCNEXL	1568	NE	CASS	Non Competitive
AVRYTXA	1181	TX	RED RIVER	Non Competitive
BADNNCXA	0474	NC	STANLY	Competitive
BARDTXA	1181	TX	CALLAHAN	Competitive - Grandfathered
BARNOKXA	2011	OK	ADAIR	Non Competitive
BATNGAXA	0357	GA	JACKSON	Competitive - Grandfathered
BAWKGAXA	4332	GA	THOMAS	Competitive
BAWLTXXA	1181	TX	RED RIVER	Non Competitive
BBTWPAXB	0176	PA	GREENE	Non Competitive
BBVLKYXA	9691	KY	KNOX	Non Competitive

Effective: February 20, 2020

4001 Rodney Parham Rd.
Little Rock, AR 72212

7.14 COMPETITIVE VS NON COMPETITIVE OFFICE LISTING (CONT'D)

Wire Center	OCN	State	County	County Classification
BCKRMNXA	1482	MN	SHERBURNE	Competitive
BCKYIAXO	1178	IA	HARDIN	Competitive
BCWYPAXB	0176	PA	JEFFERSON	Non Competitive
BEDSTXXA	1181	TX	GRIMES	Non Competitive
BEREKYXA	9690	KY	MADISON	Competitive
BESPKYXA	9691	KY	WARREN	Competitive
BEVLARXA	1691	AR	CARROLL	Competitive
BFLOTXXA	1181	TX	LEON	Non Competitive
BFTNGAXA	4332	GA	CLAY	Non Competitive
BGCNGAXA	0386	GA	DAWSON	Non Competitive
BGLKMNXA	1482	MN	SHERBURNE	Competitive
BGLWARXA	1691	AR	PERRY	Non Competitive
BGLYIAXO	1178	IA	GUTHRIE	Non Competitive
BITNIAOX	1178	IA	WASHINGTON	Competitive
BKBGIAXO	1178	IA	WAPELLO	Competitive
BKVLKYXA	9691	KY	BRACKEN	Non Competitive
BKVLPAXB	0176	PA	JEFFERSON	Non Competitive
BKVLTXXA	1163	TX	PANOLA	Non Competitive
BLBGIAXO	1178	IA	WAPELLO	Competitive
BLDLOHXA	0666	OH	JEFFERSON	Non Competitive
BLNIAOX	1167	IA	MONONA	Competitive
BLFLMOXA	1885	MO	MONTGOMERY	Non Competitive
BLGVTXXA	1163	TX	NAVARRO	Non Competitive
BLLPIAXO	1167	IA	BENTON	Non Competitive
BLLVIAOX	1170	IA	JACKSON	Non Competitive
BLMRTXXA	1181	TX	REEVES	Non Competitive
BLUMTXXA	2153	TX	HILL	Non Competitive
BLVIGAXA	0386	GA	UNION	Non Competitive
BLVRMOXA	1885	MO	POLK	Non Competitive
BLWDNEXL	1568	NE	BUTLER	Non Competitive
BLWLTXXA	1163	TX	NOLAN	Non Competitive
BMPNNYXA	0109	NY	CHAUTAUQUA	Competitive
BNBGOHXA	0666	OH	GEAUGA	Competitive
BNDNEXL	1568	NE	YORK	Competitive
BNHRTXXA	2147	TX	LIMESTONE	Non Competitive
BNJMTXXA	1163	TX	KNOX	Non Competitive
BNNTIAXO	1170	IA	CEDAR	Competitive
BNNTNEXL	1568	NE	LANCASTER	Competitive

Effective: February 20, 2020

4001 Rodney Parham Rd.
Little Rock, AR 72212

7.14 COMPETITIVE VS NON COMPETITIVE OFFICE LISTING (CONT'D)

Wire Center	OCN	State	County	County Classification
BNTNIXXP	1178	IA	RINGGOLD	Non Competitive
BNVSGAXA	4332	GA	MARION	Non Competitive
BNWRTXXA	1181	TX	NEWTON	Non Competitive
BOCKNEXL	1568	NE	NEMAHA	Competitive
BOGTXXA	1181	TX	RED RIVER	Non Competitive
BOKRTXXA	1163	TX	LIPSCOMB	Non Competitive
BONTXXA	2153	TX	MONTAGUE	Non Competitive
BORAFLXA	0336	FL	SUWANNEE	Non Competitive
BOTNIXAO	1170	IA	DALLAS	Competitive
BOVNTXXA	1163	TX	PARMER	Non Competitive
BRAROKXA	1165	OK	TULSA	Competitive
BRAROKXB	1165	OK	TULSA	Competitive
BRAROKXC	1165	OK	TULSA	Competitive
BRAROKXD	1165	OK	TULSA	Competitive
BRAROKXE	1165	OK	TULSA	Competitive
BRAROKXM	1165	OK	TULSA	Competitive
BRCHNEXL	1568	NE	PAWNEE	Competitive
BRDDTXXA	1181	TX	SAN AUGUSTINE	Non Competitive
BRDNARXA	1691	AR	OUACHITA	Non Competitive
BRDSNEXL	1568	NE	YORK	Competitive
BRFLOKXA	1965	OK	WASHITA	Competitive
BRFRFLXA	0336	FL	SUWANNEE	Non Competitive
BRHDKYXA	9691	KY	ROCKCASTLE	Non Competitive
BRKRFLXA	0336	FL	BRADFORD	Competitive - Grandfathered
BRLNGAXA	4332	GA	COLQUITT	Competitive
BRNDIXAO	1178	IA	BUCHANAN	Non Competitive
BRNDTXXA	2153	TX	HILL	Non Competitive
BRNGNEXL	1568	NE	THAYER	Competitive
BRNRNEXL	1568	NE	BUTLER	Non Competitive
BRNSOKXA	1165	OK	OSAGE	Non Competitive
BRSDKYXA	9690	KY	PULASKI	Non Competitive
BRSTXXA	1181	TX	SABINE	Non Competitive
BRTNEXL	1568	NE	GAGE	Competitive
BRUNNEXL	1568	NE	BUTLER	Non Competitive
BRVEPAXB	0176	PA	GREENE	Non Competitive
BRVLIAXO	1167	IA	PAGE	Competitive
BRVLKYXA	9690	KY	MARION	Competitive
BRVLTXXA	1181	TX	NEWTON	Non Competitive

Effective: February 20, 2020

4001 Rodney Parham Rd.
Little Rock, AR 72212

7.14 COMPETITIVE VS NON COMPETITIVE OFFICE LISTING (CONT'D)

Wire Center	OCN	State	County	County Classification
BRWLKYXA	9691	KY	CARLISLE	Non Competitive
BRWRIAXO	1170	IA	ADAIR	Non Competitive
BRWYNCXA	0476	NC	LEE	Competitive
BRXTGAXA	4332	GA	COFFEE	Competitive
BSFDMSXA	0453	MS	JEFFERSON DAVIS	Competitive
BSSYIAXO	1178	IA	MARION	Non Competitive
BSTNGAXA	4332	GA	THOMAS	Competitive
BSVLKYXA	9690	KY	CUMBERLAND	Competitive
BTLROKXA	1965	OK	CUSTER	Competitive
BTRCNEXL	1568	NE	GAGE	Competitive
BTSTOKXA	1965	OK	MCCURTAIN	Non Competitive
BTVLGAXA	0386	GA	HABERSHAM	Non Competitive
BTVLKYXA	9690	KY	GARRARD	Non Competitive
BURLTXXA	1181	TX	MILAM	Non Competitive
BURRNEXL	1568	NE	OTOE	Competitive
BVRCNEXL	1568	NE	SEWARD	Competitive
BWFDTXXA	1163	TX	TERRY	Non Competitive
BWVLKYXA	9691	KY	EDMONSON	Non Competitive
BWVLNEXL	1568	NE	NEMAHA	Competitive
BYNMTXXA	1163	TX	HILL	Non Competitive
BYRDIAXO	1170	IA	GUTHRIE	Non Competitive
BYRNGAXA	0357	GA	PEACH	Competitive
BYRNTXXA	1181	TX	OLDHAM	Non Competitive
BYTNOKXB	1165	OK	MUSKOGEE	Non Competitive
BYVLGAXA	4332	GA	DOOLY	Competitive
CAIRGAXA	0357	GA	GRADY	Competitive
CALBPAXC	0176	PA	CLARION	Competitive
CANTOKXA	1965	OK	WASHITA	Competitive
CAPTNMXC	1193	NM	LINCOLN	Competitive
CATNNEXL	1568	NE	THAYER	Competitive
CBCVNMXA	1164	NM	EDDY	Competitive
CCHRPAXC	0176	PA	CRAWFORD	Competitive
CCTSTXXA	1181	TX	MOORE	Non Competitive
CDBLNEXL	1568	NE	SAUNDERS	Competitive
CECLKYXA	9690	KY	HARDIN	Competitive
CETNIAXC	1167	IA	UNION	Competitive
CFFYMOXA	1885	MO	DAVIESS	Competitive
CFVLIAXO	1178	IA	WASHINGTON	Competitive

Effective: February 20, 2020

4001 Rodney Parham Rd.
Little Rock, AR 72212

7.14 COMPETITIVE VS NON COMPETITIVE OFFICE LISTING (CONT'D)

Wire Center	OCN	State	County	County Classification
CHAMMXC	1193	NM	RIO ARRIBA	Competitive
CHESOHXA	0666	OH	MEIGS	Non Competitive
CHFDHXA	0665	OH	FULTON	Competitive
CHGVNCXA	0474	NC	ROWAN	Competitive
CHLCIAXO	1178	IA	WAPELLO	Competitive
CHLSIAXO	1167	IA	TAMA	Competitive
CHMYNMXC	1193	NM	RIO ARRIBA	Competitive
CHNGTXXA	1181	TX	HARTLEY	Competitive
CHROHXA	0666	OH	GEAUGA	Competitive
CHRLIAXO	1170	IA	CLINTON	Competitive
CHRTIAXC	1178	IA	LUCAS	Competitive
CHTHOKXD	1165	OK	MCINTOSH	Non Competitive
CHTQNYXA	0109	NY	CHAUTAUQUA	Competitive
CHTTGAXA	4332	GA	WHITFIELD	Competitive
CHWOGAXA	4332	GA	MURRAY	Competitive
CITNTXXA	1181	TX	FALLS	Non Competitive
CITRFLXA	0336	FL	MARION	Competitive
CKSNKYXA	9691	KY	GRAYSON	Non Competitive
CLADTXXB	1163	TX	ARMSTRONG	Non Competitive
CLATNEXL	1568	NE	GAGE	Competitive
CLBGIAXP	1167	IA	DELAWARE	Competitive
CLBRGAXA	0357	GA	MADISON	Competitive - Grandfathered
CLCTKYXA	9691	KY	MARSHALL	Competitive
CLCTNEXL	1568	NE	CLAY	Non Competitive
CLDGGAXA	4332	GA	THOMAS	Competitive
CLDGTXXA	2147	TX	LIMESTONE	Non Competitive
CLDNTXXA	1163	TX	DONLEY	Non Competitive
CLEVGAXA	0386	GA	WHITE	Non Competitive
CLFDIAXO	1178	IA	TAYLOR	Competitive
CLHNFLXA	0336	FL	NASSAU	Competitive
CLJTIAXO	1178	IA	LOUISA	Competitive
CLMAKYXA	9690	KY	ADAIR	Competitive
CLMBKYXA	9691	KY	HICKMAN	Non Competitive
CLMBNCXA	0476	NC	POLK	Competitive
CLMSTXXA	1181	TX	TYLER	Non Competitive
CLNSGAXA	4425	GA	TATTNALL	Non Competitive
CLNSIAXO	1167	IA	STORY	Competitive
CLPTPAXC	0176	PA	CLEARFIELD	Competitive

Effective: February 20, 2020

4001 Rodney Parham Rd.
Little Rock, AR 72212

7.14 COMPETITIVE VS NON COMPETITIVE OFFICE LISTING (CONT'D)

Wire Center	OCN	State	County	County Classification
CLRDIAXT	1167	IA	PAGE	Competitive
CLREGAXA	0357	GA	GRADY	Competitive
CLRTOKXA	1965	OK	COAL	Non Competitive
CLSPIAXO	1167	IA	PAGE	Competitive
CLSTOHXA	0665	OH	LORAIN	Competitive
CLUBMOXX	1885	MO	WAYNE	Non Competitive
CLVLGAXA	0386	GA	HABERSHAM	Non Competitive
CLVLTXXA	1163	TX	RED RIVER	Non Competitive
CLYDTXXA	1181	TX	CALLAHAN	Competitive - Grandfathered
CLYMNYXA	0109	NY	CHAUTAUQUA	Competitive
CMBRIAXO	1167	IA	STORY	Competitive
CMLDKYXA	9691	KY	HARLAN	Competitive
CMLDOHXA	0666	OH	GUERNSEY	Competitive
CMPBSCXA	0517	SC	SPARTANBURG	Competitive
CMPHALXA	0302	AL	TALLAPOOSA	Competitive
CMRCGAXA	0357	GA	JACKSON	Competitive - Grandfathered
CMRNOKXA	2011	OK	LE FLORE	Non Competitive
CMRNSCXA	0517	SC	CALHOUN	Non Competitive
CMVLKYXA	9690	KY	TAYLOR	Non Competitive
CNCNIAOXO	1178	IA	APPANOOSE	Competitive
CNCRNCXA	0474	NC	CABARRUS	Competitive
CNCYIAXO	1167	IA	LINN	Competitive
CNJLNMXC	1193	NM	RIO ARRIBA	Competitive
CNLKPAXC	0176	PA	CRAWFORD	Competitive
CNRPIAXO	1178	IA	CARROLL	Competitive
CNRYIAXO	1167	IA	IOWA	Non Competitive
CNSQNYXA	0106	NY	OSWEGO	Competitive
CNSVIAXO	1178	IA	MUSCATINE	Competitive
CNTBOHXA	0666	OH	BELMONT	Non Competitive
CNTNGAXA	4332	GA	CHEROKEE	Competitive
CNTNGAXB	4332	GA	CHEROKEE	Competitive
CNTVPAXC	0176	PA	CRAWFORD	Competitive
CNVLGAXA	0357	GA	HOUSTON	Competitive
CNVLIAXO	1178	IA	APPANOOSE	Competitive
CNVLOKXA	1965	OK	JOHNSTON	Non Competitive
CNVLTXXA	1181	TX	LEON	Non Competitive
COLNNEXL	1568	NE	SAUNDERS	Competitive
COMRGAXA	0357	GA	MADISON	Competitive - Grandfathered

Effective: February 20, 2020

4001 Rodney Parham Rd.
Little Rock, AR 72212

7.14 COMPETITIVE VS NON COMPETITIVE OFFICE LISTING (CONT'D)

Wire Center	OCN	State	County	County Classification
COOKNEXL	1568	NE	JOHNSON	Competitive
COOLOHXA	0666	OH	ATHENS	Competitive
CORNOKXA	1965	OK	WASHITA	Competitive
COVEARXA	1691	AR	POLK	Non Competitive
COVRPAXC	0176	PA	CAMBRIA	Competitive
COWTOKXB	1165	OK	WAGONER	Competitive
CRBONEXL	1568	NE	JOHNSON	Competitive
CRCRMOMA	1885	MO	PULASKI	Non Competitive
CRCTXXA	1181	TX	HOUSTON	Non Competitive
CRCYFLXA	0336	FL	PUTNAM	Non Competitive
CRDVNEXL	1568	NE	SEWARD	Competitive
CRESIAXO	1167	IA	HOWARD	Competitive
CRETNEXL	1568	NE	SALINE	Competitive
CRFRXXA	1181	TX	MCLENNAN	Competitive
CRLBNMXA	1164	NM	EDDY	Competitive
CRLDNEXL	1568	NE	GAGE	Competitive
CRMCPAXC	0176	PA	GREENE	Non Competitive
CRNLGAXA	0386	GA	HABERSHAM	Non Competitive
CRNVGAXA	4332	GA	FRANKLIN	Competitive
CRPLTXXA	1181	TX	CALLAHAN	Competitive - Grandfathered
CRSCNEXL	1568	NE	SAUNDERS	Competitive
CRSCPAXC	0176	PA	JEFFERSON	Non Competitive
CRSNTXXA	2153	TX	HOOD	Competitive
CRSTARXA	1691	AR	ASHLEY	Non Competitive
CRTHARXA	1691	AR	DALLAS	Non Competitive
CRTOGAXA	0357	GA	MADISON	Competitive - Grandfathered
CSNGTXXA	1181	TX	NACOGDOCHES	Non Competitive
CSTNTXXA	1163	TX	CROSBY	Competitive
CTBGKYXA	9690	KY	BOYD	Competitive
CTHBGAXA	4332	GA	RANDOLPH	Competitive
CUBANMXC	1193	NM	SANDOVAL	Competitive
CVTNOHXA	0665	OH	MIAMI	Competitive
CVTNTXXA	2153	TX	HILL	Non Competitive
CYLNIAOXO	1167	IA	PALO ALTO	Competitive
CYNSTXXA	1181	TX	PECOS	Non Competitive
CYTNGAXA	4425	GA	RABUN	Non Competitive
CYVLKYXA	9691	KY	GRAYSON	Non Competitive
CZNVNYXA	0106	NY	MADISON	Competitive

Effective: February 20, 2020

4001 Rodney Parham Rd.
Little Rock, AR 72212

7.14 COMPETITIVE VS NON COMPETITIVE OFFICE LISTING (CONT'D)

Wire Center	OCN	State	County	County Classification
DASYARXA	1691	AR	PIKE	Non Competitive
DAVLGAXA	4425	GA	TWIGGS	Non Competitive
DAVYNEXL	1568	NE	LANCASTER	Competitive
DAYTPAXD	0176	PA	ARMSTRONG	Non Competitive
DBBYTXA	2153	TX	CHAMBERS	Non Competitive
DDHMIAXO	1178	IA	CARROLL	Competitive
DDSNTXXA	1163	TX	COLLINGSWORTH	Non Competitive
DELHIA XO	1167	IA	DELAWARE	Competitive
DELTIAXO	1167	IA	KEOKUK	Non Competitive
DELTOHXA	0665	OH	FULTON	Competitive
DEPTTXA	1181	TX	LAMAR	Competitive
DEQNARXA	1691	AR	SEVIER	Non Competitive
DESTIAXP	1167	IA	DALLAS	Competitive
DEVLGAXA	0357	GA	MADISON	Competitive - Grandfathered
DEWSNEXL	1568	NE	CLAY	Non Competitive
DGLSGAXA	4332	GA	COFFEE	Competitive
DGLSNEXL	1568	NE	OTOE	Competitive
DGNLIAXO	1178	IA	RINGGOLD	Non Competitive
DGVLTXXA	1163	TX	CASS	Non Competitive
DHLNGAXA	0386	GA	LUMPKIN	Non Competitive
DIXNMOXA	1885	MO	PULASKI	Non Competitive
DIXNMXC	1193	NM	RIO ARRIBA	Competitive
DKLBTXXA	1163	TX	BOWIE	Non Competitive
DLCYOKXA	1965	OK	WASHITA	Competitive
DLGHARXA	1691	AR	PIKE	Non Competitive
DLHRTXXA	1163	TX	DALLAM	Competitive
DLMRIAXO	1170	IA	CLINTON	Competitive
DLMT PAXD	0176	PA	WESTMORELAND	Competitive - Grandfathered
DLRDGAXA	4425	GA	RABUN	Non Competitive
DLRKARXA	1691	AR	DALLAS	Non Competitive
DLTNGAXB	4332	GA	WHITFIELD	Competitive
DLTNGAXC	4332	GA	WHITFIELD	Competitive
DLTNGAXD	4332	GA	WHITFIELD	Competitive
DLVRIAXO	1167	IA	EMMET	Competitive
DMMTXXA	1181	TX	CASTRO	Competitive
DMSCARXA	1691	AR	VAN BUREN	Non Competitive
DNCYTXXA	1163	TX	YOAKUM	Non Competitive
DNFDTXXA	1163	TX	MORRIS	Non Competitive

Effective: February 20, 2020

4001 Rodney Parham Rd.
Little Rock, AR 72212

7.14 COMPETITIVE VS NON COMPETITIVE OFFICE LISTING (CONT'D)

Wire Center	OCN	State	County	County Classification
DNLPIAXO	1167	IA	CRAWFORD	Competitive
DNMKIAXO	1178	IA	LEE	Competitive
DNPHMOXX	1885	MO	RIPLEY	Non Competitive
DNSNIAXO	1178	IA	LEE	Competitive
DNTNNCXA	0476	NC	DAVIDSON	Competitive
DNTNNEXL	1568	NE	LANCASTER	Competitive
DNVLGAXA	4425	GA	SEMINOLE	Non Competitive
DODSIAXO	1178	IA	VAN BUREN	Non Competitive
DORNGAXA	4332	GA	COLQUITT	Competitive
DOVRKYXA	9691	KY	MASON	Non Competitive
DOWSIAXO	1178	IA	WRIGHT	Competitive
DRCHNEXL	1568	NE	SALINE	Competitive
DRCKARXA	1691	AR	MADISON	Non Competitive
DRKSARXA	1691	AR	HOWARD	Non Competitive
DRNTIAXO	1170	IA	CEDAR	Competitive
DRSTOHXA	0666	OH	ASHTABULA	Competitive
DRTPAXD	0176	PA	BEAVER	Competitive
DRWDPAXD	0176	PA	CAMERON	Competitive
DRZTTXXB	1163	TX	LIPSCOMB	Non Competitive
DTRTXXA	1181	TX	RED RIVER	Non Competitive
DUBSNEXL	1568	NE	PAWNEE	Competitive
DULCNMXC	1193	NM	RIO ARRIBA	Competitive
DUMSTXXA	1181	TX	MOORE	Non Competitive
DUNBNEXL	1568	NE	OTOE	Competitive
DVCYNEXL	1568	NE	BUTLER	Non Competitive
DVPTNEXL	1568	NE	THAYER	Competitive
DWGHNEXL	1568	NE	BUTLER	Non Competitive
DWPKFLXA	0336	FL	SUWANNEE	Non Competitive
DWSNGAXA	4332	GA	TERRELL	Competitive
DWSNEXL	1568	NE	RICHARDSON	Competitive
DWSNTXXA	1163	TX	NAVARRO	Non Competitive
DWTIAXO	1170	IA	CLINTON	Competitive
DWTTNEXL	1568	NE	SALINE	Competitive
DWVLGAXA	0386	GA	DAWSON	Non Competitive
DWVLGAXB	0386	GA	DAWSON	Non Competitive
DXTRIAOX	1167	IA	DALLAS	Competitive
DYKNEXL	1568	NE	JEFFERSON	Competitive
DYVLIAXO	1167	IA	DELAWARE	Competitive

Effective: February 20, 2020

4001 Rodney Parham Rd.
Little Rock, AR 72212

7.14 COMPETITIVE VS NON COMPETITIVE OFFICE LISTING (CONT'D)

Wire Center	OCN	State	County	County Classification
EAGLNEXL	1568	NE	CASS	Non Competitive
EBNKKYXA	9691	KY	PULASKI	Non Competitive
EBRDPAXE	0176	PA	CLARION	Competitive
EBRNKYAC	9691	KY	LAUREL	Competitive
ECLCALXA	0302	AL	ELMORE	Competitive
ECLROHXC	0666	OH	GEAUGA	Competitive
EDGRNEXL	1568	NE	CLAY	Non Competitive
EDSNGAXA	4332	GA	CALHOUN	Non Competitive
EDVLIAXP	1170	IA	WAPELLO	Competitive
EDWDIAXO	1167	IA	CLAYTON	Competitive
EKCKNEXL	1568	NE	JOHNSON	Competitive
EKHTIAXP	1167	IA	POLK	Competitive
EKHTTXXA	1181	TX	ANDERSON	Non Competitive
EKNSARXA	1691	AR	WASHINGTON	Competitive
ELANARXA	1691	AR	PHILLIPS	Non Competitive
ELCYOKXA	1965	OK	GARVIN	Non Competitive
ELCYOKXB	1965	OK	GARVIN	Non Competitive
ELDNIAXO	1178	IA	WAPELLO	Competitive
ELDRPAXE	0176	PA	ARMSTRONG	Non Competitive
ELMAIAXO	1167	IA	HOWARD	Competitive
ELRTNMXC	1193	NM	RIO ARRIBA	Competitive
ELTNNYXA	0109	NY	CHAUTAUQUA	Competitive
ELVLGAXA	4332	GA	SCHLEY	Non Competitive
ELYROHXA	0665	OH	LORAIN	Competitive
ELYROHXB	0665	OH	LORAIN	Competitive
ELYROHXD	0665	OH	LORAIN	Competitive
ELYROHXE	0665	OH	LORAIN	Competitive
EMBGIAXP	1167	IA	PALO ALTO	Competitive
EMPRPAXE	0176	PA	CAMERON	Competitive
EMWDNEXL	1568	NE	CASS	Non Competitive
ENGMGAXA	4332	GA	BERRIEN	Competitive
ENLLGAXA	4332	GA	STEPHENS	Non Competitive
ENOLARXA	1691	AR	FAULKNER	Competitive
ENVYPAXE	0176	PA	LAWRENCE	Competitive
EOLIMOX	1885	MO	PIKE	Non Competitive
EPWOIAXO	1167	IA	DUBUQUE	Competitive
ERVLIAXP	1167	IA	DELAWARE	Competitive
ESPNMXC	1193	NM	RIO ARRIBA	Competitive

Effective: February 20, 2020

4001 Rodney Parham Rd.
Little Rock, AR 72212

7.14 COMPETITIVE VS NON COMPETITIVE OFFICE LISTING (CONT'D)

Wire Center	OCN	State	County	County Classification
ESTLTXXA	1163	TX	HALL	Non Competitive
EUNCNMXXA	1164/1181	NM	LEA	Competitive
EVRSKYXXA	9691	KY	HARLAN	Competitive
EWNGKYXXA	9690	KY	FLEMING	Competitive
EXIRIAXO	1170	IA	AUDUBON	Competitive
EXPRPAXE	0176	PA	WESTMORELAND	Competitive - Grandfathered
EXTRNEXL	1568	NE	FILLMORE	Competitive
EZTWKYXXA	9690	KY	HARDIN	Competitive
FAMTNEXL	1568	NE	FILLMORE	Competitive
FAMTXXA	1181	TX	SABINE	Non Competitive
FARGGAXA	4425	GA	CLINCH	Non Competitive
FASNIAXO	1178	IA	WAPELLO	Competitive
FBNSTXXC	1181	TX	EL PASO	Competitive
FBSHKYXXA	9691	KY	PULASKI	Non Competitive
FDCYPAXF	0176	PA	ARMSTRONG	Non Competitive
FKLNTXXA	1181	TX	ROBERTSON	Non Competitive
FLLCKYXXA	9691	KY	KNOX	Non Competitive
FLLTXXA	1163	TX	LIPSCOMB	Non Competitive
FLLYNEXL	1568	NE	GAGE	Competitive
FLRHFLXA	0336	FL	PUTNAM	Non Competitive
FLRNMOXA	1885	MO	MORGAN	Non Competitive
FLRNMSXA	0453	MS	RANKIN	Competitive
FLTNGAXA	4425	GA	CHARLTON	Competitive
FLTNNYXXA	0106	NY	OSWEGO	Competitive
FMBGKYXXA	9690	KY	FLEMING	Competitive
FNTLIAXO	1170	IA	ADAIR	Non Competitive
FNTNGAXA	4332	GA	COLQUITT	Competitive
FONDIAXO	1178	IA	POCAHONTAS	Competitive
FOSSOKXA	1965	OK	WASHITA	Competitive
FRBGIAXO	1170	IA	CHICKASAW	Competitive
FRBNIAXO	1167	IA	BUCHANAN	Non Competitive
FRBRNEXL	1568	NE	JEFFERSON	Competitive
FRCYIAXO	1167	IA	WINNEBAGO	Competitive
FRCYTXA	1181	TX	ANDREWS	Non Competitive
FRDLMOXA	1885	MO	RIPLEY	Non Competitive
FRDNPAXF	0176	PA	MERCER	Competitive
FRDYARXA	1691	AR	DALLAS	Non Competitive
FRFDIAXC	1170	IA	JEFFERSON	Competitive

Effective: February 20, 2020

4001 Rodney Parham Rd.
Little Rock, AR 72212

7.14 COMPETITIVE VS NON COMPETITIVE OFFICE LISTING (CONT'D)

Wire Center	OCN	State	County	County Classification
FRFDNEXL	1568	NE	CLAY	Non Competitive
FRFDTXXB	1181	TX	FREESTONE	Non Competitive
FRFXOKXA	1165	OK	OSAGE	Non Competitive
FRINTXXA	1163	TX	PARMER	Non Competitive
FRLYIAXO	1167	IA	DUBUQUE	Competitive
FRMTIAXO	1170	IA	MAHASKA	Competitive
FRNDNEXL	1568	NE	SALINE	Competitive
FRNLKYXA	9691	KY	MASON	Non Competitive
FRPLMOXA	1885	MO	POLK	Non Competitive
FRSATXXA	1163	TX	HOWARD	Non Competitive
FRSTTXXA	1163	TX	NAVARRO	Non Competitive
FRTCTXXA	1181	TX	HUTCHINSON	Non Competitive
FRTHNEXL	1568	NE	LANCASTER	Competitive
FRTNIAXO	1178	IA	VAN BUREN	Non Competitive
FRTWPAXF	0176	PA	WASHINGTON	Competitive
FRVWMOXA	1885	MO	NEWTON	Competitive
FRVWOHXA	0666	OH	BELMONT	Non Competitive
FTGNGAXA	4332	GA	CLAY	Non Competitive
FTHNTXXC	1181	TX	HUDSPETH	Non Competitive
FTWHFLXA	0336	FL	COLUMBIA	Competitive
FTZGGAXA	4332	GA	IRWIN	Competitive
FWBGNYXA	0109	NY	CHAUTAUQUA	Competitive
FYTTIAXO	1178	IA	FAYETTE	Competitive
GALLMOXA	1885	MO	DAVISS	Competitive
GARYTXXB	1181	TX	PANOLA	Non Competitive
GDINMOXA	1885	MO	CARTER	Non Competitive
GDJTIAXO	1167	IA	GREENE	Non Competitive
GDLYTXXA	2153	TX	JOHNSON	Competitive
GDRKNEXL	1568	NE	WEBSTER	Non Competitive
GDVWIAXO	1178	IA	LOUISA	Competitive
GDVWTXXA	2153	TX	JOHNSON	Competitive
GENVNEXL	1568	NE	FILLMORE	Competitive
GENVOHXA	0666	OH	ASHTABULA	Competitive
GFTNEXL	1568	NE	FILLMORE	Competitive
GLBKIAXP	1167	IA	TAMA	Competitive
GLDNIAXO	1167	IA	CARROLL	Competitive
GLGOPAXG	0176	PA	CAMBRIA	Competitive
GLHMARXA	1691	AR	SEVIER	Non Competitive

Effective: February 20, 2020

4001 Rodney Parham Rd.
Little Rock, AR 72212

7.14 COMPETITIVE VS NON COMPETITIVE OFFICE LISTING (CONT'D)

Wire Center	OCN	State	County	County Classification
GLLNMXC	1193	NM	RIO ARRIBA	Competitive
GLNDMNXA	1482	MN	BENTON	Competitive
GLNVGAXA	4425	GA	TATTNALL	Non Competitive
GLNVNEXL	1568	NE	CLAY	Non Competitive
GLRSTXXA	1181	TX	SOMERVELL	Competitive
GLSGKYXA	9690	KY	BARREN	Competitive
GLWDARXA	1691	AR	PIKE	Non Competitive
GMTWKYXA	9691	KY	BRACKEN	Non Competitive
GNBGKYXB	9690	KY	GREEN	Non Competitive
GNBOPAXG	0176	PA	GREENE	Non Competitive
GNBRARXA	1691	AR	FAULKNER	Competitive
GNCTIAXO	1170	IA	GRUNDY	Non Competitive
GNFDIAXO	1170	IA	ADAIR	Non Competitive
GNUPKYXA	9690	KY	GREENUP	Competitive
GNVLMOXX	1885	MO	WAYNE	Non Competitive
GNWDNEXL	1568	NE	CASS	Non Competitive
GOTBOKXA	1965	OK	KIOWA	Non Competitive
GPLDTXXA	1181	TX	HOUSTON	Non Competitive
GRAYGAXA	4425	GA	JONES	Non Competitive
GRCKNCXA	0476	NC	POLK	Competitive
GRELIAXO	1167	IA	DELAWARE	Competitive
GRFRARXA	1691	AR	CARROLL	Competitive
GRHMNEXL	1568	NE	YORK	Competitive
GRLDNEXL	1568	NE	SEWARD	Competitive
GRNEIAXO	1170	IA	BUTLER	Non Competitive
GRNLIAXC	1167	IA	POWESHIEK	Competitive
GROMTXXA	1163	TX	CARSON	Non Competitive
GRQYNCXA	0476	NC	ROWAN	Competitive
GRRYNYXA	0109	NY	CHAUTAUQUA	Competitive
GRSNKYXA	9690	KY	LEWIS	Non Competitive
GRSNTXXA	2147	TX	NACOGDOCHES	Non Competitive
GRTTOHXA	0665	OH	LICKING	Competitive
GRTYOKXA	1965	OK	HUGHES	Non Competitive
GRVIOHXA	0665	OH	LICKING	Competitive
GRVTIAXO	1178	IA	TAYLOR	Competitive
GRWNIAXO	1167	IA	TAMA	Competitive
GTCTIAXO	1170	IA	GUTHRIE	Non Competitive
GTCYMOXA	1885	MO	WORTH	Non Competitive

Effective: February 20, 2020

4001 Rodney Parham Rd.
Little Rock, AR 72212

7.14 COMPETITIVE VS NON COMPETITIVE OFFICE LISTING (CONT'D)

Wire Center	OCN	State	County	County Classification
GVTNTXXA	1163	TX	TRINITY	Non Competitive
GYMLPAXG	0176	PA	CRAWFORD	Competitive
GYSNKYXA	9690	KY	CARTER	Competitive - Grandfathered
GYVLPAXG	0176	PA	GREENE	Non Competitive
HAHRGAXA	4332	GA	LOWNDES	Competitive
HANSNEXL	1568	NE	ADAMS	Competitive
HARTTXXA	1181	TX	CASTRO	Competitive
HAZNPAXH	0176	PA	JEFFERSON	Non Competitive
HBBSNMXA	1163/1164	NM	LEA	Competitive
HBBSNMXB	1164	NM	LEA	Competitive
HBRDTXXA	1163	TX	HILL	Non Competitive
HBRNNEXL	1568	NE	THAYER	Competitive
HCMNEXL	1568	NE	LANCASTER	Competitive
HDCGAXA	4425	GA	JONES	Non Competitive
HDLYTXXA	1163	TX	DONLEY	Non Competitive
HDRCIAXO	1178	IA	KEOKUK	Non Competitive
HDSNOHXA	0666	OH	SUMMIT	Competitive
HELNGAXA	0386	GA	WHITE	Non Competitive
HETHOHXA	0665	OH	LICKING	Competitive
HGHMTXXA	2153	TX	GAINES	Competitive
HGHVPAXH	0176	PA	LYCOMING	Competitive
HGNSTXXA	1163	TX	LIPSCOMB	Non Competitive
HGSPFLXA	0336	FL	ALACHUA	Competitive
HGSPTXXA	1163	TX	CASS	Non Competitive
HGTNIAXO	1178	IA	LEE	Competitive
HGVLKYXA	9690	KY	LARUE	Non Competitive
HIRMOHXA	0666	OH	PORTAGE	Competitive
HLBOIAXO	1178	IA	HENRY	Competitive
HLBOKYXA	9690	KY	FLEMING	Competitive
HLBONMXC	1193	NM	SIERRA	Non Competitive
HLBRIAXO	1170	IA	CARROLL	Competitive
HLCRIAXP	1167	IA	DUBUQUE	Competitive
HLDYMOXA	1885	MO	MONROE	Competitive
HLDYTXXA	1163	TX	ARCHER	Competitive
HLLMNEXL	1568	NE	LANCASTER	Competitive
HLRDFLXA	0336	FL	NASSAU	Competitive
HLWYMOXA	1885	MO	POLK	Non Competitive
HMBLNEXL	1568	NE	RICHARDSON	Competitive

Effective: February 20, 2020

4001 Rodney Parham Rd.
Little Rock, AR 72212

7.14 COMPETITIVE VS NON COMPETITIVE OFFICE LISTING (CONT'D)

Wire Center	OCN	State	County	County Classification
HMBRNCXA	0476	NC	UNION	Competitive
HMHLTXXA	1181	TX	SABINE	Non Competitive
HMMNOKXA	1965	OK	ROGER MILLS	Non Competitive
HMNYOKXB	1165	OK	OSAGE	Non Competitive
HMSHTXXA	2153	TX	JEFFERSON	Competitive
HMVLGAXA	4425	GA	CLINCH	Non Competitive
HNCKOHXA	0666	OH	MEDINA	Competitive
HNKMTXXA	2153	TX	CHAMBERS	Non Competitive
HNTNTXXA	1181	TX	ANGELINA	Non Competitive
HNVROHXA	0665	OH	LICKING	Competitive
HOKSTXXA	1181	TX	BOWIE	Non Competitive
HOMRGAXA	0357	GA	BANKS	Non Competitive
HORTARXA	1691	AR	SEVIER	Non Competitive
HPDLOHXA	0666	OH	HARRISON	Non Competitive
HPPYTXXA	1163	TX	SWISHER	Non Competitive
HPTNIAOXO	1167	IA	DELAWARE	Competitive
HRBGNCXA	0474	NC	CABARRUS	Competitive
HRCYPAXH	0176	PA	WESTMORELAND	Competitive - Grandfathered
HRDYNEXL	1568	NE	NUCKOLLS	Non Competitive
HRLNIAXT	1170	IA	SHELBY	Competitive
HRPRIAXO	1167	IA	KEOKUK	Non Competitive
HRPRTXXA	2097	TX	GILLESPIE	Competitive
HRRSIAXP	1167	IA	OSCEOLA	Competitive
HRSNARXA	1691	AR	BOONE	Competitive
HRSNARXB	1691	AR	BOONE	Competitive
HRTLIAXP	1167	IA	O'BRIEN	Competitive
HRTLTXXA	1181	TX	HARTLEY	Competitive
HRVRNEXL	1568	NE	CLAY	Non Competitive
HRWDTXXA	1163	TX	LUBBOCK	Competitive - Grandfathered
HSKLOKXA	1165	OK	MUSKOGEE	Non Competitive
HSKLTXXA	1163	TX	HASKELL	Competitive
HSNGFLXA	0336	FL	ST JOHNS	Competitive
HSNGNEXL	1568	NE	ADAMS	Competitive
HSTNIAOXO	1178	IA	WAYNE	Non Competitive
HTBGOHXA	0666	OH	GEAUGA	Competitive
HTFDARXA	1691	AR	POLK	Non Competitive
HTLKTXXA	1181	TX	LEON	Non Competitive
HTVLKYXE	9690	KY	LINCOLN	Non Competitive

Effective: February 20, 2020

4001 Rodney Parham Rd.
Little Rock, AR 72212

7.14 COMPETITIVE VS NON COMPETITIVE OFFICE LISTING (CONT'D)

Wire Center	OCN	State	County	County Classification
HVNROKXA	2011	OK	LE FLORE	Non Competitive
HWSSGAXA	0386	GA	TOWNS	Non Competitive
HWTHPAXH	0176	PA	CLARION	Competitive
HZRDKYXA	9690	KY	PERRY	Competitive
HZTNIAXO	1167	IA	BUCHANAN	Non Competitive
IBERMOXX	1885	MO	MILLER	Competitive
IDALTXXA	1163	TX	LUBBOCK	Competitive - Grandfathered
IDELGAXA	4332	GA	MACON	Non Competitive
ILA GAXA	0357	GA	MADISON	Competitive - Grandfathered
IMPRTXXA	1181	TX	PECOS	Non Competitive
INMNSCXA	0517	SC	SPARTANBURG	Competitive
INTRFLXA	0336	FL	PUTNAM	Non Competitive
INTRNCXA	0476	NC	UNION	Competitive
IOLATXXA	1181	TX	GRIMES	Non Competitive
IRCYGAXA	4425	GA	SEMINOLE	Non Competitive
IRDLTXXA	2153	TX	BOSQUE	Non Competitive
IRENTXXA	1181	TX	HILL	Non Competitive
IRVLGAXA	4332	GA	IRWIN	Competitive
IRVNKYXA	9691	KY	ESTILL	Non Competitive
ITHCNEXL	1568	NE	SAUNDERS	Competitive
JAKNGAXA	4425	GA	EARLY	Non Competitive
JAL NMXA	1164	NM	LEA	Competitive
JAMCIA XO	1178	IA	GUTHRIE	Non Competitive
JCVLGAXA	4332	GA	TELF AIR	Competitive
JFSNGAXA	0357	GA	JACKSON	Competitive - Grandfathered
JFSNPAXJ	0176	PA	GREENE	Non Competitive
JFVLGAXA	4425	GA	TWIGGS	Non Competitive
JHSNNEXL	1568	NE	NEMAHA	Competitive
JHVLKYXA	9691	KY	BRACKEN	Non Competitive
JMSNMOXA	1885	MO	DAVI ESS	Competitive
JMSPNMXC	1193	NM	SANDOVAL	Competitive
JMTWNYXA	0109	NY	CHAUTAUQUA	Competitive
JMTWPAXJ	0176	PA	MERCER	Competitive
JNGSFLXA	0336	FL	HAMILTON	Non Competitive
JNKNKYXA	9691	KY	LETCHER	Competitive
JNSNNEXL	1568	NE	JEFFERSON	Competitive
JNVLIAXO	1170	IA	BREMER	Competitive
JOQNTXXA	1181	TX	SHELBY	Non Competitive

Effective: February 20, 2020

4001 Rodney Parham Rd.
Little Rock, AR 72212

7.14 COMPETITIVE VS NON COMPETITIVE OFFICE LISTING (CONT'D)

Wire Center	OCN	State	County	County Classification
JSBGPAXJ	0176	PA	ELK	Competitive
JSPRFLXA	0336	FL	HAMILTON	Non Competitive
JSPRGAXA	4332	GA	PICKENS	Competitive
JULNNEXL	1568	NE	NEMAHA	Competitive
JUNTNEXL	1568	NE	ADAMS	Competitive
KAMYTXXA	1181	TX	WICHITA	Competitive
KENTIAXO	1167	IA	UNION	Competitive
KEOTIAXP	1167	IA	KEOKUK	Non Competitive
KETNGAXA	4425	GA	WALKER	Competitive
KGVLOHXA	0666	OH	ASHTABULA	Competitive
KINGNCXA	0476	NC	STOKES	Competitive
KIOWOKXA	1965	OK	PITTSBURG	Non Competitive
KLTNIA XO	1178	IA	RINGGOLD	Non Competitive
KNCYTXXA	1163	TX	KNOX	Non Competitive
KNDYNYXA	0109	NY	CHAUTAUQUA	Competitive
KNOXPAXK	0176	PA	CLARION	Competitive
KNPLNCXA	0474	NC	CABARRUS	Competitive
KNRDTXXA	1181	TX	HOUSTON	Non Competitive
KNSWNEXL	1568	NE	ADAMS	Competitive
KNTNOHXA	0665	OH	HARDIN	Competitive
KNVLIAXC	1178	IA	MARION	Non Competitive
KPRLTXXA	2153	TX	BOSQUE	Non Competitive
KRNCTXXA	1181	TX	HARRISON	Competitive - Grandfathered
KRSHSCXB	0517	SC	LANCASTER	Competitive
KRSYPAXK	0176	PA	ELK	Competitive
KRVLTXXA	2097	TX	KERR	Competitive
KTNGPAXK	0176	PA	ARMSTRONG	Non Competitive
KWCYOKXA	1165	OK	KAY	Non Competitive
KWLGALXA	0302	AL	ELMORE	Competitive
LACNIA XO	1178	IA	WARREN	Competitive
LAMSTXXA	1163	TX	DAWSON	Non Competitive
LAMTIA XO	1167	IA	BUCHANAN	Non Competitive
LAVNGAXA	4332	GA	FRANKLIN	Competitive
LBCTIA XO	1178	IA	WARREN	Competitive
LBNNKYXA	9690	KY	MARION	Competitive
LBRLMOXA	1885	MO	BARTON	Non Competitive
LBRTKYXA	9690	KY	CASEY	Non Competitive
LBRTNEXL	1568	NE	GAGE	Competitive

Effective: February 20, 2020

4001 Rodney Parham Rd.
Little Rock, AR 72212

7.14 COMPETITIVE VS NON COMPETITIVE OFFICE LISTING (CONT'D)

Wire Center	OCN	State	County	County Classification
LBVLIAXO	1178	IA	JEFFERSON	Competitive
LCBGARXA	1691	AR	SEVIER	Non Competitive
LCBGPAXL	0176	PA	ARMSTRONG	Non Competitive
LCLDMOXA	1885	MO	LINN	Non Competitive
LCLRIAXO	1170	IA	SCOTT	Competitive
LCRGIAXO	1178	IA	JEFFERSON	Competitive
LDWCGAXA	4425	GA	LONG	Non Competitive
LDYRIAXO	1167	IA	KOSSUTH	Competitive
LEDSALXA	0302	AL	ST CLAIR	Non Competitive
LEDSALXB	0302	AL	ST CLAIR	Non Competitive
LEOLARXA	1691	AR	GRANT	Non Competitive
LESLARXA	1691	AR	SEARCY	Non Competitive
LFYTGAXA	4425	GA	WALKER	Competitive
LGRDIAXO	1167	IA	MARSHALL	Competitive
LGRNOHXA	0665	OH	LORAIN	Competitive
LGTNIAXO	1178	IA	MAHASKA	Competitive
LGTNNMXA	1164	NM	LEA	Competitive
LHVLIAXP	1167	IA	CALHOUN	Competitive
LKBTFLEXA	0336	FL	UNION	Non Competitive
LKCYIAXO	1167	IA	CALHOUN	Competitive
LKLDGAXA	4332	GA	LANIER	Competitive
LKSNAGAXA	4425	GA	BALDWIN	Competitive
LKVGTXXA	2153	TX	BOSQUE	Non Competitive
LKVWIAXO	1178	IA	SAC	Competitive
LKVWTXXA	1163	TX	HALL	Non Competitive
LKWDNYXA	0109	NY	CHAUTAUQUA	Competitive
LLVLNCXA	0476	NC	ANSON	Competitive
LMSPIAXO	1178	IA	HOWARD	Competitive
LNBOIAXO	1178	IA	CARROLL	Competitive
LNCLNEXA	1568	NE	LANCASTER	Competitive
LNCLNEXB	1568	NE	LANCASTER	Competitive
LNCLNEXD	1568	NE	LANCASTER	Competitive
LNCLNEXL	1568	NE	LANCASTER	Competitive
LNCLNEXS	1568	NE	LANCASTER	Competitive
LNCSKYXA	9690	KY	GARRARD	Non Competitive
LNDNIAXO	1167	IA	DALLAS	Competitive
LNDNTXXA	1163	TX	CASS	Non Competitive
LNDNRMXC	1193	NM	RIO ARRIBA	Competitive

Effective: February 20, 2020

4001 Rodney Parham Rd.
Little Rock, AR 72212

7.14 COMPETITIVE VS NON COMPETITIVE OFFICE LISTING (CONT'D)

Wire Center	OCN	State	County	County Classification
LNDRSCXA	0517	SC	SPARTANBURG	Competitive
LNDSOKXA	1165	OK	GARVIN	Non Competitive
LNFRPAXL	0176	PA	CARBON	Competitive
LNGVIA XO	1178	IA	BUENA VISTA	Competitive
LNSTXXA	1163	TX	MORRIS	Non Competitive
LNSVPAXL	0176	PA	WAYNE	Non Competitive
LNTRIA XO	1178	IA	JOHNSON	Competitive
LOGNIA XO	1167	IA	HARRISON	Non Competitive
LOLDTXXA	1181	TX	HOUSTON	Non Competitive
LONATXXA	1181	TX	LEON	Non Competitive
LONDKYXA	9691	KY	LAUREL	Competitive
LORNTXXA	1181	TX	MITCHELL	Non Competitive
LOTTXXA	1181	TX	FALLS	Non Competitive
LOVLIAXO	1178	IA	MONROE	Competitive
LRHLNCXA	0476	NC	SCOTLAND	Competitive
LRNZTXXA	1163	TX	CROSBY	Competitive
LRTTYXA	9690	KY	MARION	Competitive
LRVFLXA	0336	FL	SUWANNEE	Non Competitive
LSBNIAXO	1170	IA	LINN	Competitive
LSVLNEXL	1568	NE	CASS	Non Competitive
LTFDKYXA	9690	KY	GRAYSON	Non Competitive
LTFDTXXA	1163	TX	LAMB	Non Competitive
LTHCOHXA	0666	OH	WASHINGTON	Competitive
LTITARXA	1691	AR	PULASKI	Competitive
LTRKARTL	1691	AR	PULASKI	Competitive
LTSXIA XO	1167	IA	HARRISON	Non Competitive
LTTSIA XO	1178	IA	LOUISA	Competitive
LTWDKYXA	9690	KY	PERRY	Competitive
LUBGPAXL	0176	PA	CLEARFIELD	Competitive
LUCSIAXP	1178	IA	LUCAS	Competitive
LVLDTXXA	1163	TX	HOCKLEY	Competitive
LVNGMXA	1164	NM	EDDY	Competitive
LVOKFLXA	0336	FL	SUWANNEE	Non Competitive
LVTNKYXA	9691	KY	ROCKCASTLE	Non Competitive
LWDNIA XO	1170	IA	CEDAR	Competitive
LWGMKYXA	9691	KY	LOGAN	Non Competitive
LWLRIA XO	1178	IA	CHICKASAW	Competitive
LWMRIA XO	1170	IA	CLINTON	Competitive

C

Effective: February 20, 2020

4001 Rodney Parham Rd.
Little Rock, AR 72212

7.14 COMPETITIVE VS NON COMPETITIVE OFFICE LISTING (CONT'D)

Wire Center	OCN	State	County	County Classification
LWVLNCXA	0476	NC	FORSYTH	Competitive
LXBGIA XO	1167	IA	DUBUQUE	Competitive
LXTNGAXA	0357	GA	OGLETHORPE	Non Competitive
LXTNKYXA	9690	KY	FAYETTE	Competitive
LXTNKYXB	9690	KY	FAYETTE	Competitive
LXTNKYXC	9690	KY	FAYETTE	Competitive
LXTNKYXD	9690	KY	FAYETTE	Competitive
LXTNKYXE	9690	KY	FAYETTE	Competitive
LXTNKYXF	9690	KY	FAYETTE	Competitive
LXTNKYXG	9690	KY	FAYETTE	Competitive
LXTNNCXA	0483	NC	DAVIDSON	Competitive
LXTNNCXB	0483	NC	DAVIDSON	Competitive
LXTNNCXC	0483	NC	DAVIDSON	Competitive
LXTNNCXD	0483	NC	DAVIDSON	Competitive
LXTNNCXE	0483	NC	DAVIDSON	Competitive
LXTNSCXB	0517	SC	LEXINGTON	Competitive
LXTNSCXC	0517	SC	LEXINGTON	Competitive
LYBKNMXC	1193	NM	RIO ARRIBA	Competitive
LYRLGAXA	4332	GA	CHATTOOGA	Competitive
LYTNIAXO	1178	IA	SAC	Competitive
MALNTXXA	1163	TX	HILL	Non Competitive
MAUDTXXA	1181	TX	BOWIE	Non Competitive
MAY TXXA	1181	TX	BROWN	Competitive
MAYOFLXA	0336	FL	LAFAYETTE	Non Competitive
MBTETXXA	1163	TX	WHEELER	Non Competitive
MCBGIA XO	1167	IA	STORY	Competitive
MCINFLXA	0336	FL	MARION	Competitive
MCJTNEXL	1568	NE	YORK	Competitive
MCRA GAXA	4332	GA	TELF AIR	Competitive
MDNMMOXA	1885	MO	BARTON	Non Competitive
MDRDIAXO	1170	IA	BOONE	Non Competitive
MDSNMOXA	1885	MO	MONROE	Competitive
MDSNOHXA	0666	OH	LAKE	Competitive
MDTWMOXA	1885	MO	MONTGOMERY	Non Competitive
MDVLGAXA	4332	GA	BALDWIN	Competitive
MDVLPAXM	0176	PA	CRAWFORD	Competitive
MDWYKYXA	9690	KY	WOODFORD	Competitive
MDWYPAXM	0176	PA	WASHINGTON	Competitive

Effective: February 20, 2020

4001 Rodney Parham Rd.
Little Rock, AR 72212

7.14 COMPETITIVE VS NON COMPETITIVE OFFICE LISTING (CONT'D)

Wire Center	OCN	State	County	County Classification
MEADNEXL	1568	NE	SAUNDERS	Competitive
MEDSKYXA	9690	KY	BOYD	Competitive
MEDWTXXA	1163	TX	TERRY	Non Competitive
MEGSGAXA	4332	GA	THOMAS	Competitive
MEKROKXA	1165	OK	LINCOLN	Competitive
MENLGAXA	4332	GA	CHATTOOGA	Competitive
MGNLIAXP	1167	IA	HARRISON	Non Competitive
MGRGTXXA	1163	TX	ARCHER	Competitive
MGTNARXA	1691	AR	VAN BUREN	Non Competitive
MHVLNCXA	0476	NC	UNION	Competitive
MIAMTXXA	1163	TX	ROBERTS	Non Competitive
MILNGAXA	4425	GA	DODGE	Competitive
MILNMOXA	1885	MO	SULLIVAN	Competitive
MILOIAXO	1178	IA	WARREN	Competitive
MINDIAXO	1170	IA	POTTAWATTAMIE	Competitive
MINGIAXO	1170	IA	JASPER	Competitive
MKBGIAXO	1178	IA	MADISON	Competitive
MLAMTXXA	1181	TX	HILL	Non Competitive
MLBNKYXA	9691	KY	CARLISLE	Non Competitive
MLBNOKXA	1965	OK	JOHNSTON	Non Competitive
MLBYARXA	1691	AR	CRAWFORD	Competitive
MLCHIA XO	1178	IA	MARION	Non Competitive
MLCKOKXA	1965	OK	JOHNSTON	Non Competitive
MLCLNEXL	1568	NE	LANCASTER	Competitive
MLCMIAXO	1167	IA	POWESHIEK	Competitive
MLFDOHXC	0666	OH	GEAUGA	Competitive
MLFRNEXL	1568	NE	SEWARD	Competitive
MLFRTXXA	1181	TX	ELLIS	Competitive - Grandfathered
MLGNNEXL	1568	NE	FILLMORE	Competitive
MLRDIAXO	1167	IA	PALO ALTO	Competitive
MLRSFLXA	0336	FL	PUTNAM	Non Competitive
MLRSIAXO	1170	IA	MONROE	Competitive
MLTNIAXO	1178	IA	VAN BUREN	Non Competitive
MLTRGAXA	4332	GA	COLQUITT	Competitive
MLVNIAXP	1167	IA	OSCEOLA	Competitive
MMCVKYXA	9691	KY	EDMONSON	Non Competitive
MMLLARXA	1691	AR	PULASKI	Competitive
MMPHTXXA	1163	TX	HALL	Non Competitive

Effective: February 20, 2020

4001 Rodney Parham Rd.
Little Rock, AR 72212

7.14 COMPETITIVE VS NON COMPETITIVE OFFICE LISTING (CONT'D)

Wire Center	OCN	State	County	County Classification
MNCHGAXA	4332	GA	MERIWETHER	Non Competitive
MNCHIAXO	1167	IA	DELAWARE	Competitive
MNCHKYXA	9691	KY	CLAY	Competitive
MNCYPAXM	0176	PA	LYCOMING	Competitive
MNDMIAXO	1167	IA	HARRISON	Non Competitive
MNDNMOXX	1885	MO	CHARITON	Non Competitive
MNDYTXXA	1163	TX	KNOX	Non Competitive
MNLSNYXA	0106	NY	ONONDAGA	Competitive
MNNGIAXO	1170	IA	JASPER	Competitive
MNPLIAXC	1178	IA	HENRY	Competitive
MNPLNCXA	0474	NC	CABARRUS	Competitive
MNSNIAXP	1167	IA	CALHOUN	Competitive
MNTIKYXA	9690	KY	WAYNE	Non Competitive
MNTNTXXA	1181	TX	LOVING	Non Competitive
MNTRIAOX	1167	IA	TAMA	Competitive
MODLIAOX	1167	IA	HARRISON	Non Competitive
MOHOOKXA	2011	OK	LE FLORE	Non Competitive
MONRGAXA	4332	GA	WALTON	Competitive - Grandfathered
MONRIAXO	1178	IA	JASPER	Competitive
MORNTXXA	1181	TX	SHACKELFORD	Non Competitive
MORVIAOX	1178	IA	APPANOOSE	Competitive
MOSHTXXA	2153	TX	BOSQUE	Non Competitive
MPLKMNXA	1414	MN	WRIGHT	Competitive
MRBGIAOX	1178	IA	KEOKUK	Non Competitive
MRBGMOXA	1885	MO	AUDRAIN	Competitive
MRBOARXA	1691	AR	PIKE	Non Competitive
MRCLNYXA	0106	NY	ONONDAGA	Competitive
MRDCNEXL	1568	NE	CASS	Non Competitive
MRDLIAOX	1178	IA	WARREN	Competitive
MRGNGAXA	4332	GA	CALHOUN	Non Competitive
MRGNTXXA	1181	TX	BOSQUE	Non Competitive
MRHDKYXA	9690	KY	ROWAN	Competitive
MRKLTXXA	1181	TX	TAYLOR	Competitive - Grandfathered
MRNGIAXO	1167	IA	IOWA	Non Competitive
MRQZTXXA	1181	TX	LEON	Non Competitive
MRRKIAXO	1170	IA	FLOYD	Competitive
MRRSOKXC	1165	OK	OKMULGEE	Non Competitive
MRRYNEXL	1568	NE	CASS	Non Competitive

Effective: February 20, 2020

4001 Rodney Parham Rd.
Little Rock, AR 72212

7.14 COMPETITIVE VS NON COMPETITIVE OFFICE LISTING (CONT'D)

Wire Center	OCN	State	County	County Classification
MRSHARXA	1691	AR	SEARCY	Non Competitive
MRTHIAXO	1178	IA	BUENA VISTA	Competitive
MRTLNEXL	1568	NE	LANCASTER	Competitive
MRTNTXXA	1163	TX	COCHRAN	Competitive
MRTTXXA	1163	TX	CASS	Non Competitive
MRTWOHXA	0666	OH	BELMONT	Non Competitive
MRVINCXA	0476	NC	IREDELL	Competitive
MRVLGAXA	4332	GA	MACON	Non Competitive
MRVLMOXA	1885	MO	POLK	Non Competitive
MRVNGAXA	4332	GA	BROOKS	Non Competitive
MRVNNCXA	0476	NC	ANSON	Competitive
MSCWIA XO	1170	IA	MUSCATINE	Competitive
MSPTOHXA	0666	OH	TRUMBULL	Competitive
MTAGTXXA	2153	TX	MONTAGUE	Non Competitive
MTAYIAXC	1178	IA	RINGGOLD	Non Competitive
MTCLTXXA	1163	TX	HILL	Non Competitive
MTGMPAXE	0176	PA	LYCOMING	Competitive
MTHWNCXB	0476	NC	MECKLENBURG	Competitive
MTHWNCXC	0476	NC	MECKLENBURG	Competitive
MTIDARXA	1691	AR	MONTGOMERY	Non Competitive
MTMRPAXM	0176	PA	GREENE	Non Competitive
MTOLKYXA	9691	KY	ROBERTSON	Non Competitive
MTRSGAXA	4425	GA	LAURENS	Non Competitive
MTRSIAXO	1178	IA	LEE	Competitive
MTRSMNXB	1414	MN	WRIGHT	Competitive
MTUNIAXO	1178	IA	HENRY	Competitive
MTVLOHXA	0666	OH	GEAUGA	Competitive
MTVRGAXA	4332	GA	MONTGOMERY	Non Competitive
MTVRKYAI	9691	KY	ROCKCASTLE	Non Competitive
MTVWOKXA	1965	OK	KIOWA	Non Competitive
MTWSKYXA	0402	KY	BULLITT	Competitive
MTZMGAXA	4332	GA	MACON	Non Competitive
MUNVNYXA	0106	NY	MADISON	Competitive
MXWLIAXP	1167	IA	STORY	Competitive
MXYSGAXA	0357	GA	OGLETHORPE	Non Competitive
MYCYIAXP	1167	IA	OSCEOLA	Competitive
MYLCKYXA	9691	KY	MASON	Non Competitive
MYNRIAXO	1178	IA	FAYETTE	Competitive

Effective: February 20, 2020

4001 Rodney Parham Rd.
Little Rock, AR 72212

7.14 COMPETITIVE VS NON COMPETITIVE OFFICE LISTING (CONT'D)

Wire Center	OCN	State	County	County Classification
MYRTMOXA	1885	MO	OREGON	Non Competitive
MYSTIAXO	1178	IA	APPANOOSE	Competitive
MYVLGAXA	0357	GA	JACKSON	Competitive - Grandfathered
MYVLOKXA	1165	OK	GARVIN	Non Competitive
NANCKYXA	9690	KY	PULASKI	Non Competitive
NBCYNEXL	1568	NE	OTOE	Competitive
NBTNTXXB	1163	TX	BOWIE	Non Competitive
NCHLIAXO	1178	IA	MUSCATINE	Competitive
NCNATXXA	2153	TX	MONTAGUE	Non Competitive
NCSNGAXA	0357	GA	JACKSON	Competitive - Grandfathered
NCVLKYXA	9690	KY	JESSAMINE	Competitive
NEMHNEXL	1568	NE	NEMAHA	Competitive
NEVDIAXC	1167	IA	STORY	Competitive
NGLYTXXA	1181	TX	RED RIVER	Non Competitive
NHFRMOXA	1885	MO	PIKE	Non Competitive
NHTNIAXC	1170	IA	CHICKASAW	Competitive
NHWKNEXL	1568	NE	CASS	Non Competitive
NLSNEXL	1568	NE	NUCKOLLS	Non Competitive
NLVLMOXA	1885	MO	BUTLER	Non Competitive
NMRDARXA	1691	AR	PERRY	Non Competitive
NOBLGAXA	4425	GA	WALKER	Competitive
NPLSOHXA	0665	OH	LUCAS	Competitive
NPLSTXXA	1163	TX	MORRIS	Non Competitive
NRFDHXA	0666	OH	SUMMIT	Competitive
NRMNARXA	1691	AR	MONTGOMERY	Non Competitive
NRMNTXXA	1181	TX	LEON	Non Competitive
NRPKGAXA	4332	GA	COLQUITT	Competitive
NRVLOHXA	0665	OH	LORAIN	Competitive
NRWDNCXA	0476	NC	STANLY	Competitive
NSVLGAXA	4332	GA	BERRIEN	Competitive
NWAXPAXN	0176	PA	WESTMORELAND	Competitive - Grandfathered
NWBHPAXN	0176	PA	CLARION	Competitive
NWBYOHXA	0666	OH	GEAUGA	Competitive
NWFPPAXN	0176	PA	GREENE	Non Competitive
NWLLIAXO	1178	IA	BUENA VISTA	Competitive
NWLNIAOXO	1178	IA	HENRY	Competitive
NWLNNCXA	0474	NC	STANLY	Competitive
NWRKOHXA	0665	OH	LICKING	Competitive

Effective: February 20, 2020

4001 Rodney Parham Rd.
Little Rock, AR 72212

7.14 COMPETITIVE VS NON COMPETITIVE OFFICE LISTING (CONT'D)

Wire Center	OCN	State	County	County Classification
NWRKOHXB	0665	OH	LICKING	Competitive
NWRKOHXC	0665	OH	LICKING	Competitive
NWRKOHXD	0665	OH	LICKING	Competitive
NWSHAXO	1170	IA	MAHASKA	Competitive
NWSLNCXA	0476	NC	UNION	Competitive
NWTNAXC	1170	IA	JASPER	Competitive
NWTNTXXA	1181	TX	NEWTON	Non Competitive
NWVNIAXP	1167	IA	DUBUQUE	Competitive
NWVRIAXO	1178	IA	WARREN	Competitive
NYLRMOXX	1885	MO	RIPLEY	Non Competitive
NZLHTXXA	1181	TX	MADISON	Non Competitive
NZRTXXA	1181	TX	CASTRO	Competitive
OCHYIAXP	1167	IA	OSCEOLA	Competitive
OCLLGAXA	4332	GA	IRWIN	Competitive
OCTVNEXL	1568	NE	BUTLER	Non Competitive
ODENARXA	1691	AR	MONTGOMERY	Non Competitive
ODUMGAXA	4425	GA	WAYNE	Competitive
ODVLALXA	0302	AL	ST CLAIR	Non Competitive
OHIWNEXL	1568	NE	FILLMORE	Competitive
OJCLNMXC	1193	NM	TAOS	Non Competitive
OKBONCXA	0474	NC	STANLY	Competitive
OKGVARXA	1691	AR	CARROLL	Competitive
OKLNARXA	1691	AR	CLARK	Non Competitive
OKVLIAXO	1178	IA	LOUISA	Competitive
OKWDTXXA	1181	TX	LEON	Non Competitive
OLDSIAXO	1178	IA	HENRY	Competitive
OLHLKYXA	9690	KY	CARTER	Competitive - Grandfathered
OLIVNCXA	0476	NC	HARNETT	Competitive
OLLIAXO	1178	IA	KEOKUK	Non Competitive
OLNYMOXA	1885	MO	LINCOLN	Competitive
OLTWNCXA	0476	NC	FORSYTH	Competitive
OLWSOHXA	0666	OH	GUERNSEY	Competitive
ONEDKYXA	9691	KY	CLAY	Competitive
ONG NEXL	1568	NE	CLAY	Non Competitive
ORLATXXA	1181	TX	REEVES	Non Competitive
ORNTIAXP	1167	IA	ADAIR	Non Competitive
ORSPFLXA	0336	FL	MARION	Competitive
OSCLIAXD	1167	IA	CLARKE	Competitive

Effective: February 20, 2020

4001 Rodney Parham Rd.
Little Rock, AR 72212

7.14 COMPETITIVE VS NON COMPETITIVE OFFICE LISTING (CONT'D)

Wire Center	OCN	State	County	County Classification
OSCLNEXL	1568	NE	POLK	Non Competitive
OTLYIAXO	1178	IA	MARION	Non Competitive
OTOENEXL	1568	NE	OTOE	Competitive
OWVLKYXA	9690	KY	BATH	Competitive
OXFRIAXP	1167	IA	JOHNSON	Competitive
OXLYMOXA	1885	MO	RIPLEY	Non Competitive
PADNOKXA	1165	OK	OKFUSKEE	Competitive
PANMIAXO	1167	IA	SHELBY	Competitive
PANMNEXL	1568	NE	LANCASTER	Competitive
PANMNYXA	0109	NY	CHAUTAUQUA	Competitive
PASNMOXX	1885	MO	WAYNE	Non Competitive
PAVOGAXA	4332	GA	THOMAS	Competitive
PCKRNEXL	1568	NE	GAGE	Competitive
PCLDNCXA	0476	NC	ANSON	Competitive
PCWDIAXO	1178	IA	JEFFERSON	Competitive
PDMTMOXX	1885	MO	WAYNE	Non Competitive
PECSTXXA	1181	TX	REEVES	Non Competitive
PECSTXXB	1181	TX	REEVES	Non Competitive
PELLIAXO	1178	IA	MARION	Non Competitive
PEORIAOX	1178	IA	MAHASKA	Competitive
PERSIAXP	1167	IA	HARRISON	Non Competitive
PERUIAXO	1178	IA	MADISON	Competitive
PERUNEXL	1568	NE	NEMAHA	Competitive
PHNXNYXA	0106	NY	OSWEGO	Competitive
PIRPOHXA	0666	OH	ASHTABULA	Competitive
PITSGAXA	4425	GA	WILCOX	Non Competitive
PKCYOKXA	1965	OK	CARTER	Non Competitive
PLANIAXO	1178	IA	APPANOOSE	Competitive
PLDLNEXL	1568	NE	SEWARD	Competitive
PLHLOHXA	0665	OH	MIAMI	Competitive
PLHPMOXA	1885	MO	POLK	Non Competitive
PLLNIAOX	1178	IA	O'BRIEN	Competitive
PLMONEXL	1568	NE	JEFFERSON	Competitive
PLMYNEXL	1568	NE	OTOE	Competitive
PLNGOHXA	0665	OH	PAULDING	Competitive
PLNSTXXA	2153	TX	YOAKUM	Non Competitive
PLTSNEXL	1568	NE	CASS	Non Competitive
PLXYTXXA	2153	TX	HOOD	Competitive

Effective: February 20, 2020

4001 Rodney Parham Rd.
Little Rock, AR 72212

7.14 COMPETITIVE VS NON COMPETITIVE OFFICE LISTING (CONT'D)

Wire Center	OCN	State	County	County Classification
PMCYIAXO	1178	IA	WAYNE	Non Competitive
PMRYIAXO	1167	IA	CALHOUN	Competitive
PNBLNCXA	0476	NC	MOORE	Competitive
PNDRGAXA	0357	GA	JACKSON	Competitive - Grandfathered
PNDRMOXA	1885	MO	RIPLEY	Non Competitive
PNFDPAXB	0176	PA	CLEARFIELD	Competitive
PNGBARXA	1691	AR	WHITE	Non Competitive
PNHDTXXA	1163	TX	CARSON	Non Competitive
PNLCKYXE	9690	KY	MADISON	Competitive
PNLDTXXA	1181	TX	SABINE	Non Competitive
PNSLOHXA	0666	OH	SUMMIT	Competitive
PNTNTXXA	1181	TX	TRINITY	Non Competitive
PNVWGAXA	4425	GA	WILCOX	Non Competitive
POLKMOXA	1885	MO	POLK	Non Competitive
POLKNEXL	1568	NE	POLK	Non Competitive
POSTTXXA	1163	TX	GARZA	Non Competitive
POTEOKXA	2011	OK	LE FLORE	Non Competitive
PRAGOKXA	1165	OK	LINCOLN	Competitive
PRCLOKXA	1165	OK	MCCLAIN	Non Competitive
PRCVIAXO	1167	IA	FREMONT	Non Competitive
PRCYKYXA	9691	KY	BARREN	Competitive
PRDNTXXA	1181	TX	NAVARRO	Non Competitive
PRDYMOXA	1885	MO	BARRY	Competitive
PRHLTXXA	2147	TX	LIMESTONE	Non Competitive
PRMGIAXP	1167	IA	O'BRIEN	Competitive
PRMNOHXA	0666	OH	GEAUGA	Competitive
PRMRIAXO	1178	IA	LEE	Competitive
PRNTMSXA	0453	MS	JEFFERSON DAVIS	Competitive
PRRTGAXA	4332	GA	TERRELL	Competitive
PRRYARXA	1691	AR	PERRY	Non Competitive
PRRYGAXA	4332	GA	HOUSTON	Competitive
PRRYOHXA	0666	OH	LAKE	Competitive
PRSCIAXO	1167	IA	ADAMS	Non Competitive
PRTVIAXO	1167	IA	HOWARD	Competitive
PRVIARXA	1691	AR	GRANT	Non Competitive
PRVLARXA	1691	AR	PERRY	Non Competitive
PSGHIAXO	1167	IA	HARRISON	Non Competitive
PSTNGAXA	4332	GA	WEBSTER	Non Competitive

Effective: February 20, 2020

4001 Rodney Parham Rd.
Little Rock, AR 72212

7.14 COMPETITIVE VS NON COMPETITIVE OFFICE LISTING (CONT'D)

Wire Center	OCN	State	County	County Classification
PSVLIAXO	1178	IA	MARION	Non Competitive
PTBGMOXX	1885	MO	DAVISS	Competitive
PTBGTXXA	1163	TX	HALE	Non Competitive
PTEROKXC	1165	OK	WAGONER	Competitive
PTMOIAXP	1167	IA	SHELBY	Competitive
PTMTPAXP	0176	PA	CENTRE	Competitive
PTNMTXXA	1181	TX	CALLAHAN	Competitive - Grandfathered
PTSNIAXO	1178	IA	CLAY	Competitive
PWCYNEXL	1568	NE	PAWNEE	Competitive
PWPNOHXA	0666	OH	BELMONT	Non Competitive
PYTNTXXA	1163	TX	OCHILTREE	Non Competitive
PYVLMNXP	1414	MN	STEARNS	Competitive
QKCYOHXA	0666	OH	GUERNSEY	Competitive
QTMNARXA	1691	AR	CLEBURNE	Non Competitive
QTMNGAXA	4332	GA	BROOKS	Non Competitive
RAFRFLXA	0336	FL	UNION	Non Competitive
RALSTXXA	1163	TX	CROSBY	Competitive
RAMNOKXA	1165	OK	WASHINGTON	Competitive
RBCCGAXA	4425	GA	TURNER	Non Competitive
RCCKOHXA	0666	OH	ASHTABULA	Competitive
RCCYIAXC	1167	IA	CALHOUN	Competitive
RCFDOHXA	0666	OH	SUMMIT	Competitive
RCHEGAXA	4425	GA	WILCOX	Non Competitive
RCKTIAXO	1178	IA	CRAWFORD	Competitive
RCLDIAXO	1178	IA	KEOKUK	Non Competitive
RCLDTXXA	1181	TX	NAVARRO	Non Competitive
RCYVPAXR	0176	PA	WASHINGTON	Competitive
RDDWNMXC	1193	NM	LINCOLN	Competitive
RDFDIAXO	1167	IA	DALLAS	Competitive
RDNGIAXO	1178	IA	RINGGOLD	Non Competitive
RDVLGAXA	4425	GA	TATTNALL	Non Competitive
RDVLOHXA	0666	OH	MEIGS	Non Competitive
RDWRTXXA	1181	TX	BOWIE	Non Competitive
RGRSTXXA	1181	TX	BELL	Competitive
RGWYPAXR	0176	PA	ELK	Competitive
RHINGAXA	4425	GA	DODGE	Competitive
RIVSTXXA	2153	TX	JOHNSON	Competitive
RKLDPAXR	0176	PA	VENANGO	Non Competitive

Effective: February 20, 2020

4001 Rodney Parham Rd.
Little Rock, AR 72212

7.14 COMPETITIVE VS NON COMPETITIVE OFFICE LISTING (CONT'D)

Wire Center	OCN	State	County	County Classification
RKLWTXXA	1181	TX	CHEROKEE	Non Competitive
RLTNIAXO	1167	IA	CARROLL	Competitive
RMBGPAXR	0176	PA	CLARION	Competitive
RMBRIAXO	1178	IA	BUENA VISTA	Competitive
RNBCIAXO	1167	IA	GRUNDY	Non Competitive
RNCNGAXA	4425	GA	EFFINGHAM	Competitive
RNDAIAXO	1178	IA	FAYETTE	Competitive
RNDHIAOX	1167	IA	FREMONT	Non Competitive
RNDHNYXA	0109	NY	CATTARAUGUS	Competitive
RNDLIAOX	1167	IA	HAMILTON	Competitive
RNGLTXXA	2153	TX	MONTAGUE	Non Competitive
ROCHIAOX	1170	IA	CEDAR	Competitive
ROCHTXXA	1163	TX	HASKELL	Competitive
ROLDIAXP	1167	IA	STORY	Competitive
ROLFIAOX	1167	IA	POCAHONTAS	Competitive
RPPYIAXO	1167	IA	GREENE	Non Competitive
RPVLTXXA	1163	TX	HOCKLEY	Competitive
RRHLNCXA	0476	NC	FORSYTH	Competitive
RRVLPAXR	0176	PA	GREENE	Non Competitive
RRVYPAXR	0176	PA	ARMSTRONG	Non Competitive
RSBDARXA	1691	AR	WHITE	Non Competitive
RSBDTXXA	1181	TX	FALLS	Non Competitive
RSCYNEXL	1568	NE	BUTLER	Non Competitive
RSELTXXA	1181	TX	MCLENNAN	Competitive
RSKNNEXL	1568	NE	NUCKOLLS	Non Competitive
RSSLIAXO	1178	IA	LUCAS	Competitive
RSSLKYXB	9690	KY	GREENUP	Competitive
RSSLOHXA	0666	OH	GEAUGA	Competitive
RSSTTXXA	1181	TX	EASTLAND	Non Competitive
RSVTOKXA	1965	OK	KIOWA	Non Competitive
RTCYOKXA	1965	OK	CARTER	Non Competitive
RTVLMOXX	1885	MO	CHARITON	Non Competitive
RUDDARXA	1691	AR	CARROLL	Competitive
RUDSNMXX	1193	NM	LINCOLN	Competitive
RUDSNMXX	1193	NM	LINCOLN	Competitive
RULETXXA	1163	TX	HASKELL	Competitive
RVSDIAXO	1178	IA	WASHINGTON	Competitive
RVTNIAXP	1167	IA	FREMONT	Non Competitive

Effective: February 20, 2020

4001 Rodney Parham Rd.
Little Rock, AR 72212

7.14 COMPETITIVE VS NON COMPETITIVE OFFICE LISTING (CONT'D)

Wire Center	OCN	State	County	County Classification
RWLYIAXO	1178	IA	BUCHANAN	Non Competitive
RYANIAXO	1167	IA	DELAWARE	Competitive
RYCYGAXB	4332	GA	BERRIEN	Competitive
RYMNNEXL	1568	NE	LANCASTER	Competitive
RYVLGAXA	4425	GA	SEMINOLE	Non Competitive
SABLIAXP	1170	IA	JACKSON	Non Competitive
SAEGPAXS	0176	PA	CRAWFORD	Competitive
SALMIAXO	1178	IA	HENRY	Competitive
SAVLPAXS	0176	PA	CLARION	Competitive
SCHLKYXA	9691	KY	PULASKI	Non Competitive
SCHSGAXA	0386	GA	UNION	Non Competitive
SCHSIAXO	1178	IA	CRAWFORD	Competitive
SCRVGAXA	4425	GA	WAYNE	Competitive
SCRYTXA	2153	TX	KAUFMAN	Competitive - Grandfathered
SCVLKYXA	9690	KY	ALLEN	Non Competitive
SDNYIAXP	1167	IA	FREMONT	Non Competitive
SFRCARXA	1691	AR	PERRY	Non Competitive
SGLDTXXD	2147	TX	FORT BEND	Competitive
SGLDTXXE	2147	TX	FORT BEND	Competitive
SGRNIAXP	1167	IA	KEOKUK	Non Competitive
SGRVTXXA	1163	TX	GAINES	Competitive
SHBGKYXA	9690	KY	BATH	Competitive
SHCKNEXL	1568	NE	FILLMORE	Competitive
SHCYIAXO	1178	IA	UNION	Competitive
SHDNKYXA	9690	KY	HARDIN	Competitive
SHFDPAXS	0176	PA	WARREN	Competitive
SHKVPAXS	0176	PA	MERCER	Competitive
SHLBIAXO	1170	IA	POTTAWATTAMIE	Competitive
SHLBNEXL	1568	NE	POLK	Non Competitive
SHLWTXA	1163	TX	LUBBOCK	Competitive - Grandfathered
SHMNGAXA	4332	GA	RANDOLPH	Competitive
SHPVKYXA	0402	KY	BULLITT	Competitive
SHRDARXA	1691	AR	GRANT	Non Competitive
SHRVNYXA	0113	NY	ONTARIO	Competitive
SIGLPAXS	0176	PA	JEFFERSON	Non Competitive
SILXMOXA	1885	MO	LINCOLN	Competitive
SKTNMOXA	1885	MO	CEDAR	Non Competitive
SLCMTXXA	1181	TX	ANDERSON	Non Competitive

Effective: February 20, 2020

4001 Rodney Parham Rd.
Little Rock, AR 72212

7.14 COMPETITIVE VS NON COMPETITIVE OFFICE LISTING (CONT'D)

Wire Center	OCN	State	County	County Classification
SLIGPAXS	0176	PA	CLARION	Competitive
SLLCYXA	9690	KY	BATH	Competitive
SLTRIAOXO	1167	IA	STORY	Competitive
SLVLNCXA	0476	NC	FORSYTH	Competitive
SMGVKYXA	9691	KY	WARREN	Competitive
SMLDKYXA	9691	KY	LIVINGSTON	Non Competitive
SMMSTXXA	1181	TX	BOWIE	Non Competitive
SMNRIAXO	1170	IA	BREMER	Competitive
SMNRMOXA	1885	MO	CHARITON	Non Competitive
SMNTNCXA	0483	NC	DAVIDSON	Competitive
SMPTTXXA	2153	TX	GALVESTON	Competitive
SMRTKYXA	9690	KY	PULASKI	Non Competitive
SMVLOKXA	1965	OK	MCCURTAIN	Non Competitive
SMYRTXXA	1163	TX	HOCKLEY	Competitive
SNCVNYXA	0109	NY	CHAUTAUQUA	Competitive
SNDWTXXA	1163	TX	HOCKLEY	Competitive
SNDYTXXA	2147	TX	LIMESTONE	Non Competitive
SNFRNCXA	0476	NC	LEE	Competitive
SNFRTXXA	1181	TX	HUTCHINSON	Non Competitive
SNGHOKXA	1165	OK	WAGONER	Competitive
SNLKPAXS	0176	PA	MERCER	Competitive
SNRYTXXA	1181	TX	MOORE	Non Competitive
SNYDOKXA	1965	OK	KIOWA	Non Competitive
SNYSNMXC	1193	NM	SANDOVAL	Competitive
SOCYMOXA	1885	MO	LAWRENCE	Non Competitive
SOLNIAXO	1178	IA	JOHNSON	Competitive
SOVLKYXA	9691	KY	PULASKI	Non Competitive
SPDETXXA	1163	TX	LAMB	Non Competitive
SPFDGAXA	4425	GA	EFFINGHAM	Competitive
SPFTTXXA	2153	TX	MONTAGUE	Non Competitive
SPGGPAXS	0176	PA	GREENE	Non Competitive
SPMNTXXA	1163	TX	HANSFORD	Non Competitive
SPRKARXA	1691	AR	DALLAS	Non Competitive
SPRRNEXL	1568	NE	NUCKOLLS	Non Competitive
SPVLALXA	0302	AL	ST CLAIR	Non Competitive
SPVLPAXS	0176	PA	CLARION	Competitive
SRBLTXXA	1181	TX	HUDSPETH	Non Competitive
SRFRTXXA	1163	TX	SHERMAN	Competitive

Effective: February 20, 2020

4001 Rodney Parham Rd.
Little Rock, AR 72212

7.14 COMPETITIVE VS NON COMPETITIVE OFFICE LISTING (CONT'D)

Wire Center	OCN	State	County	County Classification
SRPSNEXL	1568	NE	BUTLER	Non Competitive
SSHRKYXA	9690	KY	GREENUP	Competitive
SSSRGAXA	4332	GA	TERRELL	Competitive
STANIAXO	1167	IA	MITCHELL	Competitive
STBGNEXL	1568	NE	POLK	Non Competitive
STBGNXYA	0109	NY	CATTARAUGUS	Competitive
STCYIAXP	1167	IA	STORY	Competitive
STCYMOXA	1885	MO	NEWTON	Competitive
STCYNEXL	1568	NE	JEFFERSON	Competitive
STEZMOXA	1885	MO	MILLER	Competitive
STGRGAXA	4425	GA	CHARLTON	Competitive
STLCIAXO	1178	IA	FAYETTE	Competitive
STLSOHXA	0665	OH	LICKING	Competitive
STLSOKXA	1165	OK	POTTAWATOMIE	Competitive
STMNNXYA	0109	NY	CHAUTAUQUA	Competitive
STMNTXXA	1181	TX	FREESTONE	Non Competitive
STMTSCXA	0517	SC	CALHOUN	Non Competitive
STMPAXS	0176	PA	ELK	Competitive
STNGNEXL	1568	NE	JOHNSON	Competitive
STNGOKXA	1965	OK	COMANCHE	Competitive - Grandfathered
STNRNEXL	1568	NE	PAWNEE	Competitive
STPLARXA	1691	AR	MADISON	Non Competitive
STPNIAXP	1167	IA	CLAYTON	Competitive
STPROHXA	0665	OH	CHAMPAIGN	Competitive
STRDOKXA	1165	OK	LINCOLN	Competitive
STTNEXL	1568	NE	CLAY	Non Competitive
STTWOKXA	1965	OK	ATOKA	Non Competitive
STVLIAXO	1167	IA	MITCHELL	Competitive
STVRMOXA	1885	MO	MORGAN	Non Competitive
STWDIAXO	1170	IA	CEDAR	Competitive
STWLOKXA	2011	OK	ADAIR	Non Competitive
SUVLGAXA	4332	GA	CHATTOOGA	Competitive
SUVLPAXS	0176	PA	JEFFERSON	Non Competitive
SVNNOKXA	1965	OK	PITTSBURG	Non Competitive
SWCYIAXO	1167	IA	KOSSUTH	Competitive
SWNYTXXA	2147	TX	BRAZORIA	Competitive
SWRDNEXL	1568	NE	SEWARD	Competitive
SWTNARXA	1691	AR	JACKSON	Non Competitive

Effective: February 20, 2020

4001 Rodney Parham Rd.
Little Rock, AR 72212

7.14 COMPETITIVE VS NON COMPETITIVE OFFICE LISTING (CONT'D)

Wire Center	OCN	State	County	County Classification
SWTNEXL	1568	NE	SALINE	Competitive
SYMRIAXO	1178	IA	WAYNE	Non Competitive
SYMRTXXA	1163	TX	BAYLOR	Competitive
SYRCNEXL	1568	NE	OTOE	Competitive
SYVNGAXA	4425	GA	SCREVEN	Competitive
TABRIAXO	1167	IA	FREMONT	Non Competitive
TAMRNEXL	1568	NE	SEWARD	Competitive
TBRKNEXL	1568	NE	PAWNEE	Competitive
TCMNARXA	1691	AR	JACKSON	Non Competitive
TCMSNEXL	1568	NE	JOHNSON	Competitive
TCMSOKXB	1165	OK	POTTAWATOMIE	Competitive
TFFNIA XO	1167	IA	JOHNSON	Competitive
THCNTXXA	2147	TX	LIMESTONE	Non Competitive
THKATXXA	1163	TX	LYNN	Competitive
THRKTXXA	1163	TX	THROCKMORTON	Non Competitive
THRMIAXP	1167	IA	FREMONT	Non Competitive
THSNOHXA	0666	OH	GEAUGA	Competitive
THTNGAXA	4425	GA	UPSON	Competitive
THTNGAXB	4425	GA	UPSON	Competitive
TLARTXXA	2153	TX	HOOD	Competitive
TLBOKYXA	9690	KY	LEWIS	Non Competitive
TLIATXXA	1181	TX	SWISHER	Non Competitive
TLMGNEXL	1568	NE	OTOE	Competitive
TMBLOHXA	0666	OH	ASHTABULA	Competitive
TMBLPAXT	0176	PA	JEFFERSON	Non Competitive
TMTNPAXT	0176	PA	ARMSTRONG	Non Competitive
TMVLKYXA	9690	KY	MONROE	Competitive
TNGLIAXO	1178	IA	RINGGOLD	Non Competitive
TNHATXXA	1181	TX	SHELBY	Non Competitive
TNHLGAXA	4332	GA	WHITFIELD	Competitive
TOBSNEXL	1568	NE	SALINE	Competitive
TOCCGAXA	4332	GA	STEPHENS	Non Competitive
TOLDIAXO	1167	IA	TAMA	Competitive
TOYHTXXA	1181	TX	REEVES	Non Competitive
TPTNIA XO	1170	IA	CEDAR	Competitive
TRACIAXO	1178	IA	MARION	Non Competitive
TRAMMXC	1193	NM	RIO ARRIBA	Competitive
TRARIA XO	1167	IA	TAMA	Competitive

Effective: February 20, 2020

4001 Rodney Parham Rd.
Little Rock, AR 72212

7.14 COMPETITIVE VS NON COMPETITIVE OFFICE LISTING (CONT'D)

Wire Center	OCN	State	County	County Classification
TRCHNMXC	1193	NM	RIO ARRIBA	Competitive
TRCNCMXB	1193	NM	SIERRA	Non Competitive
TRCNCMXC	1193	NM	SIERRA	Non Competitive
TRINGAXA	4332	GA	CHATTOOGA	Competitive
TRMLIAXO	1167	IA	LINN	Competitive
TRNTTXXA	1181	TX	TAYLOR	Competitive - Grandfathered
TRNYTXXA	1163	TX	TRINITY	Non Competitive
TRYNNCXA	0476	NC	POLK	Competitive
TUVLPAXT	0176	PA	NORTHUMBERLAND	Non Competitive
TWBGHXA	0666	OH	SUMMIT	Competitive
TWVLPAXT	0176	PA	CRAWFORD	Competitive
TXRKTXXA	1163	TX	BOWIE	Non Competitive
TXRKTXXB	1163	TX	BOWIE	Non Competitive
UMPRARXA	1691	AR	HOWARD	Non Competitive
UNADGAXA	4332	GA	DOOLY	Competitive
UNADNEXL	1568	NE	OTOE	Competitive
UNCTTXXA	1181	TX	HARRISON	Competitive - Grandfathered
UNINNEXL	1568	NE	CASS	Non Competitive
UNPNGAXA	0357	GA	GREENE	Non Competitive
UNSTMOXA	1885	MO	DEKALB	Competitive
UNTWKYXA	9691	KY	UNION	Non Competitive
UNVLIAXO	1178	IA	APPANOOSE	Competitive
UTE IAXO	1178	IA	MONONA	Competitive
UTICNEXL	1568	NE	SEWARD	Competitive
UVLDGAXA	4425	GA	MONTGOMERY	Non Competitive
VAILIAXO	1178	IA	CRAWFORD	Competitive
VANDMOXA	1885	MO	AUDRAIN	Competitive
VEGATXXA	1181	TX	OLDHAM	Non Competitive
VELMOKXA	1965	OK	STEPHENS	Non Competitive
VHRNTXXA	1181	TX	CULBERSON	Non Competitive
VIANOKXA	2011	OK	SEQUOYAH	Non Competitive
VICCKYXA	9690	KY	PERRY	Competitive
VILNARXA	1691	AR	FAULKNER	Competitive
VLCTNMXC	1193	NM	SIERRA	Non Competitive
VLMLTXXA	2153	TX	BOSQUE	Non Competitive
VLNTTXXA	1181	TX	JEFF DAVIS	Non Competitive
VLNWXAXA	4425	GA	WALKER	Competitive
VLPRNEXL	1568	NE	SAUNDERS	Competitive

Effective: February 20, 2020

4001 Rodney Parham Rd.
Little Rock, AR 72212

7.14 COMPETITIVE VS NON COMPETITIVE OFFICE LISTING (CONT'D)

Wire Center	OCN	State	County	County Classification
VLRDNMXC	1193	NM	RIO ARRIBA	Competitive
VNBGKYXA	9690	KY	LEWIS	Non Competitive
VOLGIAXO	1167	IA	CLAYTON	Competitive
VRNAMOXAXA	1885	MO	LAWRENCE	Non Competitive
VRSLKYXA	9690	KY	WOODFORD	Competitive
WACMIAXO	1178	IA	FAYETTE	Competitive
WACONEXL	1568	NE	YORK	Competitive
WADNIAXP	1167	IA	FAYETTE	Competitive
WAHONEXL	1568	NE	SAUNDERS	Competitive
WALDFLXA	0336	FL	ALACHUA	Competitive
WASHIAXO	1167	IA	WASHINGTON	Competitive
WASHKYXA	9691	KY	MASON	Non Competitive
WASHOKXA	1165	OK	MCCLAIN	Non Competitive
WAYNOKXA	1165	OK	MCCLAIN	Non Competitive
WCHSIAOXO	1167	IA	WASHINGTON	Competitive
WCKSARXA	1691	AR	POLK	Non Competitive
WDBIIAXO	1167	IA	HARRISON	Non Competitive
WDBONCXA	0476	NC	ANSON	Competitive
WDLGAXA	4332	GA	TALBOT	Non Competitive
WEDVPAXW	0176	PA	ELK	Competitive
WFRKARXA	1691	AR	WASHINGTON	Competitive
WGNROKXD	1165	OK	WAGONER	Competitive
WGRMNCXA	0476	NC	SCOTLAND	Competitive
WGTNTXXA	1163	TX	COLLINGSWORTH	Non Competitive
WHCHIAOXO	1167	IA	KEOKUK	Non Competitive
WHDRTXXA	1163	TX	CARSON	Non Competitive
WHFCTXXA	1163	TX	COCHRAN	Competitive
WHLLKYXA	9691	KY	PULASKI	Non Competitive
WHLRTXXA	1163	TX	WHEELER	Non Competitive
WHPLGAXA	0357	GA	GREENE	Non Competitive
WHSPFLXA	0336	FL	HAMILTON	Non Competitive
WHTNMOXA	1885	MO	BARRY	Competitive
WHTYTXXA	1181	TX	HILL	Non Competitive
WLBGIAXO	1167	IA	IOWA	Non Competitive
WLBFRFLXA	0336	FL	SUWANNEE	Non Competitive
WLBREXNL	1568	NE	SALINE	Competitive
WLCMNCXA	0483	NC	DAVIDSON	Competitive
WLCXPAXW	0176	PA	ELK	Competitive

Effective: February 20, 2020

4001 Rodney Parham Rd.
Little Rock, AR 72212

7.14 COMPETITIVE VS NON COMPETITIVE OFFICE LISTING (CONT'D)

Wire Center	OCN	State	County	County Classification
WLDRTXXA	1181	TX	OLDHAM	Non Competitive
WLFRTXXA	1163	TX	LUBBOCK	Competitive - Grandfathered
WLKRIAXO	1167	IA	LINN	Competitive
WLMRKYXA	9690	KY	JESSAMINE	Competitive
WLMTARXA	1691	AR	ASHLEY	Non Competitive
WLSNTXXA	1163	TX	LYNN	Competitive
WLVLTXXA	2153	TX	CHAMBERS	Non Competitive
WMSNIAOXO	1178	IA	LUCAS	Competitive
WNRGAXA	4332	GA	BARROW	Competitive
WNFDIAOXO	1178	IA	HENRY	Competitive
WNGTNCXA	0476	NC	UNION	Competitive
WNNETXXA	2153	TX	CHAMBERS	Non Competitive
WNRRTXXA	1163	TX	HASKELL	Competitive
WNSPTXXA	1181	TX	BOSQUE	Non Competitive
WNTNMOXA	1885	MO	DAVIESS	Competitive
WNVLGAXA	0357	GA	CLARKE	Competitive
WOTNIAXP	1167	IA	DUBUQUE	Competitive
WOTNPAXW	0176	PA	ARMSTRONG	Non Competitive
WPLLIAXO	1178	IA	LOUISA	Competitive
WPPLMOXX	1885	MO	WAYNE	Non Competitive
WPWRNEXL	1568	NE	CASS	Non Competitive
WRDVOKXA	1965	OK	ATOKA	Non Competitive
WRMRPAXW	0176	PA	HUNTINGDON	Competitive
WRSPGAXA	4332	GA	MERIWETHER	Non Competitive
WSBGIAXO	1170	IA	GRUNDY	Non Competitive
WSFRPAXW	0176	PA	CRAWFORD	Competitive
WSPFPAXW	0176	PA	ERIE	Competitive
WSPNIAXP	1178	IA	LEE	Competitive
WSTRNEXL	1568	NE	SALINE	Competitive
WSTROKXA	2011	OK	LE FLORE	Non Competitive
WSVLMOXA	1885	MO	WAYNE	Non Competitive
WTRLTXXA	1163	TX	HOCKLEY	Competitive
WTSPARXA	1691	AR	SEARCY	Non Competitive
WTTWPAXW	0176	PA	NORTHUMBERLAND	Non Competitive
WTWDTXXA	2147	TX	SAN JACINTO	Non Competitive
WVRLNEXL	1568	NE	LANCASTER	Competitive
WVFDNYXA	0106	NY	HERKIMER	Competitive
WXHWNCXA	0476	NC	UNION	Competitive

Effective: February 20, 2020

4001 Rodney Parham Rd.
Little Rock, AR 72212

7.14 COMPETITIVE VS NON COMPETITIVE OFFICE LISTING (CONT'D)

Wire Center	OCN	State	County	County Classification
WYBGPAXW	0176	PA	GREENE	Non Competitive
WYMRNEXL	1568	NE	GAGE	Competitive
YNHRGAXA	0386	GA	TOWNS	Non Competitive
YORKNEXL	1568	NE	YORK	Competitive
YTVLGAXA	4425	GA	UPSON	Competitive
YUTNEXL	1568	NE	SAUNDERS	Competitive
ZMMNMNXA	1482	MN	SHERBURNE	Competitive
ZNTNKYXA	0402	KY	BULLITT	Competitive
ZVLATXXA	1181	TX	ANGELINA	Non Competitive

Effective: February 20, 2020

4001 Rodney Parham Rd.
Little Rock, AR 72212

8. RESERVED FOR FUTURE USE

Effective: December 1, 2017

4001 Rodney Parham Rd.
Little Rock, AR 72212

9. RESERVED FOR FUTURE USE

Effective: December 1, 2017

4001 Rodney Parham Rd.
Little Rock, AR 72212

10. RESERVED FOR FUTURE USE

Effective: December 1, 2017

4001 Rodney Parham Rd.
Little Rock, AR 72212

11. Special Facilities Routing of Access Services11.1 Description

The services provided under this guidebook are provided over such routes and facilities as the Telephone Company may elect. Special Facilities Routing is involved when, in order to comply with requirements specified by the customer, the Telephone Company provides Special Access Service in a manner which includes one or more of the conditions provided in 11.1.1 through 11.1.4 following.

Avoidance and Diversity are available on Special Access Services as set forth in 7.6 preceding.

In order to avoid the compromise of special routing information, the Telephone Company will provide the required routing information for each specially routed service to only the ordering customer. If requested by the customer, this information will be provided when service is installed and prior to any subsequent changes in routing.

The rates and charges for Special Facilities Routing of Access Services are developed on an individual case basis. Such rates and charges for Special Facilities Routing of Access Services are as set forth in 17.2.6 following and are in addition to all other rates and charges that may be applicable for services provided under other sections of this guidebook.

11.1.1 Diversity

Two or more circuits must be provided over not more than two different physical routes.

11.1.2 Avoidance

A circuit(s) must be provided on a route which avoids specified geographical locations.

11.1.3 Diversity and Avoidance Combined

A service must be provided in accordance with 11.1.1 and 11.1.2 preceding, combined.

Effective: December 1, 2017

4001 Rodney Parham Rd.
Little Rock, AR 72212

12. RESERVED FOR FUTURE USE

Effective: December 1, 2017

4001 Rodney Parham Rd.
Little Rock, AR 72212

13. Additional Engineering, Additional Labor and Miscellaneous Services

In this section, normally scheduled working hours are an employee's scheduled work period in any given calendar day (e.g., 8:00 a.m. to 5:00 p.m.) for the application of rates based on working hours. Basic time is that time during normally scheduled working hours on scheduled work days. Premium time is that time outside of normally scheduled working days.

A call out of a Telephone Company employee at a time not consecutive with the employee's scheduled work period is subject to a minimum charge of four hours. Work subject to premium time is always subject to a minimum charge of four hours.

A Miscellaneous Service Order charge as described in 5.4.2 preceding may be applicable to services ordered from this section.

13.1 Additional Engineering

Additional Engineering, including engineering reviews as set forth in 5.4.3 preceding, will be undertaken only after the Telephone Company has notified the customer that additional engineering charges apply as set forth in 17.2.2 following, and the customer agrees to such charges.

Additional Engineering will be provided by the Telephone Company at the request of the customer only when:

- (A) A customer requests additional technical information after the Telephone Company has already provided the technical information normally included on the Design Layout Report (DLR) as set forth in 7.1.6 preceding.
- (B) Additional engineering time is incurred by the Telephone Company to engineer a customer's request for a customized service as set forth in 7.1.2 preceding.
- (C) A customer requested Design Change requires the expenditure of additional engineering time. Such additional engineering time is incurred by the Telephone Company for the engineering review as set forth in 5.4.3(B) preceding. The charge for additional engineering time relating to the engineering review, which is undertaken to determine if a design change is indeed required, will apply whether or not the customer authorizes the Telephone Company to proceed with the Design Change. In this case the Design Change charge, as set forth in 17.2.1(C) following, does not apply unless the customer authorizes the Telephone Company to proceed with the Design Change.

Effective: December 1, 2017

4001 Rodney Parham Rd.
Little Rock, AR 72212

13. Additional Engineering, Additional Labor and Miscellaneous Services
(Cont'd)13.2 Additional Labor

Additional Labor is that labor requested by the customer on a given service and agreed to by the Telephone Company as set forth in 13.2.1 through 13.2.5 following. The Telephone Company will notify the customer that additional labor charges as set forth in 17.2.3 following will apply before any additional labor is undertaken. When provisioning or restoring Telecommunications Service Priority services, the Telephone Company will, when possible, notify the customer of the applicability of these Additional Labor charges.

13.2.1 Overtime Installation

Overtime installation is that Telephone Company installation effort outside of normally scheduled working hours.

13.2.2 Overtime Repair

Overtime repair is that Telephone Company effort performed outside of normally scheduled working hours.

13.2.3 Stand by

Stand by includes all time in excess of one-half (1/2) hour during which Telephone Company personnel stand by to make installation acceptance tests or cooperative tests with a customer to verify facility repair on a given service.

13.2.4 Testing and Maintenance with Other Telephone Companies

Additional testing, maintenance or repair of facilities which connect other telephone companies is that which is in addition to the normal effort required to test, maintain or repair facilities provided solely by the Telephone Company.

13.2.5 Other Labor

Other labor is that additional labor not included in 13.2.1 through 13.2.4 preceding and labor incurred to accommodate a specific customer request that involves only labor which is not covered by any other section of this tariff.

Effective: December 1, 2017

4001 Rodney Parham Rd.
Little Rock, AR 72212

13. Additional Engineering, Additional Labor and Miscellaneous Services
(Cont'd)13.3 Miscellaneous Services13.3.1 Testing Services

Testing Services offered under this section of the tariff are optional and subject to rates and charges as set forth in 17.2.4(A) following. A call out of a Telephone Company employee at a time not consecutive with the employee's scheduled work period is subject to a minimum charge of four hours. Other testing services, as described in 7.1.7 preceding, are provided by the Telephone Company in association with Access Services and are furnished at no additional charge.

Testing services are normally provided by Telephone Company personnel at Telephone Company locations. However, provisions are made in (B)(2) following for a customer to request Telephone Company personnel to perform testing services at the customer designated premises.

The offering of Testing Services under this section of the tariff is made subject to the availability of the necessary qualified personnel and test equipment at the various test locations mentioned in (A) and (B) following.

(B) Special Access Service

The Telephone Company will provide assistance in performing specific tests requested by the customer.

(1) Additional Cooperative Acceptance Testing

When a customer provides a technician at its premises or at an end user's premises, with suitable test equipment to perform the requested tests, the Telephone Company will provide a technician at its office for the purpose of conducting Additional Cooperative Acceptance Testing on Voice Grade Services. At the customer's request, the Telephone Company will provide a technician at the customer's premises or at the end user premises. These tests may, for example, consist of the following:

- Attenuation Distortion
(i.e., frequency response)
- Intermodulation Distortion
(i.e., harmonic distortion)
- Phase Jitter
- Impulse Noise
- Envelope Delay Distortion
- Echo Control
- Frequency Shift

Effective: December 1, 2017

4001 Rodney Parham Rd.
Little Rock, AR 72212

13. Additional Engineering, Additional Labor and Miscellaneous Services (Cont'd)13.3 Miscellaneous Services (Cont'd)13.3.1 Testing Services (Cont'd)(B) Special Access Service (Cont'd)(2) Additional Manual Testing

The Telephone Company will provide a technician at its premises, and the Telephone Company or customer will provide a technician at the customer's designated premises with suitable test equipment to perform the requested tests.

(3) Obligation of the Customer

When the customer subscribes to Testing Service as set forth in this section, the customer shall make the facilities to be tested available to the Telephone Company at time mutually agreed upon.

13.3.2 Maintenance of Service

(A) When a customer reports a trouble to the Telephone Company for clearance and no trouble is found in the Telephone Company's facilities, the customer shall be responsible for payment of a Maintenance of Service charge as set forth in 17.2.4(A) following for the period of time from when Telephone Company personnel are dispatched, at the request of the customer, to the customer designated premises to when the work is completed. Failure of Telephone Company personnel to find trouble in Telephone Company facilities will result in no charge if the trouble is actually in those facilities, but not discovered at the time.

(B) The customer shall be responsible for payment of a Maintenance of Service charge when the Telephone Company dispatches personnel to the customer designated premises, and the trouble is in equipment or communications systems provided by other than the Telephone Company or in detariffed CPE provided by the Telephone Company.

In either (A) or (B) preceding, no credit allowance will be applicable for the interruption involved if the Maintenance of Service Charge applies.

Effective: December 1, 2017

4001 Rodney Parham Rd.
Little Rock, AR 72212

13. Additional Engineering, Additional Labor and Miscellaneous Services (Cont'd)13.3 Miscellaneous Services (Cont'd)13.3.3 Telecommunications Service Priority - TSP

- (A) Priority installation and/or restoration of National Security Emergency Preparedness (NSEP) telecommunications services shall be provided in accordance with Part 64.401, Appendix A, of the Federal Communications Commission's (FCC's) Rules and Regulations.

In addition, TSP System service shall be provided in accordance with the guidelines set forth in "Telecommunications Service Priority (TSP) System for National Security Emergency Preparedness (NSEP) Service Vendor Handbook" (NCSH 3-1-2), and "Telecommunications Service Priority System for National Security Emergency Preparedness Service User Manual" (NCSM 3-1-1).

The TSP System is a service, developed to meet the requirements of the Federal Government, as specified in the Service Vendor's Handbook and Service User's Manual which provides the regulatory, administrative and operational framework for the priority installation and/or restoration of NSEP telecommunications services. These include both Switched and Special Access Services. The TSP System applies only to NSEP telecommunications services, and requires and authorizes priority action by the Telephone Company providing such services.

- (B) A Telecommunications Service Priority charge applies as set forth in 17.2.4(B) when a request to provide or change a Telecommunications Service Priority is received subsequent to the issuance of an Access Order to install the service.

Additionally, a Miscellaneous Service Order Charge as set forth in 17.2.1(D) will apply to Telecommunications Service Priority requests that are ordered subsequent to the initial installation of the associated access service.

A Telecommunications Service Priority charge does not apply when a Telecommunications Service Priority is discontinued or when ordered coincident with an Access Order to install or change service.

In addition, Additional Labor rates as set forth in 17.2.3 may be applicable when provisioning or restoring Switched or Special Access Services with Telecommunications Service Priority.

When the customer requests an audit or a reconciliation of the Telephone Company's Telecommunications Service Priority records, a Miscellaneous Service Order Charge as set forth in 17.2.1 (D) and Additional Labor rates as set forth in 17.2.3 are applicable.

Effective: December 1, 2017

4001 Rodney Parham Rd.
Little Rock, AR 72212

13. Additional Engineering, Additional Labor and Miscellaneous Services (Cont'd)13.3 Miscellaneous Services (Cont'd)13.3.4 Miscellaneous Equipment(A) Controller Arrangement

This arrangement enables the customer to control up to 48 transfer functions at a Telephone Company central office via a remote keyboard terminal capable of either 300 or 1200 bps operation. Included as part of the Controller Arrangement is a dial-up data station located at the Telephone Company Central Office to provide access to the Controller Arrangement. This dial-up data station consists of a 212A DATAPHONE data set and an appropriate Telephone Company provided channel.

The Controller Arrangement must be located in the same Telephone Company central office as the transfer functions which it controls.

Charges for the Controller Arrangement are set forth in 17.2.4(C) following.

13.3.5 Provision of Access Service Billing Information

(A) The customer will have the option to receive its cyclic access bill in one of the four formats shown below. Data format conforms to the Bellcore Billing Output Specification (BOS) standards as defined by the Technical Review Group (TRG).

(1) Electronic File Transfer - CABS BOS bill data
tape format

(2) Paper - printed bill format

(B) At the option of the customer and for an additional charge, additional copies of the customer's cyclic bill may be provided.

Effective: December 1, 2017

4001 Rodney Parham Rd.
Little Rock, AR 72212

14. RESERVED FOR FUTURE USE

Effective: December 1, 2017

4001 Rodney Parham Rd.
Little Rock, AR 72212

15. Access Service Interfaces and Transmission Specifications

Describes Special Access Service Network Channel (NC) codes and Network Channel Interface (NCI) codes.

15.1 Special Access Service

This section explains and lists the codes that the customer must specify when ordering Special Access Service. These codes provide a standardized means to relate the services being ordered to Special Access Service offerings contained in Section 7. preceding.

When ordering, the type of Special Access Service is described by two code sets, the Network Channel (NC) code and the Network Channel Interface (NCI) codes.

The Network Channel (NC) code consists of two elements. Element one is a Channel Service Code (character positions 1 and 2) that describes the channel service type in an abbreviated form. Element two is an Optional Feature Code (character positions 3 and 4) that identifies option codes available for each channel service code, such as C-conditioning or Improved Return Loss.

The Network Channel Interface (NCI) is used to identify interface specifications associated with a particular channel. This code describes the total wires, protocol, impedance, protocol options and transmission level point(s) reflecting physical and electrical characteristics between the Telephone Company and the customer.

On the following 3 pages are examples which explain the specific characters of the codes and which reference matrices and charts used in developing the codes. Included in the matrices are Service Designator (SD) codes which are used to identify variations of service within service types (e.g., TGl = Telegraph). The SD and NC codes are displayed as components of the matrices designated as Technical Specifications packages in (A) through (G) following. Through the use of these matrices, SD codes may be converted to NC codes for service ordering purposes.

A chart is also provided in 15.1.2(A) following which contains information necessary to develop NCI codes.

Comprehensive lists of allowed Network Channel (NC) and Network Channel Interface (NCI) codes are contained in Special Report SR-ISD-000307. However, not all services contained in this Special Report may be offered by the Telephone Company at this time.

Lastly, 15.1.2(C) following provides a list of compatible Network Channel Interfaces inasmuch as the Network Channel Interfaces associated with a given service need not always be the same, but all must be compatible.

Effective: December 1, 2017

4001 Rodney Parham Rd.
Little Rock, AR 72212

15. Access Service Interfaces and Transmission Specifications(Cont'd)**15.1 Special Access Service(Cont'd)**

Example No. 1: If the customer wishes to order a 4-wire voice grade circuit with 600 Ohms impedance, capable of data transmission, and with improved return loss, the customer might specify the following:

<u>NC</u>	<u>NCI</u>	<u>SECNCI</u>
LG-R	04DB2	04DA2-S

NC Code:

LG = Voice Grade Channel Service, VG6
-R = Improved Return Loss

NCI Code:

04 = Number of physical wires at CDP
DB = Data stream in VF frequency band at the customer designated main terminal location
2 = 600 Ohms impedance

SECNCI (Secondary NCI Code):

04 = Number of physical wires at CDP
DA = Data stream in VG frequency at the customer designated secondary terminal location
2 = 600 Ohms impedance
S = Sealing current option for 4-wire transmission

In the above example the NCI (Network Channel Interface) code is the interface requested at the customer's POT (Point of Termination) and the SECNCI (Secondary Network Channel Interface) code represents the interface at the end office serving the End User.

Example No. 2: If the customer wishes to order a FX circuit to a station, with 600 Ohms impedance, loop start signaling, which is 4-wire at the CDP and 2-wire at the end-user, the customer might specify:

<u>NC</u>	<u>NCI</u>	<u>SECNCI</u>
LC--	04LO2	02LS2

NC Code:

LC = Voice Grade Channel Service, VG2
-- = No Optional Features

NCI Code:

04 = Number of physical wires at CDP
LO = Loop start, loop signaling - open end
2 = 600 Ohms impedance

SECNCI (Secondary NCI Code):

02 = Number of physical wires at CDP
LS = Loop start signaling - closed end
2 = 600 Ohms impedance

Effective: December 1, 2017

4001 Rodney Parham Rd.
Little Rock, AR 72212

15. Access Service Interfaces and Transmission Specifications (Cont'd)15.1 Special Access Service (Cont'd)

Example No. 3: If the customer wishes to order a 1.544 Mbps Hi-cap facility with no channel options such as CO multiplexing, the customer might specify the following:

<u>NC</u>	<u>NCI</u>	<u>SECNCI</u>
HC--	04DS9-15	04DS9-15

NC Code:

HC = High Capacity Channel Service, HC1
-- = No Optional Features

NCI, SECNCI Code:

04 = Number of physical wires at CDP
DS = Digital hierarchy interface
9 = 100 Ohms impedance
15 = 1.544 Mbps (DS1) format

The preceding three examples use information contained in Special Report SR-ISD-000307.

Effective: December 1, 2017

4001 Rodney Parham Rd.
Little Rock, AR 72212

15. Access Service Interfaces and Transmission Specifications (Cont'd)15.1.1 Network Channel (NC) Codes

In order to determine the NC code appropriate for the service to be ordered, the type of Special Access Service the customer wishes must be identified. This identification is accomplished by a Service Designator (SD) code. The broad categories of Service Designator codes (e.g., VG, MT, TG, etc.) are set forth in Section 7. preceding. Variations within service type (e.g., VG1, MTC, TG2, etc.) are described in the various Technical Publications cited in (A) through (G) following.

Having determined the specific service type to be ordered and its SD code, and having used the appropriate Technical Publication, the customer should match the SD code to the NC code using the following matrices. Once the NC code has been determined the Network Channel Interface (NCI) code may be developed using the information set forth in 15.1.2 following and the guidelines concerning specific parameters available for each service type as set forth in the specified Technical Publication.

(A) Technical Specifications Packages Metallic Service

	<u>Package</u>			
	<u>MTC*</u>	<u>MT1</u>	<u>MT2</u>	<u>MT3</u>
SD Code				
NC Code	<u>MQ</u>	<u>NT</u>	<u>NU</u>	<u>NV</u>
<u>Parameter</u>				
DC Resistance				
Between Conductors	X	X	X	
Loop Resistance	X			X
Shunt Capacitance	X			X
<u>Optional Features and Functions</u>				
Three Premises				
Bridging	X	X		X
Series Bridging	X		X	

The technical specifications are described in Technical Reference TR-NPL-000336.

* All parameters are available within ranges selected by the customer where technically feasible.

15. Access Service Interfaces and Transmission Specifications (Cont'd)15.1 Special Access Service (Cont'd)15.1.1 Network Channel (NC) Codes (Cont'd)(B) Technical Specifications Packages Telegraph Grade Service

SD Code NC Code	Package		
	<u>TGC*</u>	<u>TG1</u>	<u>TG2</u>
	<u>NQ</u>	<u>NW</u>	<u>NY</u>

Parameter

Telegraph Distortion	X	X	X
----------------------	---	---	---

Optional Features
and Functions

Telegraph Bridging	X	X	X
--------------------	---	---	---

The technical specifications are described in Technical Reference TR-NPL-000336.

* All parameters are available within ranges selected by the customer where technically feasible.

15. Access Service Interfaces and Transmission Specifications (Cont'd)

15.1 Special Access Service (Cont'd)

15.1.1 Network Channel (NC) Codes (Cont'd)

(C) Technical Specifications Packages Voice Grade Service

SD Code	Package VG-													
	<u>C*</u>	<u>1</u>	<u>2</u>	<u>3</u>	<u>4</u>	<u>5</u>	<u>6</u>	<u>7</u>	<u>8</u>	<u>9</u>	<u>10</u>	<u>11</u>	<u>12</u>	<u>W</u>
NC Code	<u>LQ</u>	<u>LB</u>	<u>LC</u>	<u>LD</u>	<u>LE</u>	<u>LF</u>	<u>LG</u>	<u>LH</u>	<u>LJ</u>	<u>LK</u>	<u>LN</u>	<u>LP</u>	<u>LR</u>	<u>SE</u>
<u>Parameter</u>														
Attenuation														
Distortion	X	X	X	X	X	X	X	X	X	X	X	X	X	X
C-Message Noise	X	X	X	X	X	X	X	X	X	X	X	X	X	X
Echo Control	X	X	X	X		X		X	X			X	X	X
Envelope Delay														
Distortion	X						X	X	X	X	X	X	X	X
Frequency Shift	X						X	X	X	X	X	X	X	X
Impulse Noise	X					X	X	X	X	X	X	X	X	X
Intermodulation														
Distortion	X						X	X	X	X	X	X		X
Loss Deviation	X	X	X	X	X	X	X	X	X	X	X	X	X	X
Phase Hits, Gain Hits, and Dropouts														
Phase Hits, Gain Hits, and Dropouts	X													
Phase Jitter	X						X	X	X	X	X	X		X
Signal-to-C														
Message Noise						X								
Signal-to-C														
Notch Noise	X					X	X	X	X	X	X	X	X	X

The technical specifications for these parameters (except for dropouts, phase hits, and gain hits) are described in Technical References TR-NPL-000334 and TR-NPL-000335. The technical specifications for dropouts, phase hits, and gain hits are described in Technical Reference PUB 41004, Table 4.

* The desired parameters are selected by the customer from the list of available parameters.

15. Access Service Interfaces and Transmission Specifications (Cont'd)

15.1 Special Access Service (Cont'd)

15.1.1 Network Channel (NC) Codes (Cont'd)

(C) Technical Specifications Packages Voice Grade Service
(Cont'd)

SD Code NC Code	Package VG-													W SE
	C*	1	2	3	4	5	6	7	8	9	10	11	12	
	<u>LQ</u>	<u>LB</u>	<u>LC</u>	<u>LD</u>	<u>LE</u>	<u>LF</u>	<u>LG</u>	<u>LH</u>	<u>LJ</u>	<u>LK</u>	<u>LN</u>	<u>LP</u>	<u>LR</u>	
<u>Optional Features and Functions</u>														
Central Office Bridging Capability	X	X			X	X			X	X	X			
Central Office Multiplexing	X					X								
Conditioning:														
. C-Type	X				X	X	X	X	X	X				
. Improved Attenuation Distortion	X				X	X	X	X	X	X	X			
. Improved Envelope Delay Distortion	X				X	X	X	X	X	X				
. Sealing Current	X					X								
. Data Capability	X					X	X				X			
. Telephoto Capability	X												X	
Customer Specified Premises Receive Level	X			X	X		X	X	X					
Improved Return Loss for Effective Four-Wire Transmission	X	X	X	X	X	X	X	X	X	X	X	X	X	X
For Effective Two-Wire Transmission	X	X	X				X							
Improved Two-Wire Voice Transmission														X
PPSN Interface Arrangement	X								X					
Selective Signaling Arrangement	X	X			X	X			X	X	X			
Signaling Capability	X	X	X	X	X	X	X	X	X					
Transfer Arrangement	X	X	X	X	X	X	X	X	X	X		X	X	X
Improved Termination	X	X	X	X	X	X	X	X	X	X	X	X	X	X

Effective: December 1, 2017

4001 Rodney Parham Rd.
Little Rock, AR 72212

15. Access Service Interfaces and Transmission Specifications (Cont'd)15.1 Special Access Service (Cont'd)15.1.1 Network Channel (NC) Codes (Cont'd)(D) Technical Specifications Packages Program Audio Service

SD Code NC Code	Package				
	<u>APC*</u>	<u>AP1</u>	<u>AP2</u>	<u>AP3</u>	<u>AP4</u>
	<u>PQ</u>	<u>PE</u>	<u>PF</u>	<u>PJ</u>	<u>PK</u>
<u>Parameter</u>					
Actual Measured Loss	X	X	X	X	X
Amplitude Tracking	X				
Crosstalk	X	X	X	X	X
Distortion Tracking	X				
Gain/Frequency Distortion	X	X	X	X	X
Group Delay	X				
Noise	X	X	X	X	X
Phrase Tracking	X				
Short-Term Gain Stability	X				
Short-Term Loss	X				
Total Distortion	X	X	X	X	X
<u>Optional Features and Functions</u>					
Central Office Bridging Capability	X	X	X	X	X
Gain Conditioning	X	X	X	X	X
Stereo	X				X

The technical specifications are described in Technical Reference PUB 62503 and associated Addendum.

* The desired parameters are selected by the customer from the list of available parameters.

15. Access Service Interfaces and Transmission Specifications (Cont'd)15.1 Special Access Service (Cont'd)15.1.1 Network Channel (NC) Codes (Cont'd)(E) Technical Specifications Packages Video Service

	SD Code NC Code	Package		
		TVC*	TV1	TV2
		TQ	TV	TW
<u>Video Parameters</u>				
Insertion Gain		X	X	X
Field-Time Distortion		X	X	X
Line-Time Distortion		X	X	X
Short-Time Distortion		X	X	X
Chrominance-Luminance Gain Inequality		X	X	X
Chrominance-Luminance Delay Inequality		X	X	X
Amplitude/Frequency Characteristic		X	X	X
Luminance Non-Linear Distortion		X	X	X
Chrominance Non-Linear Gain Distortion		X	X	X
Chrominance Non-Linear Phase Distortion		X	X	X
Transient Synchronizing Signal Non-Linearty		X	X	X
Dynamic Gain Distortion				
- Picture Signal		X	X	X
- Synchronizing Signal		X	X	X
Differential Gain		X	X	X
Differential Phase		X	X	X
Chrominance-Luminance Intermodulation		X	X	X

* The desired parameters are selected by the customer from the list of available parameters.

Effective: December 1, 2017

4001 Rodney Parham Rd.
Little Rock, AR 72212

15. Access Service Interfaces and Transmission Specifications (Cont'd)

15.1 Special Access Service (Cont'd)

15.1.1 Network Channel (NC) Codes (Cont'd)

(E) Technical Specifications Packages Video Service
(Cont'd)

	SD Code NC Code	TVC* <u>TQ</u>	Package	
			<u>TV1</u> TV	<u>TV2</u> TW
<u>Audio Channel Parameters</u>				
<u>Associated with Video Service</u>				
Insertion Gain		X	X	X
Amplitude/Frequency Characteristic		X	X	X
Total Harmonic Distortion & Noise		X	X	X
Maximum Steady-State Test Levels		X	X	X
Gain Differential Between Channels		X	X	
Phase Differential Between Channels		X	X	
Crosstalk		X	X	X
Audio-To-Video Time Differential		X	X	X

The technical specifications are described in Technical Reference TR-NPL-000338.

* The desired parameters are selected by the customer from the list of available parameters.

15. Access Service Interfaces and Transmission Specifications (Cont'd)

15.1 Special Access Service (Cont'd)

15.1.1 Network Channel (NC) Codes (Cont'd)

(F) Technical Specifications Packages Digital Data Service

	SD Code	Package					
		<u>D1</u>	<u>D2</u>	<u>D3</u>	<u>D4</u>	<u>D5</u>	<u>D6</u>
	NC Code	<u>XA</u>	<u>XB</u>	<u>XG</u>	<u>XH</u>	<u>XE</u>	<u>YN</u>
<u>Parameter</u>							
Error-Free Seconds		X	X	X	X	X	X
<u>Optional Features and Functions</u>							
Central Office							
Bridging Capability		X	X	X	X	X	X
PPSN Interface Transfer							
Arrangement		X	X	X	X	X	X
Transfer Arrangement		X	X	X	X	X	X

The Telephone Company will provide a channel capable of meeting a monthly average performance equal to or greater than 99.875% error-free seconds (if provided through a Digital Data hub) while the channel is in service, if it is measured through a CSU equivalent which is designed, manufactured, and maintained to conform with the specifications contained in Technical Reference PUB 62310.

Voltages which are compatible with Digital Data Service are delineated in Technical Reference PUB 62507.

15. Access Service Interfaces and Transmission Specifications (Cont'd)

15.1 Special Access Service (Cont'd)

15.1.1 Network Channel (NC) Codes (Cont'd)

(G) Technical Specifications Packages High Capacity Service

<u>Package</u>			SD Code	<u>HC0</u>	<u>HC1</u>	<u>HC1C</u>
<u>HC2</u>	<u>HC3</u>	<u>HC4</u>	NC Code	<u>HS</u>	<u>HC</u>	<u>HD</u>
<u>HE</u>	<u>HF</u>	<u>HG</u>				
<u>Parameters</u>						
Error-Free Seconds			X			
<u>Optional Features and Functions</u>						
Automatic Loop Transfer			X			
Central Office Multiplexing:						
DS4 to DS1						X
DS3 to DS1					X	
DS2 to DS1				X		
DS1C to DS1				X		
DS1 to Voice			X			
DS1 to DS0			X			
DS0 to Subrate*			X			
Transfer Arrangement			X			
Clear Channel Capability			X			

A channel with technical specifications package HC1 will be capable of an error-free second performance of 98.75% over a continuous 24 hour period as measured at the 1.544 Mbps rate through a CSU equivalent which is designed, manufactured, and maintained to conform with the specifications contained in Technical Reference PUB 62411.

Effective: December 1, 2017

4001 Rodney Parham Rd.
Little Rock, AR 72212

15. Access Service Interfaces and Transmission Specifications (Cont'd)15.1 Special Access Service (Cont'd)15.1.2 Network Channel Interface (NCI) Codes

The electrical interface with the Telephone Company for Special Access Services, is defined by an interface code. There are interface codes for both the customer designated premises and the point of termination. Three examples of NCI codes are found in 15.1 preceding.

(A) Parameter Codes and OptionsParameter

<u>Code</u>	<u>Option</u>	<u>Definition</u>
AB	-	accepts 20 Hz ringing signal at customer's point of termination
AC	-	accepts 20 Hz ringing signal at customer's end user's point of termination
AH	-	analog high capacity interface
	B	60 kHz to 108 kHz (12 channels)
	C	312 kHz to 552 kHz (60 channels)
	D	564 kHz to 3084 kHz (600 channels)
CT	-	Centrex Tie Trunk Termination
CS	-	digital hierarchy interface at Digital Cross Connect System (DCS)
	15	1.544 Mbps (DS1) ANSI Extended Superframe (ESF) Format and B8ZS Clear Channel Capability
	15	1.544 Mbps (DS1) Superframe (SF) format
	15B	1.544 Mbps (DS1) Superframe (SF) format and B8ZS Clear Channel Capability
	15K	1.544 Mbps (DS1) Extended Superframe (ESF)
DA	-	data stream in VF frequency band at customer's end user's point of termination
DB	-	data stream in VF frequency band at customer's point of termination
	10	VF for TG1 and TG2
	43	VF for 43 Telegraph Carrier type signals, TG1 and TG2
DC	-	direct current or voltage
	1	monitoring interface with series RC combination (McCulloch format)
	2	Telephone Company energized alarm channel
	3	Metallic facilities (DC continuity) for direct current/low frequency control signals or slow speed data (30 baud)
DD	-	DATAPHONE Select-A-Station (and TABS) interface at customer's point of termination
DE	-	DATAPHONE Select-A-Station (and TABS) interface at the customer's end user's point of termination

Effective: December 1, 2017

4001 Rodney Parham Rd.
Little Rock, AR 72212

15. Access Service Interfaces and Transmission Specifications (Cont'd)15.1 Special Access Service (Cont'd)15.1.2 Network Channel Interface (NCI) Codes (Cont'd)(A) Parameter Codes and Options (Cont'd)Parameter (Cont'd)

<u>Code</u>	<u>Option</u>	<u>Definition</u>
DS	-	digital hierarchy interface
-	15	1.544 Mbps (DS1) format per PUB 41451 plus D4
-	15E	8-bit PCM encoded in one 64 kbps of the DS1 signal
-	15F	8-bit PCM encoded in two 64 kbps of the DS1 signal
-	15G	8-bit PCM encoded in three 64 kbps of the DS1 signal
-	15H	14/11-bit PCM encoded in six 64 kbps of the S1 signal
-	15J	1.544 Mbps format per PUB 41451
	-	15K 1.544 Mbps format per PUB 41451 plus extended framing format
-	15L	1.544 Mbps (DS1) with SF signaling
-	27	274.176 Mbps (DS4)
-	27L	274.176 Mbps (DS4) with SF signaling
-	31	3.152 Mbps (DS1C)
-	31L	3.152 Mbps (DS1C) with SF signaling
-	44	44.736 Mbps (DS3)
-	44L	44.736 Mbps (DS3) with SF signaling
-	63	6.312 Mbps (DS2)
-	63L	6.312 Mbps (DS2) with SF signaling

 Effective: December 1, 2017

 4001 Rodney Parham Rd.
 Little Rock, AR 72212

15. Access Service Interfaces and Transmission Specifications (Cont'd)15.1 Special Access Service (Cont'd)15.1.2 Network Channel Interface (NCI) Codes (Cont'd)(A) Parameter Codes and Options (Cont'd)Parameter (Cont'd)

DU -		digital access interface
-	19	19.2 kbps
-	24	2.4 kbps
-	48	4.8 kbps
-	56	56.0 kbps
-	96	9.6 kbps
-	64	64.0 kbps
-	A	1.544 Mbps format per PUB 41451
-	B	1.544 Mbps format per PUB 41451 plus D4
-	C	1.544 Mbps format per PUB 41451 plus extended farming format
-	1KN	1.544 Mbps ANSI Extended Superframe (ESF) Format without line power
-	1SN	1.544 Mbps ANSI Extended Superframe (ESF) Format with B8ZS CCC and without line power
-	AN	1.544 Mbps free-framing format w/o line power (only avail. to U.S. Govt. agencies)
-	BN	1.544 Mbps Superframe (SF) Format w/o line power
-	DN	1.544 Mbps Superframe (SF) Format with B8ZS Clear Channel Capabiltiy without line power
DX -		duplex signaling interface at customer's point of termination
DY -		duplex signaling interface at customer's end user's point of termination

 Effective: December 1, 2017

 4001 Rodney Parham Rd.
 Little Rock, AR 72212

15. Access Service Interfaces and Transmission Specifications (Cont'd)15.1 Special Access Service (Cont'd)15.1.2 Network Channel Interface (NCI) Codes (Cont'd)(A) Parameter Codes and Options (Cont'd)Parameter (Cont'd)

<u>Code</u>	<u>Option</u>	<u>Definition</u>
EA -	E	Type I E&M Lead Signaling. Customer at POT or customer's end user at POT originates on E Lead.
EA -	M	Type I E&M Lead Signaling. Customer at POT or customer's end user at POT originates on M Lead.
EB -	E	Type II E&M Lead Signaling. Customer at POT or customer's end user at POT originates on E Lead.
EB -	M	Type II E&M Lead Signaling. Customer at POT or customer's end user at POT originates on M Lead.
EC -		Type III E&M signaling at customer POT
EX -	A	tandem channel unit signaling for loop start or ground start and customer supplies open end (dial tone, etc.) functions.
EX -	B	tandem channel unit signaling for loop start or ground start and customer supplies closed end (dial pulsing, etc.) functions.
GO -		ground start loop signaling - open end function by customer or customer's end user
GS -		ground start loop signaling - closed end function by customer or customer's end user
IA -		E.I.A. (25 pin RS-232)
LA -		end user loop start loop signaling - Type A OPS registered port open end
LB -		end user loop start loop signaling - Type B OPS registered port open end
LC -		end user loop start loop signaling - Type C OPS registered port open end
LO -		loop start loop signaling - open end function by customer or customer's end user
LR -		20 Hz automatic ringdown interface at customer with Telephone Company provided PLAR
LS -		loop start loop signaling - closed end function by customer or customer's end user
NO -		no signaling interface, transmission only

Effective: December 1, 2017

4001 Rodney Parham Rd.
Little Rock, AR 72212

15. Access Service Interfaces and Transmission Specifications (Cont'd)15.1 Special Access Service (Cont'd)15.1.2 Network Channel Interface (NCI) Codes (Cont'd)(A) Parameter Codes and Options (Cont'd)Parameter (Cont'd)

<u>Code</u>	<u>Option</u>	<u>Definition</u>
PG	-	program transmission - no dc signaling
-	1	nominal frequency from 50 to 15000 Hz
-	3	nominal frequency from 200 to 3500 Hz
-	5	nominal frequency from 100 to 5000 Hz
-	8	nominal frequency from 50 to 8000 Hz
PR	-	protective relaying*
RV	-	reverse battery signaling, one way operation, originate by customer
-	T	reverse battery signaling, one way operation, terminate unction by customer or customer's end user
SF	-	single frequency signaling with VF band at either customer POT or customer's end user POT
TF	-	telephotograph interface
TT	-	telegraph/teletypewriter interface at either customer POT or customer's end user POT
-	2	20.0 milliamperes
-	3	3.0 milliamperes
-	6	62.5 milliamperes
TV	-	television interface
-	1	combined (diplexed) video and one audio signal
-	2	combined (diplexed) video and two audio signals
-	5	video plus one (or two) audio 5 kHz signal(s) or one (or two) two wire
-	15	video plus one (or two) audio 15 kHz signal(s)

* Available only for the transmission of audio tone protective relaying signals used in the protection of electric power systems during fault conditions.

15. Access Service Interfaces and Transmission Specifications (Cont'd)15.1 Special Access Service (Cont'd)15.1.2 Network Channel Interface (NCI) Codes (Cont'd)(B) Impedance

The nominal reference impedance with which the channel will be terminated for the purpose of evaluating transmission performance:

<u>Value (ohms)</u>	<u>Code(s)</u>
110	0
150	1
600	2
900	3+
135	5
75	6
124	7
Variable	8
100	9

- + For those interface codes with a 4-wire transmission path at the customer designated POT, rather than a standard 900 ohm impedance the code (3) denotes a customer provided transmission equipment termination. Such terminations were provided to customers in accordance with the F.C.C. Docket No. 20099 Settlement Agreement.

Effective: December 1, 2017

4001 Rodney Parham Rd.
Little Rock, AR 72212

15. Access Service Interfaces and Transmission Specifications (Cont'd)15.1 Special Access Service (Cont'd)15.1.2 Network Channel Interface (NCI) Codes (Cont'd)(C) Compatible Network Channel Interfaces

The following tables show the Network Channel Interface codes (NCIs) which are compatible:

(1) MetallicCompatible CIs

2DC8-1	2DC8-2
2DC8-3	2DC8-3
4DS8-	2DC8-1
4DS8-	2DC8-2

(2) Telegraph GradeCompatible CIs

2DB2-10	10IA8 2TT2-2 4TT2-2
2DB2-43*	10IA8 2TT2-2 2TT2-6 4TT2-2
2TT2-2	2TT2-2
2TT2-3	2TT2-2 4TT2-2
2TT2-6	2TT2-6 4TT2-6

Compatible CIs

4DB2-10	10IA8 2TT2-2 4TT2-2
4DB2-43*	10IA8 2TT2-6 4TT2-2
4DS8-	10IA8 2TT2-2 2TT2-6 4TT2-2 4TT2-6
4TT2-2	4TT2-2
4TT2-6	2TT2-6

* Supplemental Channel Assignment information required.

Effective: December 1, 2017

4001 Rodney Parham Rd.
Little Rock, AR 72212

15. Access Service Interfaces and Transmission Specifications (Cont'd)15.1 Special Access Service (Cont'd)15.1.2 Network Channel Interface (NCI) Codes (Cont'd)(C) Compatible Network Channel Interfaces (Cont'd)(3) Voice Grade

<u>Compatible CIs</u>		<u>Compatible CIs</u>		<u>Compatible CIs</u>	
2AB2	2AC2	2DB2	2DA2	2LR2	2LR2
2AB3	2AC2	2DB3	2DA2	2LR3	2LR2
2CT3	2DY2	2DX3	2LA2	2LS	2GS
	4DS8		2LB2		2LS
	4DX2		2LC2		4GS
	4DX3		2LO3		4LS
	4DY2		2LS2		
	4EA2-E		2LS3	2LS2	2LA2
	4EA2-M				2LB2
	4SF2	2GO2	2GS2		2LC2
	4SF3		2GS3		
	6DX2			2LS3	2LA2
	6DY2	2GO3	2GS2		2LB2
	6DY3		2GS3		2LC2
	6EA2-E				
	6EA2-M	2GS	2GS	2NO2	2DA2
	6EB2-E		2LS		2NO2
	6EB2-M		4GS		
	6EB3-E		4LS	2NO3	2NO2
	8EB2-E				2PR2
	8EB2-M	2L02	2LS2		
	8EC2		2LS3	2TF3	2TF2
	9DY2				
	9DY3	2L03	2LS2		
	9EA2		2LS3		
	9EA3				

Effective: December 1, 2017

4001 Rodney Parham Rd.
Little Rock, AR 72212

15. Access Service Interfaces and Transmission Specifications (Cont'd)15.1 Special Access Service (Cont'd)15.1.2 Network Channel Interface (NCI) Codes (Cont'd)(C) Compatible Network Channel Interfaces (Cont'd)(3) Voice Grade (Cont'd)

<u>Compatible CIs</u>		<u>Compatible CIs</u>		<u>Compatible CIs</u>	
4DX2	2DY2	4DX2	8EB2-E	4DX3	6DY2
	2LA2		8EB2-M		6DY3
	2LB2		9DY2		6EA2-E
	2LC2		9DY3		6EA2-M
	2LO3		9EA2		6EB2-E
	2LS2		9EA3		6EB2-M
	2LS3				6LS2
	2RV2-T	4DX3	2DY2		8EB2-E
	4DX2		2LA2		8EB2-M
	4DY2		2LB2		9DY2
	4EA2-E		2LC2		9DY3
	4EA2-M		2LO3		9EA2
	4LS2		2LS2		9EA3
	4RV2-T		2LS3		
	4SF2		2RV2-T	4DY2	2DY2
	4SF3		4DX2		4DY2
	6DY2		4DX3		
	6DY3		4DY2		
	6EA2-E		4EA2-E		
	6EA2-M		4EA2-M		
	6EB2-E		4LS2		
	6EB2-M		4RV2-T		
	6LS2		4SF2		
			4SF3		

Effective: December 1, 2017

4001 Rodney Parham Rd.
Little Rock, AR 72212

15. Access Service Interfaces and Transmission Specifications (Cont'd)15.1 Special Access Service (Cont'd)15.1.2 Network Channel Interface (NCI) Codes (Cont'd)(C) Compatible Network Channel Interfaces (Cont'd)(3) Voice Grade (Cont'd)

<u>Compatible CIs</u>		<u>Compatible CIs</u>		<u>Compatible CIs</u>	
4EA2-E	2DY2	4EA3-E	2DY2	4GO2	2GO2
	4DY2		4DY2		2GO3
	4EA2-E		4EA2-E		2GS2
	4EA2-M		4EA2-M		2GS3
	4SF2		4SF2		4GS2
	6DY2		6DY2		4SF2
	6DY3		6DY3		6GS2
	6EB2-E		6EA2-E		
	6EB2-M		6EA2-M	4GO3	2GO2
	8EB2-E		6EB2-E		2GS2
	8EB2-M		6EB2-M		2GS3
	9DY2		8EB2-E		4GS2
	9DY3		8EB2-M		4SF2
			9DY2		6GS2
4EA2-M	2DY2		9DY3		
	4DY2		9EA2		
	4EA2-M		9EA3	4GS	2GS
	4SF2				2LS
	6DY2				4GS
	6DY3				4LS
	6EB2-E				
	6EB2-M				
	8EB2-E				
	8EB2-M				
	9DY2				
	9DY3				

Effective: December 1, 2017

4001 Rodney Parham Rd.
Little Rock, AR 72212

15. Access Service Interfaces and Transmission Specifications (Cont'd)15.1 Special Access Service (Cont'd)15.1.2 Network Channel Interface (NCI) Codes (Cont'd)(C) Compatible Network Channel Interfaces (Cont'd)(3) Voice Grade (Cont'd)

<u>Compatible CIs</u>		<u>Compatible CIs</u>		<u>Compatible CIs</u>	
4LO2	2LS2 2LS3 4LS2 4SF2 6LS2	4LS3	2LA2 2LB2 2LC2 2LO2 2LO3 4SF2	4SF2	2LO3 2LR2 2LS2 2LS3 2RV2-T 4AC2 4DY2
4LO3	2LS2 2LS3 4LS2 4SF2 6LS2	4NO2	2DA2 2DE2 2NO2 4DA2 4DE2		4LS2 4RV2-T 4SF2 6DY2 6DY3
4LR2	2LR2 4LR2 4SF2		4NO2 6DA2		6GS2 9DY2 9DY3
4LR3	2LR2 4LR2 4SF2	4RV2-0	2RV2-T 4RV2-T 4SF2	4SF3	2DY2 2GO3 2GS2 2GS3
4LS	2GS 2LS 4GS 4LS	4SF2	2AC2 2DY2 2GS2 2GS3 2LA2		2LA2 2LB2 2LC2 2LO3 2LR2
4LS2	2LA2 2LB2 2LC2 2LO2 2LO3		2LB2 2LC2		

Effective: December 1, 2017

4001 Rodney Parham Rd.
Little Rock, AR 72212

15. Access Service Interfaces and Transmission Specifications (Cont'd)15.1 Special Access Service (Cont'd)15.1.2 Network Channel Interface (NCI) Codes (Cont'd)(C) Compatible Network Channel Interfaces (Cont'd)(3) Voice Grade (Cont'd)

<u>Compatible CIs</u>		<u>Compatible CIs</u>		<u>Compatible CIs</u>	
4SF3	2LS2	6DA	4DA2	6DY3	2DY2
	2LS3		6DA2		4DY2
	2RV2-T				6DY2
	4DY2	6DX2	2DY2		6DY3
	4EA2-E		4DY2		
	4EA2-M		4EA2-E	6EA2-E	2AC2
	4GS2				
	4LR2		4EA2-M		2DY2
	4LS2		4SF2		2LA2
	4RV2-T		6DY2		2LB2
	4SF2		6DY3		2LC2
	4SF3		6EA2-E		2LO3
	6DY2		6EA2-M		2LS2
	6DY3		6EB2-E		2LS3
	6EB2-E		6EB2-M		2RV2-T
	6EB2-M		8EB2-E		4AC2
	6GS2		8EB2-M		4DY2
	6LS2		9DY2		4EA2-E
	9DY2		9DY3		4EA2-M
	9DY3		9EA2		4LS2
	9EA2		9EA3		4RV2-T
	9EA3				4SF2
		6DY2	2DY2		4SF3
4TF2	2TF2		4DY2		6DY2
	4TF2		6DY2		6DY3
					6EA2-E
					6EA2-M

Effective: December 1, 2017

4001 Rodney Parham Rd.
Little Rock, AR 72212

15. Access Service Interfaces and Transmission Specifications (Cont'd)15.1 Special Access Service (Cont'd)15.1.2 Network Channel Interface (NCI) Codes (Cont'd)(C) Compatible Network Channel Interfaces (Cont'd)(3) Voice Grade (Cont'd)

<u>Compatible CIs</u>		<u>Compatible CIs</u>		<u>Compatible CIs</u>	
6EA2-E	6EB2-E	6EA2-M	6DY2	6EB3-E	2DY2
	6EB2-M		6DY3		4DY2
	6LS2		6EA2-M		4EA2-E
	8EB2-E		6EB2-E		4EA2-M
	8EB2-M		6EB2-M		4SF2
	9DY2		6LS2		6DY2
	9DY3		8EB2-E		6DY3
			8EB2-M		6EA2-E
6EA2-M	2AC2		9DY2		6EA2-M
	2DY2		9DY3		8EB2-E
	2LA2				8EB2-M
	2LB2	6EB2-E	2DY2		9DY2
	2LC2		4DY2		9DY3
	2LO3		4SF2		9EA2
	2LS2		6DY2		6EA3
	2LS3		6DY3		
	2RV2-T		6EB2-E	6EX2-A	2GS2
	4AC2		6EB2-M		2GS3
	4DY2		9DY2		2LS2
	4EA2-E		9DY3		2LS3
	4EA2-M				4GS2
	4LS2	6EB2-M	2DY2		4LS2
	4RV2-T		4DY2		4SF2
	4SF2		4SF2		6GS2
	4SF3		6DY2		6LS2
			6DY3		
			6EB2-M		
			9DY2		
			9DY3		

Effective: December 1, 2017

4001 Rodney Parham Rd.
Little Rock, AR 72212

15. Access Service Interfaces and Transmission Specifications (Cont'd)15.1 Special Access Service (Cont'd)15.1.2 Network Channel Interface (NCI) Codes (Cont'd)(C) Compatible Network Channel Interfaces (Cont'd)(3) Voice Grade (Cont'd)

<u>Compatible CIs</u>		<u>Compatible CIs</u>		<u>Compatible CIs</u>	
6EX2-B	2GO3	8EB2-E	2AC2	8EB2-M	2AC2
	2LA2		2DY2		2DY2
	2LB2		2LA2		2LA2
	2LC2		2LB2		2LB2
	2LO2		2LC2		2LC2
	2LO3		2LO3		2LO3
	2LR2		2LS2		2LS2
	4LR2		2LS3		2LS3
	4SF2		2RV2-T		2RV2-T
			4AC2		4AC2
			4DY2		4DY2
6GO2	2GS2	4LS2	4LS2		
	2GS3	4RV2-T	4RV2-T		
	4GS2	4SF2	4SF2		
	4SF2	4SF3	4SF3		
	6GS2	6DY2	6DY2		
		6DY3	6DY3		
6LO2	2LS2	6EB2-E	6EB2-E		
	2LS3	6EB2-M	6EB2-M		
	4LS2	6LS2	6LS2		
	4SF2	8EB2-E	8EB2-M		
	6LS2	8EB2-M	9DY2		
6LS2		9DY2	9DY3		
	2LA2	9DY3			
	2LB2				
	2LC2				
	2LO2				
	2LO3				
	4SF2				

Effective: December 1, 2017

4001 Rodney Parham Rd.
Little Rock, AR 72212

15. Access Service Interfaces and Transmission Specifications (Cont'd)

15.1 Special Access Service (Cont'd)

15.1.2 Network Channel Interface (NCI) Codes (Cont'd)

(C) Compatible Network Channel Interfaces (Cont'd)

(3) Voice Grade (Cont'd)

<u>Compatible CIs</u>		<u>Compatible CIs</u>		<u>Compatible CIs</u>	
8EC2	2DY2	9DY2	2DY2	9EA3	2DY2
	4DY2		4DY2		4DY2
	4EA2-E		6DY2		4EA2-E
	4EA2-M		6DY3		4EA2-M
	4SF2		9DY2		6DY2
	6DY2				6DY3
	6DY3	9DY3	2DY2		6EA2-E
	6EA2-E		4DY2		6EA2-M
	6EA2-M		6DY2		6EB2-E
	6EB2-E		6DY3		6EB2-M
	6EB2-M		9DY2		8EB2-E
	8EB2-E		9DY3		8EB2-M
	8EB2-M				9DY2
	9DY2	9EA2	2DY2		9DY3
	9DY3		4DY2		9EA3
	9EA2		4EA2-E		
	9EA3		4EA2-M		
			6DY2		
			6DY3		
			6EA2-E		
			6EA2-M		
			6EB2-E		
			6EB2-M		
			8EB2-E		
			8EB2-M		
			9DY2		
			9DY3		
			9EA2		
			9EA3		

15. Access Service Interfaces and Transmission Specifications (Cont'd)15.1 Special Access Service (Cont'd)15.1.2 Network Channel Interface (NCI) Codes (Cont'd)(C) Compatible Network Channel Interfaces (Cont'd)(4) Program Audio

<u>Compatible CIs</u>		<u>Compatible CIs</u>	
2PG2-1	2PG1-1 2PG2-1	4DS8-15E	2PG1-3 2PG2-3
2PG2-3	2PG1-3 2PG2-3	4DS8-15F	2PG1-5 2PG2-5
2PG2-5	2PG1-5 2PG2-5	4DS8-15G	2PG1-8 2PG2-8
2PG2-8	2PG1-8 2PG2-8	4DA8-15H	2PG1-1 2PG2-1

(5) Video

<u>Compatible CIs</u>		<u>Compatible CIs</u>	
2TV6-1	4TV6-15 4TV7-15	4TV7-5	4TV6-5 4TV7-5
2TV6-2	6TV6-15 6TV7-15	4TV7-15	4TV6-15 4TV7-15
2TV7-1	4TV6-15 4TV7-15	6TV6-5	6TV6-5 6TV7-5
2TV7-2	6TV6-15 6TV7-15	6TV6-15	6TV6-15 6TV7-15
4TV6-5	4TV6-5 4TV7-5	6TV7-5	6TV6-5 6TV7-5
4TV6-15	4TV6-15 4TV7-15	6TV7-15	6TV6-15 6TV7-15

Effective: December 1, 2017

4001 Rodney Parham Rd.
Little Rock, AR 72212

15. Access Service Interfaces and Transmission Specifications (Cont'd)15.1 Special Access Service (Cont'd)15.1.2 Network Channel Interface (NCI) Codes (Cont'd)(C) Compatible Network Channel Interfaces (Cont'd)(6) Digital Data

<u>Compatible CIs</u>	<u>Compatible CIs</u>	<u>Compatible CIs</u>	<u>Compatible CIs</u>	<u>Compatible CIs</u>	<u>Compatible CIs</u>
4DS8-15	4DS8-15+	4DU5-19	4DU5-19	6DU5-19	6DU5-19
	4DU5-19	4DU5-24	4DU5-24	6DU5-24	6DU5-24
	4DU5-24				
	4DU5-48				
	4DU5-56	4DU5-48	4DU5-48	6DU5-48	6DU5-48
	4DU5-96				
	6DU5-24	4DU5-96	4DU5-96	6DU5-56	6DU5-56
	6DU5-48				
	6DU5-96	4DU8-56	4DU5-56	6DU5-96	6DU5-96

+ Available only as a cross connect of two digital channels at appropriate digital speeds at a Telephone Company hub.

Effective: December 1, 2017

4001 Rodney Parham Rd.
Little Rock, AR 72212

(C) Compatible Network Channel Interfaces (Cont'd)(7) High Capacity

<u>Compatible CIs</u>		<u>Compatible CIs</u>	
4DS0-63	4DS0-63 4DU8-A, B or C 6DU8-A, B or C	4DS8-15J	4DU8-A 6DU8-A
4DS6-27	4DS6-27 4DU8-A, B or C 6DU8-A, B or C	4DS8-15K	4DU8-B 4DU8-C 6DU8-B 6DU8-C
4DS6-44	4DS6-44 4DU8-A, B or C 6DU8-A, B or C	4DS8-31	4DS8-31 4DU8-A, B or C 6DU8-A, B or C
4DS8-15	4DS8-15+ 4DU8-B 6DU8-8	4DU8-A, B or C	4DU8-A, B or C

(8) Synchronous Optical Channel Service

<u>Compatible CIs</u>		<u>Compatible CIs</u>	
4DS9-1S	4DU9-1S	2SOF-A	2SOF-A
4DS9-1K	4DU9-1K	2SOF-B	2SOF-B
		2SOF-C	2SOF-C
		2SOF-D	2SOF-D
		2SOF-E	2SOF-E
		2SOF-F	2SOF-F

+ Available only as a cross connect of two individual channels of 1.544 Mbps facilities at a Telephone Company hub

Effective: December 1, 2017

4001 Rodney Parham Rd.
Little Rock, AR 72212

16. Public Packet Data Network16.1 Frame Relay Service16.1.1 General

Frame Relay Service (FRS) is a "fast packet" network service that permits the transmission of data at speeds of 56/64* Kbps, 128 Kbps, 256 Kbps, 384 Kbps, 1.544 Mbps, or 45 Mbps using Permanent Virtual Circuits (PVCs).

PVCs are logical circuits that define a specific path for data sent by the customer to another location. These circuits are virtual because they are established in software tables and do not tie up capacity when not in use. This also allows multiple paths (PVCs) to be defined on any given port, thereby providing a single access line the capability to transmit data to multiple destinations.

In operation of Frame Relay Service, customer premises equipment, such as routers, encapsulate arriving data into variable length frames. These frames contain information identifying which PVC in the network should be used to forward the frame to the proper destination. The customer premises equipment then sends the frame into the Frame Relay network. The Frame Relay switch reads identifying information and routes the frame to the proper destination based on a pre-established PVC path.

The statistical multiplexing Frame Relay switches are able to provide shared network resources to end users of this service.

Frame Relay Service conforms to ITU-T (Telecommunication Standardization Bureau of the International Telecommunication Union, formerly Consultative Committee for International Telegraph and Telephone ([CCITT]) and American National Standards Institute (ANSI) publications T1.602, T1.606, T1.617 and T1.618. The Committed Information Rate (CIR) and the Maximum Burst Size (Be) are traffic management parameters that allow the customer to fine tune implementation of Frame Relay Service.

Term Payment Plan (TPP) arrangements are not available to new customers. TPP arrangements relating to existing customers are as set forth under Section 22 following.

Effective: December 1, 2017

4001 Rodney Parham Rd.
Little Rock, AR 72212

16. Public Packet Data Network (Cont'd)16.1 Frame Relay Service (Cont'd)16.1.2 Service Provisioning

Frame Relay is a transport service that facilitates the exchange of variable length information units (frames) between end user connections by way of assigned virtual connections. Each frame is passed to the Frame Relay network with an address that specifies the virtual connection.

Variable frame length capability is useful in communications between asynchronous Local Area Networks (LANs) and for transport of synchronous data traffic. Frame Relay is capable of handling the requirements of bursty data sources because of the ability of the service to allocate additional bandwidth when not in use by other sources.

Frame Relay is provided to the customer in the form of the Frame Relay User-to-Network Interface (UNI) Port with Access Line, or Frame Relay UNI Port Only, Frame Relay Network-to-Network (NNI) Port Only, and Permanent Virtual Circuits (PVCs). The Frame Relay Access Line forms the component which provides the customer access to the customer's serving wire center and interoffice transport from the customer's serving wire center to the Frame Relay Switch. The Frame Relay Access line is provided for use only with Frame Relay Service. 45 Mbps is not offered bundled with the Frame Relay Access Line. 45 Mbps is available on a UNI or NNI port only basis and the DS3 access line is obtained from Section 5. The Frame Relay UNI and NNI Port Only offerings are provided for digital special access line connections to the network supporting Frame Relay Service. Digital special access lines are available from Section 5. For unbundled services, both the port and the digital special access line must be ordered by and billed to one customer.

Ports are provisioned on a specified speed and Committed Information Rate (CIR) basis, depending upon the customer's request. The actual throughput of customer traffic cannot exceed the bandwidth of the access line and the port speed. Since multiple PVCs may be defined on one physical port, it is possible for the cumulative CIRs to exceed the physical bandwidth of that port. This is referred to as over-subscription and when this occurs, there can be no guarantee that the CIR defined for that port and PVC will be available at any point in time.

No PVC can have a CIR greater bit rate than the lower of the two port speeds connected by the PVC segment.

A PVC must be associated with at least one Frame Relay Port. A Frame Relay Port can be associated with multiple PVCs.

* Upon request and where available.

Effective: December 1, 2017

4001 Rodney Parham Rd.
Little Rock, AR 72212

16. Public Packet Data Network (Cont'd)16.1 Frame Relay Service (Cont'd)16.1.2 Service Provisioning (Cont'd)

A customer subscribing to a FRS port or port with access line will be referred to as the Controller of the Frame Relay Port. A separate entity may subscribe, with written authorization from the Controller, to a PVC which allows communication between entities. A disconnect of a PVC does not result in the disconnect of the underlying access line and port. Only the Controller may order the disconnect of the Frame Relay Access Service. Both customers must have a Frame Relay Service. The Controller of each Frame Relay Access Service must have written permission from the Controller(S) of each of the Frame Relay Services to which a PVC is requested.

The Frame Relay Port and/or PVCs may be ordered and billed separately from an associated frame relay port and PVC and can have different customers as Controllers.

The customer must specify at service subscription the Committed Information Rate (CIR) and the maximum Burst Rate (Be) for each PVC ordered. CIR is the maximum information rate at which the customer's traffic will be admitted to the Frame Relay network without being designated eligible for discard.

The value for the Burst Rate will be the lower of the two port speeds connected by the PVC segment. For example, if customer location A has a 56 Kbps port and customer location B has a 45 Mbps port, the Be for the PVC linking these two locations will be 56 Kbps. Frame Relay to ATM PVC conversion is a Frame Relay Service option which permits PVC paths to be established between Frame Relay subscribers and ATM users when interworking is available.

Customers ordering a Frame Relay PVC must designate that the termination of the PVC will occur on an ATM service. In addition, the customer must designate the CIR of the PVC. A monthly recurring charge based upon the CIR of the PVC ordered, as set forth under section 29, will apply for each PVC interworked to an ATM service in addition to the PVC CIR Capacity charge under Section 17 following.

The Telephone Company does not undertake to originate data, but offers the use of its service components, where available, to customers for the purpose of transporting customer-originated data.

Frame Relay Service is available where facilities and conditions permit.

Effective: December 1, 2017

4001 Rodney Parham Rd.
Little Rock, AR 72212

16. Public Packet Data Network (Cont'd)16.1 Frame Relay Service (Cont'd)16.1.3 Obligations of the Telephone Company

In addition to the general conditions described in Section 2, when a customer requests a path which is related to other Local Exchange Carriers, Interexchange Carriers or other Frame Relay networks, the Telephone Company will provide assistance in establishing the associated PVC.

The Telephone Company has the service responsibility up to and including the network interface.

Occasionally, in order to perform software updates and other maintenance, it may be necessary to take the Frame Relay Switch out of service, during the predetermined maintenance window. In these cases, all attempts will be made to notify the customer in advance as to the time and duration of these outages. The Telephone Company reserves the right to temporarily interrupt Frame Relay Service at other times in emergency situations.

16.1.4 Obligations of the Customer

In addition to the general conditions described in section 2:

- The customer's Frame Relay terminal equipment has the responsibility for retransmitting frames which are discarded due to errors or network congestion.
- The customer, upon request, shall furnish such information as may be required to permit the Telephone Company to design and maintain the Frame Relay Service it offers and to assure that the service arrangement is in compliance with the regulations contained herein. At service subscription, the customer will be expected to specify the PVC CIR capacity and Be for each PVC ordered.
- It shall be the responsibility of the customer to ensure the continuing compatibility of the customer-provided equipment (CPE) that is used in conjunction with the Frame Relay Service. The CPE shall be in compliance with FCC rules and regulations.
- The customer shall be responsible for obtaining permission for the Telephone Company's agents or employees to enter the premises of the customer or its users at any reasonable hour for the purpose of installing, inspecting, repairing, or, upon termination of the service, removing the service components of the Telephone Company.
- Error correction is the responsibility of the customer's terminal equipment and/or applications. If the FRS network experiences congestion or failures, customer data may be discarded. In addition, frames that are received in excess of the Be, with bad addresses, or other errors, will be discarded on ingress to the network.

Effective: December 1, 2017

4001 Rodney Parham Rd.
Little Rock, AR 72212

16. Public Packet Data Network (Cont'd)16.1 Frame Relay Service (Cont'd)16.1.5 Rate Regulations(A) Minimum Period

The minimum period for Frame Relay Service is one month, except when provided under a Term Payment Plan (TPP) arrangement. The regulations applicable to Frame Relay Service provided under a TPP arrangement are specified under Section 22 following. 45 Mbps Frame Relay UNI Ports are offered on a 1 year, 3 year or 5 year basis.

(B) Rate Elements

- (1) Frame Relay UNI Port and Access Line A nonrecurring charge and a monthly rate, based on the speed of the port connection (i.e., 56/64 Kbps, 384 Kbps or 1.544 Mbps), apply per port for each physical connection to the network supporting Frame Relay Service. Each port can accommodate multiple paths (PVCs). Clear channel capability, as necessary, is included at no additional charge.
- (2) Frame Relay UNI or NNI Port only A nonrecurring charge and a monthly rate, based on the speed of the port connection (i.e., 56/64 Kbps or 1.544 Mbps), apply per port for each Frame Relay Access Line or digital private line connection to the network supporting Frame Relay Service. Each port can accommodate multiple paths (PVCs).
 - (a) Network-to-Network Interface (NNI) Port Only. The NNI port configuration is used for connecting two networks together for bidirectional messaging. Access facilities are available from section 5
 - (b) User-to-Network Interface (UNI) Port Only The UNI port provides for a user to carrier connection (i.e., end user customer to WINDSTREAM TELECOM). Access facilities are available from section 5.
- (3) Frame Relay PVC CIR Capacity

A monthly rate applies for the PVC CIR capacity for each PVC requested by the customer.
- (4) Frame Relay to ATM Conversion A monthly rate applies, based upon CIR ordered, for each PVC interworked to an ATM service as set forth under 16.1(F)(1)(e). This charge is in addition to the Frame Relay PVC rate element and its associated CIR capacity.

Effective: December 1, 2017

4001 Rodney Parham Rd.
Little Rock, AR 72212

16. Public Packet Data Network (Cont'd)16.1 Frame Relay Service (Cont'd)16.1.5 Rate Regulations (Cont'd)(C) Rate Application

A customer may access Frame Relay Service via a Frame Relay Access Line or via Telephone Company provided digital access facilities offered under Section 5. If a customer utilizes a special access line to access FRS, the associated regulations, rates and charges for such facilities shall apply in addition to the rates and charges associated with the FRS rate elements.

A customer utilizing special access facilities to access FRS would incur the monthly rate and nonrecurring charge associated with the Frame Relay UNI or NNI Port Only charges set forth under this section respectively for standard arrangements. The UNI Port provides for a user to frame relay switch connection; the NNI Port provides for a frame relay switch to frame relay switch connection.

The Frame Relay Port (unbundled or bundled with an access line) and its associated PVC segment(s) may be ordered and billed separately from an associated frame relay port and PVC and can have different Controllers, as discussed under 16.1(B). A request by one customer to discontinue a PVC does not result in the disconnection of the Frame Relay Access Line and Port. Only the Controller of a Frame Relay Access Line may authorize a disconnect of that line.

Effective: December 1, 2017

4001 Rodney Parham Rd.
Little Rock, AR 72212

17. Rates and Charges17.1 Special Access Service17.1.1 Surcharge for Special Access Service

The Special Access Surcharge is applicable to all issuing carriers referencing Section 7 of this tariff.

	Monthly Rate	Tariff Section Reference
- Per Voice Grade Equivalent	\$25.00	7.3

Effective: January 1, 2023

17. Rates and Charges (Cont'd)
 17.1 Special Access Service (Cont'd)
 17.1.2 Metallic Service

Regulations concerning Metallic Service are set forth in 7.4 preceding.

	<u>Monthly Rate</u>	<u>Nonrecurring Charge</u>	
(A) <u>Channel Termination Per Termination</u>			
Windstream Nebraska	\$ 401.06	\$ 203.05	C
Windstream Kentucky East - London	401.06	200.00	C
Valor New Mexico #1193	401.06	200.00	C
Valor Texas #1181	401.06	200.00	C
Windstream Iowa Communications #1170,1178	401.06	200.00	C
(B) <u>Channel Mileage</u>			
(1) Channel Mileage Facility - Per Mile			
Windstream Nebraska	\$ 37.88		
Windstream Kentucky East - London	26.74		C
Valor New Mexico #1193	85.00		
Valor Texas #1181	26.74		C
Windstream Iowa Communications#1170,1178	26.74		C
(2) Channel Mileage Termination - Per Termination			
Windstream Nebraska	\$ 267.38		C
Windstream Kentucky East - London	267.38		C
Valor New Mexico #1193	267.38		C
Valor Texas #1181	267.38		C
Windstream Iowa Communications 1170,#1178	267.38		C
(C) <u>Optional Features and Functions</u>			
(1) Bridging			
(a) Three Premises Bridging - Per Port			
Windstream Nebraska	\$1.12		
Windstream Kentucky East - London	8.00		
Windstream Iowa Communications #1170,#1178	8.00		
(b) Series Bridging - Per Port			
Windstream Nebraska	\$1.12		
Windstream Kentucky East - London	8.00		
Windstream Iowa Communications #1170,#1178	8.00		

Effective: January 1, 2023

17. Rates and Charges (Cont'd)
 17.1 Special Access Service (Cont'd)
 17.1.3 Telegraph Grade Service (Cont'd)

Regulations concerning Telegraph Grade Service are set forth in 7.5 preceding.

(A) Channel Termination Per Termination

(0) Two-Wire

<u>Filing Entity</u>	<u>Monthly Rate</u>	<u>Nonrecurring Charge</u>	
Windstream North Carolina, Inc.	\$ 401.06	\$ 196.00	C
Windstream Florida	401.06	196.00	C
Windstream GA. Communications Corp.	401.06	196.00	C
Georgia Windstream, Inc.	401.06	196.00	C
Windstream Kentucky West	401.06	196.00	C
Windstream New York, Inc. - Fulton	401.06	196.00	C
Windstream New York, Inc. - Jamestown	401.06	196.00	C
Windstream New York, Inc. - Red Jacket	401.06	196.00	C
Oklahoma Windstream, Inc.	401.06	196.00	C
Windstream Pennsylvania	401.06	196.00	C
Windstream Sugar Land	401.06	196.00	C
Windstream Georgia	401.06	196.00	C
Windstream Mississippi	401.06	196.00	C
Windstream Missouri	401.06	196.00	C
Windstream Oklahoma	401.06	196.00	C
Windstream South Carolina	401.06	196.00	C
Windstream Western Reserve	401.06	196.00	C
Windstream Alabama	401.06	196.00	C
Texas Windstream	401.06	196.00	C
Windstream Arkansas	401.06	196.00	C
Windstream Communications Kerrville	401.06	196.00	C
Windstream Ohio	401.06	196.00	C
Windstream Concord	401.06	196.00	C
Windstream Lexcom	401.06	196.00	C
Windstream Nebraska	401.06	203.05	C
Windstream Kentucky East - London	401.06	200.00	C
Valor New Mexico #1193	401.06	200.00	C
Valor Texas #1181	401.06	200.00	C
Windstream Iowa Communications #1170,#1178	401.06	200.00	C
Windstream Lakedale, Inc. #1414	401.06	200.00	C
Windstream Lakedale, Inc. #1482	401.06	200.00	C

Effective: January 1, 2023

17. Rates and Charges (Cont'd)
 17.1 Special Access Service (Cont'd)
 17.1.3 Telegraph Grade Service (Cont'd)

(A) Channel Termination Per Termination

(2) Four-Wire

<u>Filing Entity</u>	<u>Monthly Rate</u>	<u>Nonrecurring Charge</u>	
Windstream North Carolina, Inc.	\$ 401.06	\$ 196.00	C
Windstream Florida	401.06	196.00	C
Windstream GA. Communications Corp.	401.06	196.00	C
Georgia Windstream, Inc.	401.06	196.00	C
Windstream Kentucky West	401.06	196.00	C
Windstream New York, Inc. - Fulton	401.06	196.00	C
Windstream New York, Inc. - Jamestown	401.06	196.00	C
Windstream New York, Inc. - Red Jacket	401.06	196.00	C
Oklahoma Windstream, Inc.	401.06	196.00	C
Windstream Pennsylvania	401.06	196.00	C
Windstream Sugar Land	401.06	196.00	C
Windstream Georgia	401.06	196.00	C
Windstream Mississippi	401.06	196.00	C
Windstream Missouri	401.06	196.00	C
Windstream Oklahoma	401.06	196.00	C
Windstream South Carolina	401.06	196.00	C
Windstream Western Reserve	401.06	196.00	C
Windstream Alabama	401.06	196.00	C
Texas Windstream	401.06	196.00	C
Windstream Arkansas	401.06	196.00	C
Windstream Communications Kerrville	401.06	196.00	C
Windstream Ohio	401.06	196.00	C
Windstream Concord	401.06	196.00	C
Windstream Lexcom	401.06	196.00	C
Windstream Nebraska	401.06	203.05	C
Windstream Kentucky East - London	401.06	200.00	C
Valor New Mexico #1193	401.06	200.00	C
Valor Texas #1181	401.06	200.00	C
Windstream Iowa Communications #1170,#1178	401.06	200.00	C
Windstream Lakedale, Inc. #1414	401.06	200.00	C
Windstream Lakedale, Inc. #1482	401.06	200.00	C

Effective: January 1, 2023

17. Rates and Charges (Cont'd)
- 17.1 Special Access Service (Cont'd)
- 17.1.3 Telegraph Grade Service (Cont'd)
- (B) Channel Mileage

<u>Filing Entity</u>	<u>Facility Per Mile</u>	<u>Termination Per Termination</u>	
Windstream North Carolina, Inc.	\$ 26.74	\$ 267.38	C
Windstream Florida	26.74	267.38	C
Windstream GA. Communications Corp.	26.74	267.38	C
Georgia Windstream, Inc.	26.74	267.38	C
Windstream Kentucky West	26.74	267.38	C
Windstream New York, Inc. - Fulton	26.74	267.38	C
Windstream New York, Inc. - Jamestown	26.74	267.38	C
Windstream New York, Inc. - Red Jacket	26.74	267.38	C
Oklahoma Windstream, Inc.	26.74	267.38	C
Windstream Pennsylvania	26.74	267.38	C
Windstream Sugar Land	26.74	267.38	C
Windstream Georgia	26.74	267.38	C
Windstream Mississippi	26.74	267.38	C
Windstream Missouri	26.74	267.38	C
Windstream Oklahoma	26.74	267.38	C
Windstream South Carolina	26.74	267.38	C
Windstream Western Reserve	26.74	267.38	C
Windstream Alabama	26.74	267.38	C
Texas Windstream	26.74	267.38	C
Windstream Arkansas	26.74	267.38	C
Windstream Standard	26.74	267.38	C
Windstream Communications Kerrville	26.74	267.38	C
Windstream Ohio	26.74	267.38	C
Windstream Concord	26.74	267.38	C
Windstream Lexcom	26.74	267.38	C
Windstream Nebraska	26.74	267.38	C
Windstream Kentucky East - London	26.74	267.38	C
Valor New Mexico #1193	26.74	267.38	C
Valor Texas #1181	26.74	267.38	C
Windstream Iowa Communications #1170,#1178	26.74	267.38	C
Windstream Lakedale, Inc. #1414	26.74	267.38	C
Windstream Lakedale, Inc. #1482	26.74	267.38	C

Effective: January 1, 2023

- 17. Rates and Charges (Cont'd)
- 17.1 Special Access Service (Cont'd)
- 17.1.3 Telegraph Grade Service (Cont'd)

(C) Optional Features and Functions

Rates applicable for companies listed in 17.1.3(A).

(1) Telegraph Bridging Per Port

- Two Wire/Four Wire

<u>Filing Entity</u>	<u>Monthly Rate</u>
Windstream North Carolina, Inc.	\$5.80
Windstream Florida	\$5.80
Windstream GA. Communications Corp.	\$5.80
Georgia Windstream, Inc.	\$5.80
Windstream Kentucky West	\$5.80
Windstream New York, Inc. - Fulton	\$5.80
Windstream New York, Inc. - Jamestown	\$5.80
Windstream New York, Inc. - Red Jacket	\$5.80
Oklahoma Windstream, Inc.	\$5.80
Windstream Pennsylvania	\$5.80
Windstream Sugar Land	\$5.80
Windstream Georgia	\$5.80
Windstream Mississippi	\$5.80
Windstream Missouri	\$5.80
Windstream Oklahoma	\$5.80
Windstream South Carolina	\$5.80
Windstream Western Reserve	\$5.80
Windstream Alabama	\$5.80
Texas Windstream	\$5.80
Windstream Arkansas	\$5.80
Windstream Standard	\$5.80
Windstream Communications Kerrville	\$5.80
Windstream Ohio	\$5.80
Windstream Concord	\$5.80
Windstream Lexcom	\$5.80
Windstream Nebraska	\$1.12
Windstream Kentucky East - London	\$8.00
Valor New Mexico #1193	\$8.00
Valor Texas # 1181	\$8.00
Windstream Iowa Communications #1170,#1178	\$8.00
Windstream Lakedale, Inc. #1414	\$5.80
Windstream Lakedale, Inc. #1482	\$5.80

Effective: January 1, 2023

17. Rates and Charges (Cont'd)
- 17.1 Special Access Service (Cont'd)
- 17.1.4 Voice Grade Service

Regulations concerning Voice Grade Service are set forth in 7.6 preceding.

(A) Channel Termination Per Termination

(1) Two-Wire	Monthly	Nonrecurring	
<u>Filing Entity</u>	<u>Rate</u>	<u>Charge</u>	
Windstream North Carolina, Inc.	\$ 401.06	\$ 215.00	C
Windstream Florida	401.06	215.00	C
Windstream GA. Communications Corp.	401.06	215.00	C
Georgia Windstream, Inc.	401.06	215.00	C
Windstream Kentucky West	401.06	215.00	C
Windstream New York, Inc. - Fulton	401.06	215.00	C
Windstream New York, Inc. - Jamestown	401.06	215.00	C
Windstream New York, Inc. - Red Jacket	401.06	215.00	C
Oklahoma Windstream, Inc.	401.06	215.00	C
Windstream Pennsylvania	401.06	215.00	C
Windstream Sugar Land	401.06	215.00	C
Windstream Georgia	401.06	215.00	C
Windstream Mississippi	401.06	215.00	C
Windstream Missouri	401.06	215.00	C
Windstream Oklahoma	401.06	215.00	C
Windstream South Carolina	401.06	215.00	C
Windstream Western Reserve	401.06	215.00	C
Windstream Alabama	401.06	215.00	C
Texas Windstream	401.06	215.00	C
Windstream Arkansas	401.06	215.00	C
Windstream Communications Kerrville	401.06	215.00	C
Windstream Ohio	401.06	215.00	C
Windstream Concord	401.06	215.00	C
Windstream Lexcom	401.06	215.00	C
Windstream Nebraska	401.06	213.29	C
Windstream Kentucky East - Lexington	401.06	200.00	C
Windstream Kentucky East - London	401.06	200.00	C
Valor Oklahoma	401.06	200.00	C
Valor New Mexico #1164	401.06	100.00	C
Valor New Mexico #1193	401.06	125.00	C
Valor Texas #1163	401.06	100.00	C
Valor Texas #1181	401.06	100.00	C
Windstream Iowa Communications #1167	401.06	200.00	C
Windstream Iowa Communications #1170,#1178	401.06	200.00	C
Windstream Lakedale, Inc. #1414	401.06	215.00	C
Windstream Lakedale, Inc. #1482	401.06	215.00	C
Windstream Georgia Telephone	401.06	450.00	C
Windstream Montezuma	401.06	450.00	C
Windstream Buffalo Valley	401.06	450.00	C
Windstream Conestoga	401.06	450.00	C
Windstream D&E	401.06	450.00	C

Effective: January 1, 2023

17. Rates and Charges (Cont'd)17.1 Special Access Service (Cont'd)17.1.4 Voice Grade Service (Cont'd)(A) Channel Termination Per Termination (Cont'd)

(2) Four-Wire

<u>Filing Entity</u>	<u>Monthly Rate</u>	<u>Nonrecurring Charge</u>	
Windstream North Carolina, Inc.	\$ 401.06	\$ 215.00	C
Windstream Florida	401.06	215.00	C
Windstream GA. Communications Corp.	401.06	215.00	C
Georgia Windstream, Inc.	401.06	215.00	C
Windstream Kentucky West	401.06	215.00	C
Windstream New York, Inc. - Fulton	401.06	215.00	C
Windstream New York, Inc. - Jamestown	401.06	215.00	C
Windstream New York, Inc. - Red Jacket	401.06	215.00	C
Oklahoma Windstream, Inc.	401.06	215.00	C
Windstream Pennsylvania	401.06	215.00	C
Windstream Sugar Land	401.06	215.00	C
Windstream Georgia	401.06	215.00	C
Windstream Mississippi	401.06	215.00	C
Windstream Missouri	401.06	215.00	C
Windstream Oklahoma	401.06	215.00	C
Windstream South Carolina	401.06	215.00	C
Windstream Western Reserve	401.06	215.00	C
Windstream Alabama	401.06	215.00	C
Texas Windstream	401.06	215.00	C
Windstream Arkansas	401.06	215.00	C
Windstream Communications Kerrville	401.06	215.00	C
Windstream Ohio	401.06	215.00	C
Windstream Concord	401.06	215.00	C
Windstream Lexcom	401.06	215.00	C
Windstream Nebraska	401.06	213.29	C
Windstream Kentucky East - Lexington	401.06	200.00	C
Windstream Kentucky East - London	401.06	200.00	C
Valor Oklahoma	401.06	200.00	C
Valor New Mexico #1164	401.06	100.00	C
Valor New Mexico #1193	401.06	125.00	C
Valor Texas #1163	401.06	100.00	C
Valor Texas #1181	401.06	100.00	C
Windstream Iowa Communications #1167	401.06	200.00	C
Windstream Iowa Communications #1170, #1178	401.06	200.00	C
Windstream Lakedale, Inc. #1414	401.06	215.00	C
Windstream Georgia Telephone	401.06	450.00	C
Windstream Montezuma	401.06	450.00	C
Windstream Buffalo Valley	401.06	450.00	C
Windstream Conestoga	401.06	450.00	C
Windstream D&E	401.06	450.00	C

Effective: January 1, 2023

17. Rates and Charges (Cont'd)
 17.1 Special Access Service (Cont'd)
 17.1.4 Voice Grade Service (Cont'd)

(B) Channel Mileage

<u>Filing Entity</u>	<u>Facility Per Mile</u>	<u>Termination Per Termination</u>	
Windstream North Carolina, Inc.	\$ 26.74	\$ 267.38	C
Windstream Florida	26.74	267.38	C
Windstream GA. Communications Corp.	26.74	267.38	C
Georgia Windstream, Inc.	26.74	267.38	C
Windstream Kentucky West	26.74	267.38	C
Windstream New York, Inc. - Fulton	26.74	267.38	C
Windstream New York, Inc. - Jamestown	26.74	267.38	C
Windstream New York, Inc. - Red Jacket	26.74	267.38	C
Oklahoma Windstream, Inc.	26.74	267.38	C
Windstream Pennsylvania	26.74	267.38	C
Windstream Sugar Land	26.74	267.38	C
Windstream Georgia	26.74	267.38	C
Windstream Mississippi	26.74	267.38	C
Windstream Missouri	26.74	267.38	C
Windstream Oklahoma	26.74	267.38	C
Windstream South Carolina	26.74	267.38	C
Windstream Western Reserve	26.74	267.38	C
Windstream Alabama	26.74	267.38	C
Texas Windstream	26.74	267.38	C
Windstream Arkansas	26.74	267.38	C
Windstream Standard	26.74	267.38	C
Windstream Communications Kerrville	26.74	267.38	C
Windstream Ohio	26.74	267.38	C
Windstream Concord	26.74	267.38	C
Windstream Lexcom	26.74	267.38	C
Windstream Nebraska	26.74	267.38	C
Windstream Kentucky East - Lexington	26.74	267.38	C
Windstream Kentucky East - London	26.74	267.38	C
Valor Oklahoma	26.74	267.38	C
Valor New Mexico #1164	26.74	267.38	C
Valor New Mexico #1193	26.74	267.38	C
Valor Texas #1163	26.74	267.38	C
Valor Texas #1181	26.74	267.38	C
Windstream Iowa Communications #1167	26.74	267.38	C
Windstream Iowa Communications #1170, #1178	26.74	267.38	C
Windstream Lakedale, Inc. #1414	26.74	267.38	C
Windstream Lakedale, Inc. #1482	26.74	267.38	C
Windstream Georgia Telephone	26.74	267.38	C
Windstream Montezuma	26.74	267.38	C
Windstream Buffalo Valley	26.74	267.38	C
Windstream Conestoga	26.74	267.38	C
Windstream D&E	26.74	267.38	C
Windstream Accucom	26.74	267.38	C

 Effective: January 1, 2023

17. Rates and Charges (Cont'd)
 17.1 Special Access Service (Cont'd)
 17.1.4 Voice Grade Service (Cont'd)

(C) Optional Features and Functions

Rates applicable for companies listed in 17.1.4(A).

- (1) Bridging Per Port
 - Voice Two-Wire/Four-Wire

<u>Filing Entity</u>	<u>Monthly Rate</u>
Windstream North Carolina, Inc.	\$5.80
Windstream Florida	\$5.80
Windstream GA. Communications Corp.	\$5.80
Georgia Windstream, Inc.	\$5.80
Windstream Kentucky West	\$5.80
Windstream New York, Inc. - Fulton	\$5.80
Windstream New York, Inc. - Jamestown	\$5.80
Windstream New York, Inc. - Red Jacket	\$5.80
Oklahoma Windstream, Inc.	\$5.80
Windstream Pennsylvania	\$5.80
Windstream Sugar Land	\$5.80
Windstream Georgia	\$5.80
Windstream Mississippi	\$5.80
Windstream Missouri	\$5.80
Windstream Oklahoma	\$5.80
Windstream South Carolina	\$5.80
Windstream Western Reserve	\$5.80
Windstream Alabama	\$5.80
Texas Windstream	\$5.80
Windstream Arkansas	\$5.80
Windstream Standard	\$5.80
Windstream Communications Kerrville	\$5.80
Windstream Ohio	\$5.80
Windstream Concord	\$5.80
Windstream Lexcom	\$5.80
Windstream Nebraska	\$1.29
Windstream Kentucky East - Lexington	\$8.00
Windstream Kentucky East - London	\$8.00
Valor Oklahoma	\$10.05
Valor New Mexico #1164	\$10.05
Valor New Mexico #1193	\$10.05
Valor Texas #1163	\$10.05
Valor Texas # 1181	\$10.05
Windstream Iowa Communications #1167	\$8.00
Windstream Iowa Communications #1170, #1178	\$8.00
Windstream Lakedale, Inc. #1414	\$5.80
Windstream Lakedale, Inc. #1482	\$5.80
Windstream Georgia Telephone	\$4.54
Windstream Montezuma	\$4.54
Windstream Buffalo Valley	\$4.54
Windstream Conestoga	\$4.54
Windstream D&E	\$4.54
Windstream Accucom	\$4.54

* Daily Rates will be topped and maximum rates derived as set forth in 7.2.2(B) preceding.

Effective: January 1, 2023

17. Rates and Charges (Cont'd)
 17.1 Special Access Service (Cont'd)
 17.1.4 Voice Grade Service (Cont'd)

- (C) Optional Features and Functions
 Rates applicable for companies listed in 17.1.4(A).
 (1) Bridging Per Port (Cont'd)
 - Data Two-Wire/Four-Wire

<u>Filing Entity</u>	<u>Monthly Rate</u>
Windstream North Carolina, Inc.	\$5.80
Windstream Florida	\$5.80
Windstream GA. Communications Corp.	\$5.80
Georgia Windstream, Inc.	\$5.80
Windstream Kentucky West	\$5.80
Windstream New York, Inc. - Fulton	\$5.80
Windstream New York, Inc. - Jamestown	\$5.80
Windstream New York, Inc. - Red Jacket	\$5.80
Oklahoma Windstream, Inc.	\$5.80
Windstream Pennsylvania	\$5.80
Windstream Sugar Land	\$5.80
Windstream Georgia	\$5.80
Windstream Mississippi	\$5.80
Windstream Missouri	\$5.80
Windstream Oklahoma	\$5.80
Windstream South Carolina	\$5.80
Windstream Western Reserve	\$5.80
Windstream Alabama	\$5.80
Texas Windstream	\$5.80
Windstream Arkansas	\$5.80
Windstream Standard	\$5.80
Windstream Communications Kerrville	\$5.80
Windstream Ohio	\$5.80
Windstream Concord	\$5.80
Windstream Lexcom	\$5.80
Windstream Nebraska	\$1.29
Windstream Kentucky East - Lexington	\$8.00
Windstream Kentucky East - London	\$7.87
Valor Oklahoma	\$9.64
Valor New Mexico #1164	\$8.00
Valor New Mexico #1193	\$8.00
Valor Texas #1163	\$9.73
Valor Texas # 1181	\$8.00
Windstream Iowa Communications #1167	\$8.00
Windstream Iowa Communications #1170,#1178	\$8.00
Windstream Lakedale, Inc. #1414	\$5.80
Windstream Lakedale, Inc. #1482	\$5.80
Windstream Georgia Telephone	\$4.54
Windstream Montezuma	\$4.54
Windstream Buffalo Valley	\$4.54
Windstream Conestoga	\$4.54
Windstream D&E	\$4.54
Windstream Accucom	\$4.54

* Daily Rates will be topped and maximum rates derived as set forth in 7.2.2(B) preceding.

Effective: January 1, 2023

17. Rates and Charges (Cont'd)
 17.1 Special Access Service (Cont'd)
 17.1.4 Voice Grade Service (Cont'd)

- (C) Optional Features and Functions
 Rates applicable for companies listed in 17.1.4(A).
 (1) Bridging Per Port Cont'd
 - Telephoto Two-Wire/Four-Wire

<u>Filing Entity</u>	<u>Monthly Rate</u>
Windstream North Carolina, Inc.	\$5.80
Windstream Florida	\$5.80
Windstream GA. Communications Corp.	\$5.80
Georgia Windstream, Inc.	\$5.80
Windstream Kentucky West	\$5.80
Windstream New York, Inc. - Fulton	\$5.80
Windstream New York, Inc. - Jamestown	\$5.80
Windstream New York, Inc. - Red Jacket	\$5.80
Oklahoma Windstream, Inc.	\$5.80
Windstream Pennsylvania	\$5.80
Windstream Sugar Land	\$5.80
Windstream Georgia	\$5.80
Windstream Mississippi	\$5.80
Windstream Missouri	\$5.80
Windstream Oklahoma	\$5.80
Windstream South Carolina	\$5.80
Windstream Western Reserve	\$5.80
Windstream Alabama	\$5.80
Texas Windstream	\$5.80
Windstream Arkansas	\$5.80
Windstream Standard	\$5.80
Windstream Communications Kerrville	\$5.80
Windstream Ohio	\$5.80
Windstream Concord	\$5.80
Windstream Lexcom	\$5.80
Windstream Nebraska	\$1.29
Windstream Kentucky East - Lexington	\$8.00
Windstream Kentucky East - London	\$8.00
Valor Oklahoma	\$5.80
Valor New Mexico #1164	\$5.80
Valor New Mexico #1193	\$5.80
Valor Texas #1163	\$5.80
Valor Texas # 1181	\$5.80
Windstream Iowa Communications #1170,#1178	\$8.00
Windstream Lakedale, Inc. #1414	\$5.80
Windstream Lakedale, Inc. #1482	\$5.80
Windstream Georgia Telephone	\$4.54
Windstream Montezuma	\$4.54
Windstream Buffalo Valley	\$4.54
Windstream Conestoga	\$4.54
Windstream D&E	\$4.54
Windstream Accucom	\$4.54

* Daily Rates will be topped and maximum rates derived as set forth in 7.2.2(B) preceding.

Effective: January 1, 2023

17. Rates and Charges (Cont'd)
- 17.1 Special Access Service (Cont'd)
- 17.1.4 Voice Grade Service (Cont'd)
- (C) Optional Features and Functions (Cont'd)
- (2) Conditioning Per Termination
- C-Type

<u>Filing Entity</u>	<u>Monthly Rate</u>
Windstream North Carolina, Inc.	\$19.30
Windstream Florida	\$19.30
Windstream GA. Communications Corp.	\$19.30
Georgia Windstream, Inc.	\$19.30
Windstream Kentucky West	\$19.30
Windstream New York, Inc. - Fulton	\$19.30
Windstream New York, Inc. - Jamestown	\$19.30
Windstream New York, Inc. - Red Jacket	\$19.30
Oklahoma Windstream, Inc.	\$19.30
Windstream Pennsylvania	\$19.30
Windstream Sugar Land	\$19.30
Windstream Georgia	\$19.30
Windstream Mississippi	\$19.30
Windstream Missouri	\$19.30
Windstream Oklahoma	\$19.30
Windstream South Carolina	\$19.30
Windstream Western Reserve	\$19.30
Windstream Alabama	\$19.30
Texas Windstream	\$19.30
Windstream Arkansas	\$19.30
Windstream Standard	\$19.30
Windstream Communications Kerrville	\$19.30
Windstream Ohio	\$19.30
Windstream Concord	\$19.30
Windstream Lexcom	\$19.30
Windstream Nebraska	\$2.50
Windstream Kentucky East - Lexington	\$1.50
Windstream Kentucky East - London	\$11.12
Valor Oklahoma	\$3.15
Valor New Mexico #1164	\$1.61
Valor New Mexico #1193	\$1.61
Valor Texas #1163	\$3.15
Valor Texas # 1181	\$3.24
Windstream Iowa Communications #1167	\$1.50
Windstream Iowa Communications #1170,#1178	\$11.12
Windstream Lakedale, Inc. #1414	\$19.30
Windstream Lakedale, Inc. #1482	\$19.30
Windstream Georgia Telephone	\$7.08
Windstream Montezuma	\$7.08
Windstream Buffalo Valley	\$7.08
Windstream Conestoga	\$7.08
Windstream D&E	\$7.08
Windstream Accucom	\$7.08

Effective: January 1, 2023

17. Rates and Charges (Cont'd)
- 17.1 Special Access Service (Cont'd)
- 17.1.4 Voice Grade Service (Cont'd)
- (C) Optional Features and Functions (Cont'd)
- (2) Conditioning Per Termination
- D-Type (Data Capability)

<u>Filing Entity</u>	<u>Monthly Rate</u>	<u>Nonrecurring Charge</u>
Windstream North Carolina, Inc.	\$19.30	
Windstream Florida	\$19.30	
Windstream GA. Communications Corp.	\$19.30	
Georgia Windstream, Inc.	\$19.30	
Windstream Kentucky West	\$19.30	
Windstream New York, Inc. - Fulton	\$19.30	
Windstream New York, Inc. - Jamestown	\$19.30	
Windstream New York, Inc. - Red Jacket	\$19.30	
Oklahoma Windstream, Inc.	\$19.30	
Windstream Pennsylvania	\$19.30	
Windstream Sugar Land	\$19.30	
Windstream Georgia	\$19.30	
Windstream Mississippi	\$19.30	
Windstream Missouri	\$19.30	
Windstream Oklahoma	\$19.30	
Windstream South Carolina	\$19.30	
Windstream Western Reserve	\$19.30	
Windstream Alabama	\$19.30	
Texas Windstream	\$19.30	
Windstream Arkansas	\$19.30	
Windstream Standard	\$19.30	
Windstream Communications Kerrville	\$19.30	
Windstream Ohio	\$19.30	
Windstream Concord	\$19.30	
Windstream Lexcom	\$19.30	
Windstream Nebraska	\$8.90	\$119.69
Windstream Kentucky East - Lexington	\$2.00	
Windstream Kentucky East - London	\$2.00	
Valor Oklahoma	\$2.00	
Valor New Mexico #1164	\$2.00	
Valor New Mexico #1193	\$2.00	
Valor Texas #1163	\$2.99	
Valor Texas # 1181	\$3.50	
Windstream Iowa Communications #1167	\$2.00	
Windstream Iowa Communications #1170,#1178	\$2.00	
Windstream Lakedale, Inc. #1414	\$19.30	
Windstream Lakedale, Inc. #1482	\$19.30	
Windstream Georgia Telephone	\$6.29	
Windstream Montezuma	\$6.29	
Windstream Buffalo Valley	\$6.29	
Windstream Conestoga	\$6.29	
Windstream D&E	\$6.29	
Windstream Accucom	\$6.29	

Effective: January 1, 2023

17. Rates and Charges (Cont'd)
- 17.1 Special Access Service (Cont'd)
- 17.1.4 Voice Grade Service (Cont'd)
- (C) Optional Features and Functions (Cont'd)
- (2) Conditioning Per Termination
- Telephoto Capability

<u>Filing Entity</u>	<u>Monthly Rate</u>
Windstream Sugar Land	\$9.58
Valor Oklahoma	\$5.80
Valor New Mexico #1164	\$5.80
Valor New Mexico #1193	\$5.80
Valor Texas #1163	\$5.80
Valor Texas # 1181	\$5.80
Windstream Iowa Communications #1170,#1178	\$2.81
Windstream Georgia Telephone	\$6.30
Windstream Montezuma	\$6.30
Windstream Buffalo Valley	\$6.30
Windstream Conestoga	\$6.30
Windstream D&E	\$6.30
Windstream Accucom	\$6.30

Effective: January 1, 2023

17. Rates and Charges (Cont'd)
- 17.1 Special Access Service (Cont'd)
- 17.1.4 Voice Grade Service (Cont'd)
- (C) Optional Features and Functions (Cont'd)
- (3) Improved Return Loss for Effective
Two-Wire or Four-Wire Transmission.
Rate applied per Channel Termination.

<u>Filing Entity</u>	<u>Monthly Rate</u>
Windstream North Carolina, Inc.	\$18.50
Windstream Florida	\$18.50
Windstream GA. Communications Corp.	\$18.50
Georgia Windstream, Inc.	\$18.50
Windstream Kentucky West	\$18.50
Windstream New York, Inc. - Fulton	\$18.50
Windstream New York, Inc. - Jamestown	\$18.50
Windstream New York, Inc. - Red Jacket	\$18.50
Oklahoma Windstream, Inc.	\$18.50
Windstream Pennsylvania	\$18.50
Windstream Sugar Land	\$18.50
Windstream Georgia	\$18.50
Windstream Mississippi	\$18.50
Windstream Missouri	\$18.50
Windstream Oklahoma	\$18.50
Windstream South Carolina	\$18.50
Windstream Western Reserve	\$18.50
Windstream Alabama	\$18.50
Texas Windstream	\$18.50
Windstream Arkansas	\$18.50
Windstream Standard	\$18.50
Windstream Communications Kerrville	\$18.50
Windstream Ohio	\$18.50
Windstream Concord	\$18.50
Windstream Lexcom	\$18.50
Windstream Nebraska	\$3.64
Windstream Kentucky East - Lexington	\$3.75
Windstream Kentucky East - London	\$3.75
Valor Oklahoma	\$3.75
Valor New Mexico #1164	\$3.75
Valor New Mexico #1193	\$3.75
Valor Texas #1163	\$3.75
Valor Texas # 1181	\$3.75
Windstream Iowa Communications #1167	\$3.75
Windstream Iowa Communications #1170, #1178	\$3.75
Windstream Lakedale, Inc. #1414	\$18.50
Windstream Lakedale, Inc. #1482	\$18.50
Windstream Georgia Telephone	\$10.11
Windstream Montezuma	\$10.11
Windstream Buffalo Valley	\$10.11
Windstream Conestoga	\$10.11
Windstream D&E	\$10.11
Windstream Accucom	\$10.11

Effective: January 1, 2023

17. Rates and Charges (Cont'd)
- 17.1 Special Access Service (Cont'd)
- 17.1.4 Voice Grade Service (Cont'd)
- (C) Optional Features and Functions (Cont'd)
- (4) Customer Specified Receive Level per Two-Wire Termination.

<u>Filing Entity</u>	<u>Monthly Rate</u>
Windstream North Carolina, Inc.	\$12.70
Windstream Florida	\$12.70
Windstream GA. Communications Corp.	\$12.70
Georgia Windstream, Inc.	\$12.70
Windstream Kentucky West	\$12.70
Windstream New York, Inc. - Fulton	\$12.70
Windstream New York, Inc. - Jamestown	\$12.70
Windstream New York, Inc. - Red Jacket	\$12.70
Oklahoma Windstream, Inc.	\$12.70
Windstream Pennsylvania	\$12.70
Windstream Sugar Land	\$12.70
Windstream Georgia	\$12.70
Windstream Mississippi	\$12.70
Windstream Missouri	\$12.70
Windstream Oklahoma	\$12.70
Windstream South Carolina	\$12.70
Windstream Western Reserve	\$12.70
Windstream Alabama	\$12.70
Texas Windstream	\$12.70
Windstream Arkansas	\$12.70
Windstream Standard	\$12.70
Windstream Communications Kerrville	\$12.70
Windstream Ohio	\$12.70
Windstream Concord	\$12.70
Windstream Lexcom	\$12.70
Windstream Iowa Communications #1170,#1178	-
Windstream Lakedale, Inc. #1414	\$12.70
Windstream Lakedale, Inc. #1482	\$12.70
Windstream Georgia Telephone	\$7.50
Windstream Montezuma	\$7.50
Windstream Buffalo Valley	\$7.50
Windstream Conestoga	\$7.50
Windstream D&E	\$7.50
Windstream Accucom	\$7.50

Effective: January 1, 2023

17. Rates and Charges (Cont'd)
- 17.1 Special Access Service (Cont'd)
- 17.1.4 Voice Grade Service (Cont'd)
- (C) Optional Features and Functions (Cont'd)
- (5) Multiplexing per Arrangement.
Voice to Telegraph grade per
Channel Termination.

<u>Filing Entity</u>	<u>Monthly Rate</u>	<u>Nonrecurring Charge</u>
Windstream Sugar Land	\$240.77	
Valor Oklahoma	\$216.75	\$100.00
Valor New Mexico #1164	\$216.76	\$100.00
Valor New Mexico #1193	\$216.76	\$100.00
Valor Texas #1163	\$216.76	\$100.00
Valor Texas # 1181	\$216.76	\$100.00
Windstream Iowa Communications #1170,#1178	\$216.75	\$200.00

Effective: January 1, 2023

17. Rates and Charges (Cont'd)
- 17.1 Special Access Service (Cont'd)
- 17.1.4 Voice Grade Service (Cont'd)
- (C) Optional Features and Functions (Cont'd)
- (6) Signaling Capability per Termination.

<u>Filing Entity</u>	<u>Monthly Rate</u>
Windstream North Carolina, Inc.	\$2.70
Windstream Florida	\$2.70
Windstream GA. Communications Corp.	\$2.70
Georgia Windstream, Inc.	\$2.70
Windstream Kentucky West	\$2.70
Windstream New York, Inc. - Fulton	\$2.70
Windstream New York, Inc. - Jamestown	\$2.70
Windstream New York, Inc. - Red Jacket	\$2.70
Oklahoma Windstream, Inc.	\$2.70
Windstream Pennsylvania	\$2.70
Windstream Sugar Land	\$2.70
Windstream Georgia	\$2.70
Windstream Mississippi	\$2.70
Windstream Missouri	\$2.70
Windstream Oklahoma	\$2.70
Windstream South Carolina	\$2.70
Windstream Western Reserve	\$2.7
Windstream Alabama	\$2.70
Texas Windstream	\$2.70
Windstream Arkansas	\$2.70
Windstream Standard	\$2.70
Windstream Communications Kerrville	\$2.70
Windstream Ohio	\$2.70
Windstream Concord	\$2.70
Windstream Lexcom	\$2.70
Windstream Nebraska	\$13.19
Windstream Kentucky East - Lexington	\$10.00
Windstream Kentucky East - London	\$16.51
Valor Oklahoma	\$10.00
Valor New Mexico #1164	\$10.00
Valor New Mexico #1193	\$10.00
Valor Texas #1163	\$10.00
Valor Texas # 1181	\$14.00
Windstream Iowa Communications #1170,#1178	\$16.51
Windstream Lakedale, Inc. #1414	\$2.70
Windstream Lakedale, Inc. #1482	\$2.70
Windstream Georgia Telephone	\$16.19
Windstream Montezuma	\$16.19
Windstream Buffalo Valley	\$16.19
Windstream Conestoga	\$16.19
Windstream D&E	\$16.19
Windstream Accucom	\$16.19

Effective: January 1, 2023

17. Rates and Charges (Cont'd)
- 17.1 Special Access Service (Cont'd)
- 17.1.4 Voice Grade Service (Cont'd)
- (C) Optional Features and Functions (Cont'd)
- (7) Selective Signaling Arrangement per Arrangement.

<u>Filing Entity</u>	<u>Monthly Rate</u>
Windstream North Carolina, Inc.	\$18.50
Windstream Florida	\$18.50
Windstream GA. Communications Corp.	\$18.50
Georgia Windstream, Inc.	\$18.50
Windstream Kentucky West	\$18.50
Windstream New York, Inc. - Fulton	\$18.50
Windstream New York, Inc. - Jamestown	\$18.50
Windstream New York, Inc. - Red Jacket	\$18.50
Oklahoma Windstream, Inc.	\$18.50
Windstream Pennsylvania	\$18.50
Windstream Sugar Land	\$18.50
Windstream Georgia	\$18.50
Windstream Mississippi	\$18.50
Windstream Missouri	\$18.50
Windstream Oklahoma	\$18.50
Windstream South Carolina	\$18.50
Windstream Western Reserve	\$18.50
Windstream Alabama	\$18.50
Texas Windstream	\$18.50
Windstream Arkansas	\$18.50
Windstream Standard	\$18.50
Windstream Communications Kerrville	\$18.50
Windstream Ohio	\$18.50
Windstream Concord	\$18.50
Windstream Lexcom	\$18.50
Valor Oklahoma	\$14.00
Valor New Mexico #1164	\$14.00
Valor New Mexico #1193	\$14.00
Valor Texas #1163	\$14.00
Valor Texas # 1181	\$14.00
Windstream Iowa Communications #1170,#1178	\$32.11
Windstream Lakedale, Inc. #1414	\$18.50
Windstream Lakedale, Inc. #1482	\$18.50
Windstream Georgia Telephone	\$4.54
Windstream Montezuma	\$4.54
Windstream Buffalo Valley	\$4.54
Windstream Conestoga	\$4.54
Windstream D&E	\$4.54
Windstream Accucom	\$4.54

Effective: January 1, 2023

17. Rates and Charges (Cont'd)
- 17.1 Special Access Service (Cont'd)
- 17.1.4 Voice Grade Service (Cont'd)
- (C) Optional Features and Functions (Cont'd)
- (8) Transfer Arrangement
- per four port Arrangement.

<u>Filing Entity</u>	<u>Monthly Rate</u>
Windstream Sugar Land	\$3.34
Valor Oklahoma	\$3.00
Valor New Mexico #1164	\$3.00
Valor New Mexico #1193	\$3.00
Valor Texas #1163	\$3.00
Valor Texas # 1181	\$3.00
Windstream Iowa Communications #1170,#1178	\$3.00
Windstream Georgia Telephone	\$2.18
Windstream Montezuma	\$2.18
Windstream Buffalo Valley	\$2.18
Windstream Conestoga	\$2.18
Windstream D&E	\$2.18
Windstream Accucom	\$2.18

- per five port Arrangement.

<u>Filing Entity</u>	
Valor Oklahoma	\$6.85
Valor New Mexico #1164	\$6.85
Valor New Mexico #1193	\$6.85
Valor Texas #1163	\$6.85
Valor Texas # 1181	\$6.85
Windstream Iowa Communications #1170,#1178	\$6.85
Windstream Georgia Telephone	\$4.99
Windstream Montezuma	\$4.99
Windstream Buffalo Valley	\$4.99
Windstream Conestoga	\$4.99
Windstream D&E	\$4.99
Windstream Accucom	\$4.99

Effective: January 1, 2023

- 17. Rates and Charges (Cont'd)
- 17.1 Special Access Service (Cont'd)
- 17.1.4 Voice Grade Service (Cont'd)
 - (C) Optional Features and Functions (Cont'd)
 - (9) Public Packet Switching Network (PPSN) Interface Arrangement. Rate applied per Arrangement.

<u>Filing Entity</u>	<u>Monthly Rate</u>
Windstream North Carolina, Inc.	
Windstream Florida	
Windstream GA. Communications Corp.	
Georgia Windstream, Inc.	
Windstream Kentucky West	
Windstream New York, Inc. - Fulton	
Windstream New York, Inc. - Jamestown	
Windstream New York, Inc. - Red Jacket	
Oklahoma Windstream, Inc.	
Windstream Pennsylvania	
Windstream Sugar Land	ICB
Windstream Georgia	
Windstream Mississippi	
Windstream Missouri	
Windstream Oklahoma	
Windstream South Carolina	
Windstream Western Reserve	
Windstream Alabama	
Texas Windstream	
Windstream Arkansas	
Windstream Standard	
Windstream Communications Kerrville	

Effective: January 1, 2023

17. Rates and Charges (Cont'd)
- 17.1 Special Access Service (Cont'd)
- 17.1.4 Voice Grade Service (Cont'd)
- (C) Optional Features and Functions (Cont'd)
- (10) Improved Termination Option for Termination.

<u>Filing Entity</u>	<u>Monthly Rate</u>
Windstream North Carolina, Inc.	\$10.98
Windstream Florida	\$10.98
Windstream GA. Communications Corp.	\$10.98
Georgia Windstream, Inc.	\$10.98
Windstream Kentucky West	\$10.98
Windstream New York, Inc. - Fulton	\$10.98
Windstream New York, Inc. - Jamestown	\$10.98
Windstream New York, Inc. - Red Jacket	\$10.98
Oklahoma Windstream, Inc.	\$10.98
Windstream Pennsylvania	\$10.98
Windstream Sugar Land	\$10.98
Windstream Georgia	\$10.98
Windstream Mississippi	\$10.98
Windstream Missouri	\$10.98
Windstream Oklahoma	\$10.98
Windstream South Carolina	\$10.98
Windstream Western Reserve	\$10.98
Windstream Alabama	\$10.98
Texas Windstream	\$10.98
Windstream Arkansas	\$10.98
Windstream Standard	\$10.98
Windstream Communications Kerrville	\$10.98
Windstream Ohio	\$10.98
Windstream Concord	\$10.98
Windstream Lexcom	\$10.98
Valor Oklahoma	\$10.00
Valor New Mexico #1164	\$10.00
Valor New Mexico #1193	\$10.00
Valor Texas #1163	\$10.00
Valor Texas # 1181	\$10.00
Windstream Iowa Communications #1167	\$10.00
Windstream Lakedale, Inc. #1414	\$10.98
Windstream Lakedale, Inc. #1482	\$10.98

Effective: January 1, 2023

17. Rates and Charges (Cont'd)17.1 Special Access Service (Cont'd)17.1.4 Voice Grade Service (Cont'd)(C) Optional Features and Functions (Cont'd)

(11) Improved Attenuation Distortion

<u>Filing Entity</u>	<u>Monthly Rate</u>
Valor Oklahoma	\$2.00
Valor New Mexico #1164	\$2.00
Valor New Mexico #1193	\$2.00
Valor Texas #1163	\$2.00
Valor Texas # 1181	\$2.00

(12) Improved Attenuation Distortion

<u>Filing Entity</u>	<u>Monthly Rate</u>
Valor Oklahoma	\$11.12
Valor New Mexico #1164	\$11.12
Valor New Mexico #1193	\$11.12
Valor Texas #1163	\$11.12
Valor Texas # 1181	\$11.12

(13) DATAPHONE Select-A-Station Bridging
Sequential Arrangement, Ports per Channel Connected
- Two Wire

<u>Filing Entity</u>	
Valor Oklahoma	\$21.23
Valor New Mexico #1164	\$21.23
Valor New Mexico #1193	\$21.23
Valor Texas #1163	\$21.23
Valor Texas # 1181	\$21.23
Windstream Iowa Communications #1170,#1178	\$21.23
Windstream Georgia Telephone	\$15.48
Windstream Montezuma	\$15.48
Windstream Buffalo Valley	\$15.48
Windstream Conestoga	\$15.48
Windstream D&E	\$15.48
Windstream Accucom	\$15.48

- Four Wire

<u>Filing Entity</u>	
Valor Oklahoma	\$112.80
Valor New Mexico #1164	\$112.80
Valor New Mexico #1193	\$112.80
Valor Texas #1163	\$112.80
Valor Texas # 1181	\$112.80
Windstream Iowa Communications #1170,#1178	\$112.80
Windstream Georgia Telephone	\$82.09
Windstream Montezuma	\$82.09
Windstream Buffalo Valley	\$82.09
Windstream Conestoga	\$82.09
Windstream D&E	\$82.09
Windstream Accucom	\$82.09

Effective: January 1, 2023

17. Rates and Charges (Cont'd)17.1 Special Access Service (Cont'd)17.1.4 Voice Grade Service (Cont'd)(C) Optional Features and Functions (Cont'd)

(14) DATAPHONE Select-A-Station Bridging

Addressable Arrangement, Ports per Channel Connected

- Two Wire

<u>Filing Entity</u>	<u>Monthly Rate</u>
Valor Oklahoma	\$22.76
Valor New Mexico #1164	\$22.76
Valor New Mexico #1193	\$22.76
Valor Texas #1163	\$22.76
Valor Texas # 1181	\$22.76
Windstream Iowa Communications #1170,#1178	\$22.76

- Four Wire

<u>Filing Entity</u>	<u>Monthly Rate</u>
Valor Oklahoma	\$115.88
Valor New Mexico #1164	\$115.88
Valor New Mexico #1193	\$115.88
Valor Texas #1163	\$115.88
Valor Texas # 1181	\$115.88
Windstream Iowa Communications #1170,#1178	\$115.88

(15) Telemetry and Alarm Bridging

- Alarm Distribution Bridging - Common Equipment

<u>Filing Entity</u>	<u>Monthly Rate</u>
Valor Oklahoma	\$30.00
Valor New Mexico #1164	\$30.00
Valor New Mexico #1193	\$30.00
Valor Texas #1163	\$30.00
Valor Texas # 1181	\$30.00

- Alarm Distribution Bridging - Split Band

<u>Filing Entity</u>	<u>Monthly Rate</u>
Windstream Georgia Telephone	\$7.23
Windstream Montezuma	\$7.23
Windstream Buffalo Valley	\$7.23
Windstream Conestoga	\$7.23
Windstream D&E	\$7.23
Windstream Accucom	\$7.23

Effective: January 1, 2023

17. Rates and Charges (Cont'd)
- 17.1 Special Access Service (Cont'd)
- 17.1.4 Voice Grade Service (Cont'd)
- (C) Optional Features and Functions (Cont'd)

(15) Telemetry and Alarm Bridging

- Active Bridging-Summation per Circuit Connection

<u>Filing Entity</u>	
Valor Oklahoma	\$2.00
Valor New Mexico #1164	\$2.00
Valor New Mexico #1193	\$2.00
Valor Texas #1163	\$2.00
Valor Texas # 1181	\$2.00
Windstream Iowa Communications #1170,#1178	\$1.37
Windstream Georgia Telephone	\$2.83
Windstream Montezuma	\$2.83
Windstream Buffalo Valley	\$2.83
Windstream Conestoga	\$2.83
Windstream D&E	\$2.83
Windstream Accucom	\$2.83

- Passive Bridging Channel Connections per Channel Connected

<u>Filing Entity</u>	<u>Monthly Rate</u>
Valor Oklahoma	\$0.20
Valor New Mexico #1164	\$0.20
Valor New Mexico #1193	\$0.20
Valor Texas #1163	\$0.20
Valor Texas # 1181	\$0.20
Windstream Iowa Communications #1170,#1178	\$0.20
Windstream Georgia Telephone	\$0.20
Windstream Montezuma	\$0.20
Windstream Buffalo Valley	\$0.20
Windstream Conestoga	\$0.20
Windstream D&E	\$0.20
Windstream Accucom	\$0.20

Effective: January 1, 2023

17. Rates and Charges (Cont'd)17.1 Special Access Service (Cont'd)17.1.4 Voice Grade Service (Cont'd)(C) Optional Features and Functions (Cont'd)(16) Voiceband Facility Switching ArrangementFiling Entity

Valor Oklahoma	\$7.00
Valor New Mexico #1164	\$7.00
Valor New Mexico #1193	\$7.00
Valor Texas #1163	\$7.00
Valor Texas # 1181	\$7.00
Windstream Iowa Communications #1167	\$7.00

(17) Supplemental Features- Improved Equal Level Echo Path Loss, Per Channel TerminationFiling Entity

Valor Oklahoma	\$3.75
Valor New Mexico #1164	\$3.75
Valor New Mexico #1193	\$3.75
Valor Texas #1163	\$3.75
Valor Texas # 1181	\$3.75
Windstream Iowa Communications #1167	\$3.75

(18) Voiceband - Improved Type C ConditioningFiling Entity

Valor Oklahoma	\$30.00
Valor New Mexico #1164	\$30.00
Valor New Mexico #1193	\$30.00
Valor Texas #1163	\$30.00
Valor Texas # 1181	\$30.00
Windstream Iowa Communications #1167	\$30.00

Effective: January 1, 2023

17. Rates and Charges (Cont'd)
- 17.1 Special Access Service (Cont'd)
- 17.1.5 Program Audio Service (Cont'd)
- (A) Channel Termination Per Termination (Cont'd)
- (2) 200 to 3500 Hz

<u>Filing Entity</u>	<u>Monthly Rate</u>	<u>Daily* Rate</u>	<u>Nonrecurring Charge</u>	
Windstream North Carolina, Inc.	\$ 401.06	\$ 33.42	\$ 190.00	C
Windstream Florida	401.06	33.42	190.00	C
Windstream GA. Communications Corp.	401.06	33.42	190.00	C
Georgia Windstream, Inc.	401.06	33.42	190.00	C
Windstream Kentucky West	401.06	33.42	190.00	C
Windstream New York, Inc. - Fulton	401.06	33.42	190.00	C
Windstream New York, Inc. - Jamestown	401.06	33.42	190.00	C
Windstream New York, Inc. - Red Jacket	401.06	33.42	190.00	C
Oklahoma Windstream, Inc.	401.06	33.42	190.00	C
Windstream Pennsylvania	401.06	33.42	190.00	C
Windstream Sugar Land	401.06	33.42	190.00	C
Windstream Georgia	401.06	33.42	190.00	C
Windstream Mississippi	401.06	33.42	190.00	C
Windstream Missouri	401.06	33.42	190.00	C
Windstream Oklahoma	401.06	33.42	190.00	C
Windstream South Carolina	401.06	33.42	190.00	C
Windstream Western Reserve	401.06	33.42	190.00	C
Windstream Alabama	401.06	33.42	190.00	C
Texas Windstream	401.06	33.42	190.00	C
Windstream Arkansas	401.06	33.42	190.00	C
Windstream Communications Kerrville	401.06	33.42	190.00	C
Windstream Ohio	401.06	33.42	190.00	C
Windstream Concord	401.06	33.42	190.00	C
Windstream Lexcom	401.06	33.42	190.00	C
Windstream Nebraska	401.06	33.42	213.29	C
Windstream Kentucky East - Lexington	401.06	33.42	200.00	C
Windstream Kentucky East - London	401.06	33.42	200.00	C
Valor Oklahoma	401.06	33.42	200.00	C
Valor New Mexico #1164	401.06	33.42	200.00	C
Valor New Mexico #1193	401.06	33.42	200.00	C
Valor Texas #1163	401.06	33.42	200.00	C
Valor Texas #1181	401.06	33.42	200.00	C
Windstream Iowa Communications #1167	401.06	33.42	200.00	C
Windstream Iowa Communications #1170,#1178	401.06	33.42	200.00	C
Windstream Lakedale, Inc. #1414	401.06	33.42	190.00	C
Windstream Lakedale, Inc. #1482	401.06	33.42	190.00	C

* Daily Rates will be topped and maximum rates derived as set forth in 7.2.2(B) preceding.

Effective: January 1, 2023

17. Rates and Charges (Cont'd)
- 17.1 Special Access Service (Cont'd)
- 17.1.5 Program Audio Service (Cont'd)
- (A) Channel Termination Per Termination (Cont'd)
- (2) 100 to 5000 Hz

<u>Filing Entity</u>	<u>Monthly Rate</u>	<u>Daily* Rate</u>	<u>Nonrecurring Charge</u>	
Windstream North Carolina, Inc.	\$ 401.06	\$ 33.42	\$ 190.00	C
Windstream Florida	401.06	33.42	190.00	C
Windstream GA. Communications Corp.	401.06	33.42	190.00	C
Georgia Windstream, Inc.	401.06	33.42	190.00	C
Windstream Kentucky West	401.06	33.42	190.00	C
Windstream New York, Inc. - Fulton	401.06	33.42	190.00	C
Windstream New York, Inc. - Jamestown	401.06	33.42	190.00	C
Windstream New York, Inc. - Red Jacket	401.06	33.42	190.00	C
Oklahoma Windstream, Inc.	401.06	33.42	190.00	C
Windstream Pennsylvania	401.06	33.42	190.00	C
Windstream Sugar Land	401.06	33.42	190.00	C
Windstream Georgia	401.06	33.42	190.00	C
Windstream Mississippi	401.06	33.42	190.00	C
Windstream Missouri	401.06	33.42	190.00	C
Windstream Oklahoma	401.06	33.42	190.00	C
Windstream South Carolina	401.06	33.42	190.00	C
Windstream Western Reserve	401.06	33.42	190.00	C
Windstream Alabama	401.06	33.42	190.00	C
Texas Windstream	401.06	33.42	190.00	C
Windstream Arkansas	401.06	33.42	190.00	C
Windstream Communications Kerrville	401.06	33.42	190.00	C
Windstream Ohio	401.06	33.42	190.00	C
Windstream Concord	401.06	33.42	190.00	C
Windstream Lexcom	401.06	33.42	190.00	C
Windstream Nebraska	401.06	33.42	213.29	C
Windstream Kentucky East - Lexington	401.06	33.42	200.00	C
Windstream Kentucky East - London	401.06	33.42	200.00	C
Valor Oklahoma	401.06	33.42	200.00	C
Valor New Mexico #1164	401.06	33.42	200.00	C
Valor New Mexico #1193	401.06	33.42	200.00	C
Valor Texas #1163	401.06	33.42	200.00	C
Valor Texas #1181	401.06	33.42	200.00	C
Windstream Iowa Communications #1167	401.06	33.42	200.00	C
Windstream Iowa Communications #1170,#1178	401.06	33.42	200.00	C
Windstream Lakedale, Inc. #1414	401.06	33.42	190.00	C
Windstream Lakedale, Inc. #1482	401.06	33.42	190.00	C

* Daily Rates will be topped and maximum rates derived as set forth in 7.2.2(B) preceding.

Effective: January 1, 2023

17. Rates and Charges (Cont'd)
- 17.1 Special Access Service (Cont'd)
- 17.1.5 Program Audio Service (Cont'd)
- (A) Channel Termination Per Termination (Cont'd)
- (3) 50 to 8000 Hz

<u>Filing Entity</u>	<u>Monthly Rate</u>	<u>Daily* Rate</u>	<u>Nonrecurring Charge</u>	
Windstream North Carolina, Inc.	\$ 401.06	\$ 33.42	\$ 190.00	C
Windstream Florida	401.06	33.42	190.00	C
Windstream GA. Communications Corp.	401.06	33.42	190.00	C
Georgia Windstream, Inc.	401.06	33.42	190.00	C
Windstream Kentucky West	401.06	33.42	190.00	C
Windstream New York, Inc. - Fulton	401.06	33.42	190.00	C
Windstream New York, Inc. - Jamestown	401.06	33.42	190.00	C
Windstream New York, Inc. - Red Jacket	401.06	33.42	190.00	C
Oklahoma Windstream, Inc.	401.06	33.42	190.00	C
Windstream Pennsylvania	401.06	33.42	190.00	C
Windstream Sugar Land	401.06	33.42	190.00	C
Windstream Georgia	401.06	33.42	190.00	C
Windstream Mississippi	401.06	33.42	190.00	C
Windstream Missouri	401.06	33.42	190.00	C
Windstream Oklahoma	401.06	33.42	190.00	C
Windstream South Carolina	401.06	33.42	190.00	C
Windstream Western Reserve	401.06	33.42	190.00	C
Windstream Alabama	401.06	33.42	190.00	C
Texas Windstream	401.06	33.42	190.00	C
Windstream Arkansas	401.06	33.42	190.00	C
Windstream Communications Kerrville	401.06	33.42	190.00	C
Windstream Ohio	401.06	33.42	190.00	C
Windstream Concord	401.06	33.42	190.00	C
Windstream Lexcom	401.06	33.42	190.00	C
Windstream Nebraska	401.06	33.42	213.29	C
Windstream Kentucky East - Lexington	401.06	33.42	200.00	C
Windstream Kentucky East - London	401.06	33.42	200.00	C
Valor Oklahoma	401.06	33.42	200.00	C
Valor New Mexico #1164	401.06	33.42	200.00	C
Valor New Mexico #1193	401.06	33.42	200.00	C
Valor Texas #1163	401.06	33.42	200.00	C
Valor Texas #1181	401.06	33.42	200.00	C
Windstream Iowa Communications #1167	401.06	33.42	200.00	C
Windstream Iowa Communications #1167,#1178	401.06	33.42	200.00	C
Windstream Lakedale, Inc. #1414	401.06	33.42	190.00	C
Windstream Lakedale, Inc. #1482	401.06	33.42	190.00	C

* Daily Rates will be topped and maximum rates derived as set forth in 7.2.2(B) preceding.

Effective: January 1, 2023

17. Rates and Charges (Cont'd)
 17.1 Special Access Service (Cont'd)
 17.1.5 Program Audio Service (Cont'd)

(A) Channel Termination Per Termination (Cont'd)

(4) 50 to 15000 Hz

<u>Filing Entity</u>	<u>Monthly Rate</u>	<u>Daily* Rate</u>	<u>Nonrecurring Charge</u>	
Windstream North Carolina, Inc.	\$ 401.06	\$ 33.42	\$ 190.00	C
Windstream Florida	401.06	33.42	190.00	C
Windstream GA. Communications Corp.	401.06	33.42	190.00	C
Georgia Windstream, Inc.	401.06	33.42	190.00	C
Windstream Kentucky West	401.06	33.42	190.00	C
Windstream New York, Inc. - Fulton	401.06	33.42	190.00	C
Windstream New York, Inc. - Jamestown	401.06	33.42	190.00	C
Windstream New York, Inc. - Red Jacket	401.06	33.42	190.00	C
Oklahoma Windstream, Inc.	401.06	33.42	190.00	C
Windstream Pennsylvania	401.06	33.42	190.00	C
Windstream Sugar Land	401.06	33.42	190.00	C
Windstream Georgia	401.06	33.42	190.00	C
Windstream Mississippi	401.06	33.42	190.00	C
Windstream Missouri	401.06	33.42	190.00	C
Windstream Oklahoma	401.06	33.42	190.00	C
Windstream South Carolina	401.06	33.42	190.00	C
Windstream Western Reserve	401.06	33.42	190.00	C
Windstream Alabama	401.06	33.42	190.00	C
Texas Windstream	401.06	33.42	190.00	C
Windstream Arkansas	401.06	33.42	190.00	C
Windstream Communications Kerrville	401.06	33.42	190.00	C
Windstream Ohio	401.06	33.42	190.00	C
Windstream Concord	401.06	33.42	190.00	C
Windstream Lexcom	401.06	33.42	190.00	C
Windstream Nebraska	401.06	33.42	213.29	C
Windstream Kentucky East - Lexington	401.06	33.42	200.00	C
Windstream Kentucky East - London	401.06	33.42	200.00	C
Valor Oklahoma	401.06	33.42	200.00	C
Valor New Mexico #1164	401.06	33.42	200.00	C
Valor New Mexico #1193	401.06	33.42	200.00	C
Valor Texas #1163	401.06	33.42	200.00	C
Valor Texas #1181	401.06	33.42	200.00	C
Windstream Iowa Communications #1167	401.06	33.42	200.00	C
Windstream Iowa Communications #1170,#1178	401.06	33.42	200.00	C
Windstream Lakedale, Inc. #1414	401.06	33.42	190.00	C
Windstream Lakedale, Inc. #1482	401.06	33.42	190.00	C

* Daily Rates will be topped and maximum rates derived as set forth in 7.2.2(B) preceding.

Effective: January 1, 2023

17. Rates and Charges (Cont'd)
 17.1 Special Access Service (Cont'd)
 17.1.5 Program Audio Service (Cont'd)

- (B) Channel Mileage
 (1) 200 to 3500 Hz

<u>Filing Entity</u>	<u>Facility</u>		<u>Termination</u>		
	<u>Per Mile</u>		<u>Per Termination</u>		
	<u>Monthly</u>	<u>Daily*</u>	<u>Monthly</u>	<u>Daily*</u>	
	<u>Rate</u>	<u>Rate</u>	<u>Rate</u>	<u>Rate</u>	
Windstream North Carolina, Inc.	\$ 26.74	\$ 2.68	\$ 267.38	\$ 26.74	C
Windstream Florida	26.74	2.68	267.38	26.74	C
Windstream GA. Communications Corp.	26.74	2.68	267.38	26.74	C
Georgia Windstream, Inc.	26.74	2.68	267.38	26.74	C
Windstream Kentucky West	26.74	2.68	267.38	26.74	C
Windstream New York, Inc. - Fulton	26.74	2.68	267.38	26.74	C
Windstream New York, Inc. - Jamestown	26.74	2.68	267.38	26.74	C
Windstream New York, Inc. - Red Jacket	26.74	2.68	267.38	26.74	C
Oklahoma Windstream, Inc.	26.74	2.68	267.38	26.74	C
Windstream Pennsylvania	26.74	2.68	267.38	26.74	C
Windstream Sugar Land	26.74	2.68	267.38	26.74	C
Windstream Georgia	26.74	2.68	267.38	26.74	C
Windstream Mississippi	26.74	2.68	267.38	26.74	C
Windstream Missouri	26.74	2.68	267.38	26.74	C
Windstream Oklahoma	26.74	2.68	267.38	26.74	C
Windstream South Carolina	26.74	2.68	267.38	26.74	C
Windstream Western Reserve	26.74	2.68	267.38	26.74	C
Windstream Alabama	26.74	2.68	267.38	26.74	C
Texas Windstream	26.74	2.68	267.38	26.74	C
Windstream Arkansas	26.74	2.68	267.38	26.74	C
Windstream Standard	26.74	2.68	267.38	26.74	C
Windstream Communications Kerrville	26.74	2.68	267.38	26.74	C
Windstream Ohio	26.74	2.68	267.38	26.74	C
Windstream Concord	26.74	2.68	267.38	26.74	C
Windstream Lexcom	26.74	2.68	267.38	26.74	C
Windstream Nebraska	73.78	7.38	267.38	26.74	C
Windstream Kentucky East - Lexington	26.74	2.68	267.38	26.74	C
Windstream Kentucky East - London	26.74	2.68	267.38	26.74	C
Valor Oklahoma	26.74	2.68	267.38	26.74	C
Valor New Mexico #1164	26.74	2.68	267.38	26.74	C
Valor New Mexico #1193	26.74	2.68	267.38	26.74	C
Valor Texas #1163	26.74	2.68	267.38	26.74	C
Valor Texas #1181	26.74	2.68	267.38	26.74	C
Windstream Iowa Communications #1167	26.74	2.68	267.38	26.74	C
Windstream Iowa Communications #1170, #1178	26.74	2.68	267.38	26.74	C
Windstream Lakedale, Inc. #1414	26.74	2.68	267.38	26.74	C
Windstream Lakedale, Inc. #1482	26.74	2.68	267.38	26.74	C

* Daily Rates will be topped and maximum rates derived as set forth in 7.2.2(B) preceding.

Effective: January 1, 2023

17. Rates and Charges (Cont'd)
- 17.1 Special Access Service (Cont'd)
- 17.1.5 Program Audio Service (Cont'd)
- (B) Channel Mileage
- (2) 100 to 5000 Hz

Filing Entity	Facility		Termination		
	Per Mile		Per Termination		
	Monthly Rate	Daily* Rate	Monthly Rate	Daily* Rate	
Windstream North Carolina, Inc.	\$ 26.74	\$ 2.68	\$ 267.38	\$ 26.74	C
Windstream Florida	26.74	2.68	267.38	26.74	C
Windstream GA. Communications Corp.	26.74	2.68	267.38	26.74	C
Georgia Windstream, Inc.	26.74	2.68	267.38	26.74	C
Windstream Kentucky West	26.74	2.68	267.38	26.74	C
Windstream New York, Inc. - Fulton	26.74	2.68	267.38	26.74	C
Windstream New York, Inc. - Jamestown	26.74	2.68	267.38	26.74	C
Windstream New York, Inc. - Red Jacket	26.74	2.68	267.38	26.74	C
Oklahoma Windstream, Inc.	26.74	2.68	267.38	26.74	C
Windstream Pennsylvania	26.74	2.68	267.38	26.74	C
Windstream Sugar Land	26.74	2.68	267.38	26.74	C
Windstream Georgia	26.74	2.68	267.38	26.74	C
Windstream Mississippi	26.74	2.68	267.38	26.74	C
Windstream Missouri	26.74	2.68	267.38	26.74	C
Windstream Oklahoma	26.74	2.68	267.38	26.74	C
Windstream South Carolina	26.74	2.68	267.38	26.74	C
Windstream Western Reserve	26.74	2.68	267.38	26.74	C
Windstream Alabama	26.74	2.68	267.38	26.74	C
Texas Windstream	26.74	2.68	267.38	26.74	C
Windstream Arkansas	26.74	2.68	267.38	26.74	C
Windstream Standard	26.74	2.68	267.38	26.74	C
Windstream Communications Kerrville	26.74	2.68	267.38	26.74	C
Windstream Ohio	26.74	2.68	267.38	26.74	C
Windstream Concord	26.74	2.68	267.38	26.74	C
Windstream Lexcom	26.74	2.68	267.38	26.74	C
Windstream Nebraska	73.78	7.38	267.38	26.74	C
Windstream Kentucky East - Lexington	26.74	2.68	267.38	26.74	C
Windstream Kentucky East - London	26.74	2.68	267.38	26.74	C
Valor Oklahoma	26.74	2.68	267.38	26.74	C
Valor New Mexico #1164	26.74	2.68	267.38	26.74	C
Valor New Mexico #1193	26.74	2.68	267.38	26.74	C
Valor Texas #1163	26.74	2.68	267.38	26.74	C
Valor Texas #1181	26.74	2.68	267.38	26.74	C
Windstream Iowa Communications #1167	26.74	2.68	267.38	26.74	C
Windstream Iowa Communications #1170, #1178	26.74	2.68	267.38	26.74	C
Windstream Lakedale, Inc. #1414	26.74	2.68	267.38	26.74	C
Windstream Lakedale, Inc. #1482	26.74	2.68	267.38	26.74	C

* Daily Rates will be topped and maximum rates derived as set forth in 7.2.2(B) preceding.

Effective: January 1, 2023

17. Rates and Charges (Cont'd)
 17.1 Special Access Service (Cont'd)
 17.1.5 Program Audio Service (Cont'd)

Channel Mileage

50 to 8000 Hz

<u>Filing Entity</u>	<u>Facility</u>		<u>Termination</u>		
	<u>Per Mile</u>		<u>Per Termination</u>		
	<u>Monthly</u>	<u>Daily*</u>	<u>Monthly</u>	<u>Daily*</u>	
	<u>Rate</u>	<u>Rate</u>	<u>Rate</u>	<u>Rate</u>	
Windstream North Carolina, Inc.	\$ 26.74	\$ 2.68	\$ 267.38	\$ 26.74	C
Windstream Florida	26.74	2.68	267.38	26.74	C
Windstream GA. Communications Corp.	26.74	2.68	267.38	26.74	C
Georgia Windstream, Inc.	26.74	2.68	267.38	26.74	C
Windstream Kentucky West	26.74	2.68	267.38	26.74	C
Windstream New York, Inc. - Fulton	26.74	2.68	267.38	26.74	C
Windstream New York, Inc. - Jamestown	26.74	2.68	267.38	26.74	C
Windstream New York, Inc. - Red Jacket	26.74	2.68	267.38	26.74	C
Oklahoma Windstream, Inc.	26.74	2.68	267.38	26.74	C
Windstream Pennsylvania	26.74	2.68	267.38	26.74	C
Windstream Sugar Land	26.74	2.68	267.38	26.74	C
Windstream Georgia	26.74	2.68	267.38	26.74	C
Windstream Mississippi	26.74	2.68	267.38	26.74	C
Windstream Missouri	26.74	2.68	267.38	26.74	C
Windstream Oklahoma	26.74	2.68	267.38	26.74	C
Windstream South Carolina	26.74	2.68	267.38	26.74	C
Windstream Western Reserve	26.74	2.68	267.38	26.74	C
Windstream Alabama	26.74	2.68	267.38	26.74	C
Texas Windstream	26.74	2.68	267.38	26.74	C
Windstream Arkansas	26.74	2.68	267.38	26.74	C
Windstream Standard	26.74	2.68	267.38	26.74	C
Windstream Communications Kerrville	26.74	2.68	267.38	26.74	C
Windstream Ohio	26.74	2.68	267.38	26.74	C
Windstream Concord	26.74	2.68	267.38	26.74	C
Windstream Lexcom	26.74	2.68	267.38	26.74	C
Windstream Nebraska	73.78	7.38	267.38	26.74	C
Windstream Kentucky East - Lexington	26.74	2.68	267.38	26.74	C
Windstream Kentucky East - London	26.74	2.68	267.38	26.74	C
Valor Oklahoma	26.74	2.68	267.38	26.74	C
Valor New Mexico #1164	26.74	2.68	267.38	26.74	C
Valor New Mexico #1193	26.74	2.68	267.38	26.74	C
Valor Texas #1163	26.74	2.68	267.38	26.74	C
Valor Texas #1181	26.74	2.68	267.38	26.74	C
Windstream Iowa Communications #1167	26.74	2.68	267.38	26.74	C
Windstream Iowa Communications #1170, #1178	26.74	2.68	267.38	26.74	C
Windstream Lakedale, Inc. #1414	26.74	2.68	267.38	26.74	C
Windstream Lakedale, Inc. #1482	26.74	2.68	267.38	26.74	C

* Daily Rates will be topped and maximum rates derived as set forth in 7.2.2(B) preceding.

Effective: January 1, 2023

17. Rates and Charges (Cont'd)
- 17.1 Special Access Service (Cont'd)
- 17.1.5 Program Audio Service (Cont'd)
- (B) Channel Mileage
- (4) 50 to 15000 Hz

Filing Entity	Facility Per Mile		Termination Per Termination		C
	Monthly	Daily*	Monthly	Daily*	
	Rate	Rate	Rate	Rate	
Windstream North Carolina, Inc.	\$ 26.74	\$ 2.68	\$ 267.38	\$ 26.74	C
Windstream Florida	26.74	2.68	267.38	26.74	C
Windstream GA. Communications Corp.	26.74	2.68	267.38	26.74	C
Georgia Windstream, Inc.	26.74	2.68	267.38	26.74	C
Windstream Kentucky West	26.74	2.68	267.38	26.74	C
Windstream New York, Inc. - Fulton	26.74	2.68	267.38	26.74	C
Windstream New York, Inc. - Jamestown	26.74	2.68	267.38	26.74	C
Windstream New York, Inc. - Red Jacket	26.74	2.68	267.38	26.74	C
Oklahoma Windstream, Inc.	26.74	2.68	267.38	26.74	C
Windstream Pennsylvania	26.74	2.68	267.38	26.74	C
Windstream Sugar Land	26.74	2.68	267.38	26.74	C
Windstream Georgia	26.74	2.68	267.38	26.74	C
Windstream Mississippi	26.74	2.68	267.38	26.74	C
Windstream Missouri	26.74	2.68	267.38	26.74	C
Windstream Oklahoma	26.74	2.68	267.38	26.74	C
Windstream South Carolina	26.74	2.68	267.38	26.74	C
Windstream Western Reserve	26.74	2.68	267.38	26.74	C
Windstream Alabama	26.74	2.68	267.38	26.74	C
Texas Windstream	26.74	2.68	267.38	26.74	C
Windstream Arkansas	26.74	2.68	267.38	26.74	C
Windstream Standard	26.74	2.68	267.38	26.74	C
Windstream Communications Kerrville	26.74	2.68	267.38	26.74	C
Windstream Ohio	26.74	2.68	267.38	26.74	C
Windstream Concord	26.74	2.68	267.38	26.74	C
Windstream Lexcom	26.74	2.68	267.38	26.74	C
Windstream Nebraska	73.78	7.38	267.38	26.74	C
Windstream Kentucky East - Lexington	26.74	2.68	267.38	26.74	C
Windstream Kentucky East - London	26.74	2.68	267.38	26.74	C
Valor Oklahoma	26.74	2.68	267.38	26.74	C
Valor New Mexico #1164	26.74	2.68	267.38	26.74	C
Valor New Mexico #1193	26.74	2.68	267.38	26.74	C
Valor Texas #1163	26.74	2.68	267.38	26.74	C
Valor Texas #1181	26.74	2.68	267.38	26.74	C
Windstream Iowa Communications #1167	26.74	2.68	267.38	26.74	C
Windstream Iowa Communications #1170, #1178	26.74	2.68	267.38	26.74	C
Windstream Lakedale, Inc. #1414	26.74	2.68	267.38	26.74	C
Windstream Lakedale, Inc. #1482	26.74	2.68	267.38	26.74	C

* Daily Rates will be topped and maximum rates derived as set forth in 7.2.2(B) preceding.

Effective: January 1, 2023

17. Rates and Charges (Cont'd)
 17.1 Special Access Service (Cont'd)
 17.1.5 Program Audio Service (Cont'd)

(C) Optional Features and Functions

Rates applicable for companies listed in 17.1.5(A).

- (1) Bridging, Distribution Amplifier
 - Per Port

<u>Filing Entity</u>	<u>Monthly Rate</u>	<u>Daily* Rate</u>
Windstream Sugar Land	\$21.28	\$2.13
Valor Oklahoma	\$1.00	\$0.10
Valor New Mexico #1164	\$1.00	\$0.10
Valor New Mexico #1193	\$1.00	\$0.10
Valor Texas #1163	\$1.00	\$0.10
Valor Texas # 1181	\$1.00	\$0.10
Windstream Iowa Communications #1167	\$1.00	\$0.10
Windstream Iowa Communications #1170,#1178	\$1.00	\$0.10

Effective: January 1, 2023

17. Rates and Charges (Cont'd)
- 17.1 Special Access Service (Cont'd)
- 17.1.5 Program Audio Service (Cont'd)
- (C) Optional Features and Functions (Cont'd)

Rates applicable for companies listed in 17.1.5(A).

- (2) Gain Conditioning. Rate applied per Channel Termination.

<u>Filing Entity</u>	<u>Monthly Rate</u>	<u>Daily*</u> <u>Rate</u>
Windstream North Carolina, Inc.	\$12.00	\$1.20
Windstream Florida	\$12.00	\$1.20
Windstream GA. Communications Corp.	\$12.00	\$1.20
Georgia Windstream, Inc.	\$12.00	\$1.20
Windstream Kentucky	\$12.00	\$1.20
Windstream NY, Inc. - Fulton	\$12.00	\$1.20
Windstream NY, Inc. - Jamestown	\$12.00	\$1.20
Windstream NY, Inc. - Red Jacket	\$12.00	\$1.20
Oklahoma Windstream, Inc.	\$12.00	\$1.20
Windstream Pennsylvania	\$12.00	\$1.20
Windstream Sugar Land	\$12.00	\$1.20
Windstream Georgia	\$12.00	\$1.20
Windstream Mississippi	\$12.00	\$1.20
Windstream Missouri	\$12.00	\$1.20
Windstream Oklahoma	\$12.00	\$1.20
Windstream South Carolina	\$12.00	\$1.20
Windstream Western Reserve	\$12.00	\$1.20
Windstream Alabama	\$12.00	\$1.20
Texas Windstream	\$12.00	\$1.20
Windstream Arkansas	\$12.00	\$1.20
Windstream Standard	\$12.00	\$1.20
Windstream Communications Kerrville	\$12.00	\$1.20
Windstream Ohio	\$12.00	\$1.20
Windstream Concord	\$12.00	\$1.20
Windstream Lexcom	\$12.00	\$1.20
Valor Oklahoma	\$1.00	\$0.10
Valor New Mexico #1164	\$1.00	\$0.10
Valor New Mexico #1193	\$1.00	\$0.10
Valor Texas #1163	\$1.00	\$0.10
Valor Texas # 1181	\$1.00	\$0.10
Windstream Iowa Communications #1167	\$1.00	\$0.10
Windstream Iowa Communications #1170,#1178	\$1.00	\$0.10
Windstream Lakedale, Inc. #1414	\$12.00	\$1.20
Windstream Lakedale, Inc. #1482	\$12.00	\$1.20

* Daily Rates will be topped and maximum rates derived as set forth in 7.2.2(B) preceding.

Effective: January 1, 2023

17. Rates and Charges (Cont'd)17.1 Special Access Service (Cont'd)17.1.5 Program Audio Service (Cont'd)(C) Optional Features and Functions (Cont'd)

Rates applicable for companies listed in 17.1.5(A).

(3) Conditioning Program Audio, Zero Loss per SAL

<u>Filing Entity</u>	<u>Monthly Rate</u>	<u>Daily* Rate</u>
Valor Oklahoma	\$12.00	\$1.20
Valor New Mexico #1164	\$12.00	\$1.20
Valor New Mexico #1193	\$12.00	\$1.20
Valor Texas #1163	\$12.00	\$1.20
Valor Texas # 1181	\$12.00	\$1.20
Windstream Iowa Communications #1167	\$12.00	\$1.20

* Daily Rates will be topped and maximum rates derived as set forth in 7.2.2(B) preceding.

Effective: January 1, 2023

17. Rates and Charges (Cont'd)
 17.1 Special Access Service (Cont'd)
 17.1.6 Video Service

Regulations concerning Video Service are set forth in 7.8 preceding.

	<u>Monthly Rate</u>	<u>Daily* Rate</u>	<u>NRC Monthly Daily</u>	
(A) Channel Termination				
- Per Termination				
- TV-1 or 2				
Windstream Nebraska	\$3,168.20	\$1,742.20	-	-
Windstream Kentucky East - Lexington	1,154.75	461.90	750.00	625.00
(B) Channel Mileage		<u>Monthly Rate</u>	<u>Daily Rate</u>	
(1) Channel Mileage Facility				
- Per Mile				
- TV-1 or 2				
Windstream Nebraska		\$2,387.00	\$1,314.40	
Windstream Kentucky East - Lexington		232.50	38.75	C
(2) Channel Mileage Termination				
- Per Termination				
- TV-1 or 2				
Windstream Nebraska		\$11,766.05	\$6,471.25	
Windstream Kentucky East - Lexington		ICB	ICB	C

* Daily rates will be topped and maximum rates derived as set forth in 7.2.2(B) preceding.

Effective: January 1, 2023

17. Rates and Charges (Cont'd)
 17.1 Special Access Service (Cont'd)
 17.1.7 Digital Data Service

Regulations concerning Digital Data Service are set forth in 7.9 preceding.

(A) Channel Termination Per Termination

(1) 2.4 Kbps

<u>Filing Entity</u>	<u>Monthly Rate</u>	<u>Nonrecurring Charge</u>	
Windstream North Carolina, Inc.	\$ 401.06	\$ 140.00	C
Windstream Florida	401.06	140.00	C
Windstream GA. Communications Corp.	401.06	140.00	C
Georgia Windstream, Inc.	401.06	140.00	C
Windstream Kentucky	401.06	140.00	C
Windstream New York, Inc. - Fulton	401.06	140.00	C
Windstream New York, Inc. - Jamestown	401.06	140.00	C
Windstream New York, Inc. - Red Jacket	401.06	140.00	C
Oklahoma Windstream, Inc.	401.06	140.00	C
Windstream Pennsylvania	401.06	140.00	C
Windstream Sugar Land	401.06	140.00	C
Windstream Georgia	401.06	140.00	C
Windstream Mississippi	401.06	140.00	C
Windstream Missouri	401.06	140.00	C
Windstream Oklahoma	401.06	140.00	C
Windstream South Carolina	401.06	140.00	C
Windstream Western Reserve	401.06	140.00	C
Windstream Alabama	401.06	140.00	C
Texas Windstream	401.06	140.00	C
Windstream Arkansas	401.06	140.00	C
Windstream Communications Kerrville	401.06	140.00	C
Windstream Ohio	401.06	140.00	C
Windstream Concord	401.06	140.00	C
Windstream Lexcom	401.06	140.00	C
Windstream Nebraska	401.06	230.04	C
Windstream Kentucky East - Lexington	401.06	250.00	C
Windstream Kentucky East - London	401.06	250.00	C
Valor Oklahoma	401.06	250.00	C
Valor New Mexico #1164	401.06	250.00	C
Valor New Mexico #1193	401.06	250.00	C
Valor Texas #1163	401.06	300.00	C
Valor Texas #1181	401.06	250.00	C
Windstream Iowa Communications #1167	401.06	250.00	C
Windstream Iowa Communications #1170,#1178	401.06	245.00	C
Windstream Lakedale, Inc. #1414	401.06	140.00	C
Windstream Lakedale, Inc. #1482	401.06	140.00	C
Windstream Georgia Telephone	401.06	390.00	C
Windstream Montezuma	401.06	390.00	C
Windstream Buffalo Valley	401.06	390.00	C
Windstream Conestoga	401.06	390.00	C
Windstream D&E	401.06	390.00	C

Effective: January 1, 2023

17. Rates and Charges (Cont'd)
- 17.1 Special Access Service (Cont'd)
- 17.1.7 Digital Data Service (Cont'd)
- (A) Channel Termination Per Termination (Cont'd)
- (2) 4.8 Kbps

<u>Filing Entity</u>	<u>Monthly Rate</u>	<u>Nonrecurring Charge</u>	
Windstream North Carolina, Inc.	\$ 401.06	\$ 140.00	C
Windstream Florida	401.06	140.00	C
Windstream GA. Communications Corp.	401.06	140.00	C
Georgia Windstream, Inc.	401.06	140.00	C
Windstream Kentucky	401.06	140.00	C
Windstream New York, Inc. - Fulton	401.06	140.00	C
Windstream New York, Inc. - Jamestown	401.06	140.00	C
Windstream New York, Inc. - Red Jacket	401.06	140.00	C
Oklahoma Windstream, Inc.	401.06	140.00	C
Windstream Pennsylvania	401.06	140.00	C
Windstream Sugar Land	401.06	140.00	C
Windstream Georgia	401.06	140.00	C
Windstream Mississippi	401.06	140.00	C
Windstream Missouri	401.06	140.00	C
Windstream Oklahoma	401.06	140.00	C
Windstream South Carolina	401.06	140.00	C
Windstream Western Reserve	401.06	140.00	C
Windstream Alabama	401.06	140.00	C
Texas Windstream	401.06	140.00	C
Windstream Arkansas	401.06	140.00	C
Windstream Communications Kerrville	401.06	140.00	C
Windstream Ohio	401.06	140.00	C
Windstream Concord	401.06	140.00	C
Windstream Lexcom	401.06	140.00	C
Windstream Nebraska	401.06	230.04	C
Windstream Kentucky East - Lexington	401.06	250.00	C
Windstream Kentucky East - London	401.06	250.00	C
Valor Oklahoma	401.06	250.00	C
Valor New Mexico #1164	401.06	250.00	C
Valor New Mexico #1193	401.06	250.00	C
Valor Texas #1163	401.06	300.00	C
Valor Texas #1181	401.06	250.00	C
Windstream Iowa Communications #1167	401.06	250.00	C
Windstream Iowa Communications #1170,#1178	401.06	245.00	C
Windstream Lakedale, Inc. #1414	401.06	140.00	C
Windstream Lakedale, Inc. #1482	401.06	140.00	C
Windstream Georgia Telephone	401.06	390.00	C
Windstream Montezuma	401.06	390.00	C
Windstream Buffalo Valley	401.06	390.00	C
Windstream Conestoga	401.06	390.00	C
Windstream D&E	401.06	390.00	C

Effective: January 1, 2023

17. Rates and Charges (Cont'd)
- 17.1 Special Access Service (Cont'd)
- 17.1.7 Digital Data Service (Cont'd)
- (A) Channel Termination Per Termination (Cont'd)
- (3) 9.6 Kpbs

<u>Filing Entity</u>	<u>Monthly Rate</u>	<u>Nonrecurring Charge</u>	
Windstream North Carolina, Inc.	\$ 401.06	\$ 140.00	C
Windstream Florida	401.06	140.00	C
Windstream GA. Communications Corp.	401.06	140.00	C
Georgia Windstream, Inc.	401.06	140.00	C
Windstream Kentucky	401.06	140.00	C
Windstream New York, Inc. - Fulton	401.06	140.00	C
Windstream New York, Inc. - Jamestown	401.06	140.00	C
Windstream New York, Inc. - Red Jacket	401.06	140.00	C
Oklahoma Windstream, Inc.	401.06	140.00	C
Windstream Pennsylvania	401.06	140.00	C
Windstream Sugar Land	401.06	140.00	C
Windstream Georgia	401.06	140.00	C
Windstream Mississippi	401.06	140.00	C
Windstream Missouri	401.06	140.00	C
Windstream Oklahoma	401.06	140.00	C
Windstream South Carolina	401.06	140.00	C
Windstream Western Reserve	401.06	140.00	C
Windstream Alabama	401.06	140.00	C
Texas Windstream	401.06	140.00	C
Windstream Arkansas	401.06	140.00	C
Windstream Communications Kerrville	401.06	140.00	C
Windstream Ohio	401.06	140.00	C
Windstream Concord	401.06	140.00	C
Windstream Lexcom	401.06	140.00	C
Windstream Nebraska	401.06	230.04	C
Windstream Kentucky East - Lexington	401.06	250.00	C
Windstream Kentucky East - London	401.06	250.00	C
Valor Oklahoma	401.06	250.00	C
Valor New Mexico #1164	401.06	250.00	C
Valor New Mexico #1193	401.06	250.00	C
Valor Texas #1163	401.06	300.00	C
Valor Texas #1181	401.06	250.00	C
Windstream Iowa Communications #1167	401.06	250.00	C
Windstream Iowa Communications #1170,#1178	401.06	245.00	C
Windstream Lakedale, Inc. #1414	401.06	140.00	C
Windstream Lakedale, Inc. #1482	401.06	140.00	C
Windstream Georgia Telephone	401.06	390.00	C
Windstream Montezuma	401.06	390.00	C
Windstream Buffalo Valley	401.06	390.00	C
Windstream Conestoga	401.06	390.00	C
Windstream D&E	401.06	390.00	C

Effective: January 1, 2023

17. Rates and Charges (Cont'd)
- 17.1 Special Access Service (Cont'd)
- 17.1.7 Digital Data Service (Cont'd)
- (A) Channel Termination Per Termination (Cont'd)
- (4) 19.2 Kbps

<u>Filing Entity</u>	<u>Monthly Rate</u>	<u>Nonrecurring Charge</u>	
Windstream North Carolina, Inc.	\$ 401.06	\$ 140.00	C
Windstream Florida	401.06	140.00	C
Windstream GA. Communications Corp.	401.06	140.00	C
Georgia Windstream, Inc.	401.06	140.00	C
Windstream Kentucky	401.06	140.00	C
Windstream New York, Inc. - Fulton	401.06	140.00	C
Windstream New York, Inc. - Jamestown	401.06	140.00	C
Windstream New York, Inc. - Red Jacket	401.06	140.00	C
Oklahoma Windstream, Inc.	401.06	140.00	C
Windstream Pennsylvania	401.06	140.00	C
Windstream Sugar Land	401.06	140.00	C
Windstream Georgia	401.06	140.00	C
Windstream Mississippi	401.06	140.00	C
Windstream Missouri	401.06	140.00	C
Windstream Oklahoma	401.06	140.00	C
Windstream South Carolina	401.06	140.00	C
Windstream Western Reserve	401.06	140.00	C
Windstream Alabama	401.06	140.00	C
Texas Windstream	401.06	140.00	C
Windstream Arkansas	401.06	140.00	C
Windstream Communications Kerrville	401.06	140.00	C
Windstream Ohio	401.06	140.00	C
Windstream Concord	401.06	140.00	C
Windstream Lexcom	401.06	140.00	C
Windstream Nebraska	401.06	230.04	C
Windstream Kentucky East - Lexington	401.06	250.00	C
Windstream Kentucky East - London	401.06	250.00	C
Valor Oklahoma	401.06	250.00	C
Valor New Mexico #1164	401.06	250.00	C
Valor New Mexico #1193	401.06	250.00	C
Valor Texas #1163	401.06	300.00	C
Valor Texas #1181	401.06	250.00	C
Windstream Iowa Communications #1167	401.06	250.00	C
Windstream Iowa Communications #1170,#1178	401.06	245.00	C
Windstream Lakedale, Inc. #1414	401.06	140.00	C
Windstream Lakedale, Inc. #1482	401.06	140.00	C
Windstream Georgia Telephone	401.06	390.00	C
Windstream Montezuma	401.06	390.00	C
Windstream Buffalo Valley	401.06	390.00	C
Windstream Conestoga	401.06	390.00	C
Windstream D&E	401.06	390.00	C

Effective: January 1, 2023

17. Rates and Charges (Cont'd)17.1 Special Access Service (Cont'd)17.1.7 Digital Data Service (Cont'd)(A) Channel Termination Per Termination (Cont'd)

(5) 56.0 Kbps

<u>Filing Entity</u>	<u>Monthly Rate</u>	<u>Nonrecurring Charge</u>	
Windstream North Carolina, Inc.	\$ 401.06	\$ 140.00	C
Windstream Florida	401.06	140.00	C
Windstream GA. Communications Corp.	401.06	140.00	C
Georgia Windstream, Inc.	401.06	140.00	C
Windstream Kentucky	401.06	140.00	C
Windstream New York, Inc. - Fulton	401.06	140.00	C
Windstream New York, Inc. - Jamestown	401.06	140.00	C
Windstream New York, Inc. - Red Jacket	401.06	140.00	C
Oklahoma Windstream, Inc.	401.06	140.00	C
Windstream Pennsylvania	401.06	140.00	C
Windstream Sugar Land	401.06	140.00	C
Windstream Georgia	401.06	140.00	C
Windstream Mississippi	401.06	140.00	C
Windstream Missouri	401.06	140.00	C
Windstream Oklahoma	401.06	140.00	C
Windstream South Carolina	401.06	140.00	C
Windstream Western Reserve	401.06	140.00	C
Windstream Alabama	401.06	140.00	C
Texas Windstream	401.06	140.00	C
Windstream Arkansas	401.06	140.00	C
Windstream Communications Kerrville	401.06	140.00	C
Windstream Ohio	401.06	140.00	C
Windstream Concord	401.06	140.00	C
Windstream Lexcom	401.06	140.00	C
Windstream Nebraska	401.06	230.04	C
Windstream Kentucky East - Lexington	401.06	250.00	C
Windstream Kentucky East - London	401.06	250.00	C
Valor Oklahoma	401.06	250.00	C
Valor New Mexico #1164	401.06	250.00	C
Valor New Mexico #1193	401.06	250.00	C
Valor Texas #1163	401.06	300.00	C
Valor Texas #1181	401.06	250.00	C
Windstream Iowa Communications #1167	401.06	250.00	C
Windstream Iowa Communications #1170,#1178	401.06	245.00	C
Windstream Lakedale, Inc. #1414	401.06	140.00	C
Windstream Lakedale, Inc. #1482	401.06	140.00	C
Windstream Georgia Telephone	401.06	390.00	C
Windstream Montezuma	401.06	390.00	C
Windstream Buffalo Valley	401.06	390.00	C
Windstream Conestoga	401.06	390.00	C
Windstream D&E	401.06	390.00	C

Effective: January 1, 2023

17. Rates and Charges (Cont'd)17.1 Special Access Service (Cont'd)17.1.7 Digital Data Service (Cont'd)(A) Channel Termination Per Termination (Cont'd)

(6) 64.0 Kbps

<u>Filing Entity</u>	<u>Monthly Rate</u>	<u>Nonrecurring Charge</u>	
Windstream North Carolina, Inc.	\$ 401.06	\$ 140.00	C
Windstream Florida	401.06	140.00	C
Windstream GA. Communications Corp.	401.06	140.00	C
Georgia Windstream, Inc.	401.06	140.00	C
Windstream Kentucky	401.06	140.00	C
Windstream New York, Inc. - Fulton	401.06	140.00	C
Windstream New York, Inc. - Jamestown	401.06	140.00	C
Windstream New York, Inc. - Red Jacket	401.06	140.00	C
Oklahoma Windstream, Inc.	401.06	140.00	C
Windstream Pennsylvania	401.06	140.00	C
Windstream Sugar Land	401.06	140.00	C
Windstream Georgia	401.06	140.00	C
Windstream Mississippi	401.06	140.00	C
Windstream Missouri	401.06	140.00	C
Windstream Oklahoma	401.06	140.00	C
Windstream South Carolina	401.06	140.00	C
Windstream Western Reserve	401.06	140.00	C
Windstream Alabama	401.06	140.00	C
Texas Windstream	401.06	140.00	C
Windstream Arkansas	401.06	140.00	C
Windstream Communications Kerrville	401.06	140.00	C
Windstream Ohio	401.06	140.00	C
Windstream Concord	401.06	140.00	C
Windstream Lexcom	401.06	140.00	C
Windstream Nebraska	401.06	230.04	C
Windstream Kentucky East - Lexington	401.06	250.00	C
Windstream Kentucky East - London	401.06	250.00	C
Valor Oklahoma	401.06	250.00	C
Valor New Mexico #1164	401.06	250.00	C
Valor New Mexico #1193	401.06	250.00	C
Valor Texas #1163	401.06	300.00	C
Valor Texas #1181	401.06	250.00	C
Windstream Iowa Communications #1167	401.06	250.00	C
Windstream Lakedale, Inc. #1414	401.06	140.00	C
Windstream Lakedale, Inc. #1482	401.06	140.00	C
Windstream Georgia Telephone	401.06	390.00	C
Windstream Montezuma	401.06	390.00	C
Windstream Buffalo Valley	401.06	390.00	C
Windstream Conestoga	401.06	390.00	C
Windstream D&E	401.06	390.00	C

Effective: January 1, 2023

17. Rates and Charges (Cont'd)
 17.1 Special Access Service (Cont'd)
 17.1.7 Digital Data Service (Cont'd)

- (B) Channel Mileage
 (1) 2.4 Kbps

<u>Filing Entity</u>	<u>Facility Per Mile</u>	<u>Termination Per Termination</u>
Windstream North Carolina, Inc.	\$ 26.74	\$ 267.38 C
Windstream Florida	26.74	267.38 C
Windstream GA. Communications Corp.	26.74	267.38 C
Georgia Windstream, Inc.	26.74	267.38 C
Windstream Kentucky	26.74	267.38 C
Windstream New York, Inc. - Fulton	26.74	267.38 C
Windstream New York, Inc. - Jamestown	26.74	267.38 C
Windstream New York, Inc. - Red Jacket	26.74	267.38 C
Oklahoma Windstream, Inc.	26.74	267.38 C
Windstream Pennsylvania	26.74	267.38 C
Windstream Sugar Land	26.74	267.38 C
Windstream Georgia	26.74	267.38 C
Windstream Mississippi	26.74	267.38 C
Windstream Missouri	26.74	267.38 C
Windstream Oklahoma	26.74	267.38 C
Windstream South Carolina	26.74	267.38 C
Windstream Western Reserve	26.74	267.38 C
Windstream Alabama	26.74	267.38 C
Texas Windstream	26.74	267.38 C
Windstream Arkansas	26.74	267.38 C
Windstream Standard	26.74	267.38 C
Windstream Communications Kerrville	26.74	267.38 C
Windstream Ohio	26.74	267.38 C
Windstream Concord	26.74	267.38 C
Windstream Lexcom	26.74	267.38 C
Windstream Nebraska	26.74	267.38 C
Windstream Kentucky East - Lexington	26.74	267.38 C
Windstream Kentucky East - London	26.74	267.38 C
Valor Oklahoma	26.74	267.38 C
Valor New Mexico #1164	26.74	267.38 C
Valor New Mexico #1193	26.74	267.38 C
Valor Texas #1163	26.74	267.38 C
Valor Texas #1181	26.74	267.38 C
Windstream Iowa Communications #1167	26.74	267.38 C
Windstream Iowa Communications #1170, #1178	26.74	267.38 C
Windstream Lakedale, Inc. #1414	26.74	267.38 C
Windstream Lakedale, Inc. #1482	26.74	267.38 C
Windstream Georgia Telephone	26.74	267.38 C
Windstream Montezuma	26.74	267.38 C
Windstream Buffalo Valley	26.74	267.38 C
Windstream Conestoga	26.74	267.38 C
Windstream D&E	26.74	267.38 C
Windstream Accucom	26.74	267.38 C

Effective: January 1, 2023

17. Rates and Charges (Cont'd)
 17.1 Special Access Service (Cont'd)
 17.1.7 Digital Data Service (Cont'd)

- (B) Channel Mileage (Cont'd)
 (2) 4.8 Kbps

<u>Filing Entity</u>	<u>Facility Per Mile</u>	<u>Termination Per Termination</u>	
Windstream North Carolina, Inc.	\$ 26.74	\$ 267.38	C
Windstream Florida	26.74	267.38	C
Windstream GA. Communications Corp. Georgia Windstream, Inc.	26.74	267.38	C
Windstream Kentucky	26.74	267.38	C
Windstream New York, Inc. - Fulton	26.74	267.38	C
Windstream New York, Inc. - Jamestown	26.74	267.38	C
Windstream New York, Inc. - Red Jacket	26.74	267.38	C
Oklahoma Windstream, Inc.	26.74	267.38	C
Windstream Pennsylvania	26.74	267.38	C
Windstream Sugar Land	26.74	267.38	C
Windstream Georgia	26.74	267.38	C
Windstream Mississippi	26.74	267.38	C
Windstream Missouri	26.74	267.38	C
Windstream Oklahoma	26.74	267.38	C
Windstream South Carolina	26.74	267.38	C
Windstream Western Reserve	26.74	267.38	C
Windstream Alabama	26.74	267.38	C
Texas Windstream	26.74	267.38	C
Windstream Arkansas	26.74	267.38	C
Windstream Standard	26.74	267.38	C
Windstream Communications Kerrville	26.74	267.38	C
Windstream Ohio	26.74	267.38	C
Windstream Concord	26.74	267.38	C
Windstream Lexcom	26.74	267.38	C
Windstream Nebraska	26.74	267.38	C
Windstream Kentucky East - Lexington	26.74	267.38	C
Windstream Kentucky East - London	26.74	267.38	C
Valor Oklahoma	26.74	267.38	C
Valor New Mexico #1164	26.74	267.38	C
Valor New Mexico #1193	26.74	267.38	C
Valor Texas #1163	26.74	267.38	C
Valor Texas #1181	26.74	267.38	C
Windstream Iowa Communications #1167	26.74	267.38	C
Windstream Iowa Communications #1170,#1178	26.74	267.38	C
Windstream Lakedale, Inc. #1414	26.74	267.38	C
Windstream Lakedale, Inc. #1482	26.74	267.38	C
Windstream Georgia Telephone	26.74	267.38	C
Windstream Montezuma	26.74	267.38	C
Windstream Buffalo Valley	26.74	267.38	C
Windstream Conestoga	26.74	267.38	C
Windstream D&E	26.74	267.38	C
Windstream Accucom	26.74	267.38	C

Effective: January 1, 2023

17. Rates and Charges (Cont'd)
 17.1 Special Access Service (Cont'd)
 17.1.7 Digital Data Service (Cont'd)

- (B) Channel Mileage (Cont'd)
 (3) 9.6 Kbps

<u>Filing Entity</u>	<u>Facility Per Mile</u>	<u>Termination Per Termination</u>	
Windstream North Carolina, Inc.	\$ 26.74	\$ 267.38	C
Windstream Florida	26.74	267.38	C
Windstream GA. Communications Corp.	26.74	267.38	C
Georgia Windstream, Inc.	26.74	267.38	C
Windstream Kentucky	26.74	267.38	C
Windstream New York, Inc. - Fulton	26.74	267.38	C
Windstream New York, Inc. - Jamestown	26.74	267.38	C
Windstream New York, Inc. - Red Jacket	26.74	267.38	C
Oklahoma Windstream, Inc.	26.74	267.38	C
Windstream Pennsylvania	26.74	267.38	C
Windstream Sugar Land	26.74	267.38	C
Windstream Georgia	26.74	267.38	C
Windstream Mississippi	26.74	267.38	C
Windstream Missouri	26.74	267.38	C
Windstream Oklahoma	26.74	267.38	C
Windstream South Carolina	26.74	267.38	C
Windstream Western Reserve	26.74	267.38	C
Windstream Alabama	26.74	267.38	C
Texas Windstream	26.74	267.38	C
Windstream Arkansas	26.74	267.38	C
Windstream Standard	26.74	267.38	C
Windstream Communications Kerrville	26.74	267.38	C
Windstream Ohio	26.74	267.38	C
Windstream Concord	26.74	267.38	C
Windstream Lexcom	26.74	267.38	C
Windstream Nebraska	26.74	267.38	C
Windstream Kentucky East - Lexington	26.74	267.38	C
Windstream Kentucky East - London	26.74	267.38	C
Valor Oklahoma	26.74	267.38	C
Valor New Mexico #1164	26.74	267.38	C
Valor New Mexico #1193	26.74	267.38	C
Valor Texas #1163	26.74	267.38	C
Valor Texas #1181	26.74	267.38	C
Windstream Iowa Communications #1167	26.74	267.38	C
Windstream Iowa Communications #1170, #1178	26.74	267.38	C
Windstream Lakedale, Inc. #1414	26.74	267.38	C
Windstream Lakedale, Inc. #1482	26.74	267.38	C
Windstream Georgia Telephone	26.74	267.38	C
Windstream Montezuma	26.74	267.38	C
Windstream Buffalo Valley	26.74	267.38	C
Windstream Conestoga	26.74	267.38	C
Windstream D&E	26.74	267.38	C
Windstream Accucom	26.74	267.38	C

Effective: January 1, 2023

17. Rates and Charges (Cont'd)
- 17.1 Special Access Service (Cont'd)
- 17.1.7 Digital Data Service (Cont'd)

- (B) Channel Mileage (Cont'd)
- (4) 19.2 Kbps

Filing Entity	Facility Per Mile	Termination Per Termination	
Windstream North Carolina, Inc.	\$ 26.74	\$ 267.38	C
Windstream Florida	26.74	267.38	C
Windstream GA. Communications Corp.	26.74	267.38	C
Georgia Windstream, Inc.	26.74	267.38	C
Windstream Kentucky	26.74	267.38	C
Windstream New York, Inc. - Fulton	26.74	267.38	C
Windstream New York, Inc. - Jamestown	26.74	267.38	C
Windstream New York, Inc. - Red Jacket	26.74	267.38	C
Oklahoma Windstream, Inc.	26.74	267.38	C
Windstream Pennsylvania	26.74	267.38	C
Windstream Sugar Land	26.74	267.38	C
Windstream Georgia	26.74	267.38	C
Windstream Mississippi	26.74	267.38	C
Windstream Missouri	26.74	267.38	C
Windstream Oklahoma	26.74	267.38	C
Windstream South Carolina	26.74	267.38	C
Windstream Western Reserve	26.74	267.38	C
Windstream Alabama	26.74	267.38	C
Texas Windstream	26.74	267.38	C
Windstream Arkansas	26.74	267.38	C
Windstream Standard	26.74	267.38	C
Windstream Communications Kerrville	26.74	267.38	C
Windstream Ohio	26.74	267.38	C
Windstream Concord	26.74	267.38	C
Windstream Lexcom	26.74	267.38	C
Windstream Nebraska	26.74	267.38	C
Windstream Kentucky East - Lexington	26.74	267.38	C
Windstream Kentucky East - London	26.74	267.38	C
Valor Oklahoma	26.74	267.38	C
Valor New Mexico #1164	26.74	267.38	C
Valor New Mexico #1193	26.74	267.38	C
Valor Texas #1163	26.74	267.38	C
Valor Texas #1181	26.74	267.38	C
Windstream Iowa Communications #1167	26.74	267.38	C
Windstream Iowa Communications #1170, #1178	26.74	267.38	C
Windstream Lakedale, Inc. #1414	26.74	267.38	C
Windstream Lakedale, Inc. #1482	26.74	267.38	C
Windstream Georgia Telephone	26.74	267.38	C
Windstream Montezuma	26.74	267.38	C
Windstream Buffalo Valley	26.74	267.38	C
Windstream Conestoga	26.74	267.38	C
Windstream D&E	26.74	267.38	C
Windstream Accucom	26.74	267.38	C

Effective: January 1, 2023

17. Rates and Charges (Cont'd)
- 17.1 Special Access Service (Cont'd)
- 17.1.7 Digital Data Service (Cont'd)

- (B) Channel Mileage (Cont'd)
- (5) 56.0 Kbps

<u>Filing Entity</u>	<u>Facility Per Mile</u>	<u>Termination Per Termination</u>	
Windstream North Carolina, Inc.	\$ 26.74	\$ 267.38	C
Windstream Florida	26.74	267.38	C
Windstream GA. Communications Corp.	26.74	267.38	C
Georgia Windstream, Inc.	26.74	267.38	C
Windstream Kentucky	26.74	267.38	C
Windstream New York, Inc. - Fulton	26.74	267.38	C
Windstream New York, Inc. - Jamestown	26.74	267.38	C
Windstream New York, Inc. - Red Jacket	26.74	267.38	C
Oklahoma Windstream, Inc.	26.74	267.38	C
Windstream Pennsylvania	26.74	267.38	C
Windstream Sugar Land	26.74	267.38	C
Windstream Georgia	26.74	267.38	C
Windstream Mississippi	26.74	267.38	C
Windstream Missouri	26.74	267.38	C
Windstream Oklahoma	26.74	267.38	C
Windstream South Carolina	26.74	267.38	C
Windstream Western Reserve	26.74	267.38	C
Windstream Alabama	26.74	267.38	C
Texas Windstream	26.74	267.38	C
Windstream Arkansas	26.74	267.38	C
Windstream Standard	26.74	267.38	C
Windstream Communications Kerrville	26.74	267.38	C
Windstream Ohio	26.74	267.38	C
Windstream Concord	26.74	267.38	C
Windstream Lexcom	26.74	267.38	C
Windstream Nebraska	26.74	267.38	C
Windstream Kentucky East - Lexington	26.74	267.38	C
Windstream Kentucky East - London	26.74	267.38	C
Valor Oklahoma	26.74	267.38	C
Valor New Mexico #1164	26.74	267.38	C
Valor New Mexico #1193	26.74	267.38	C
Valor Texas #1163	26.74	267.38	C
Valor Texas #1181	26.74	267.38	C
Windstream Iowa Communications #1167	26.74	267.38	C
Windstream Iowa Communications #1170, #1178	26.74	267.38	C
Windstream Lakedale, Inc. #1414	26.74	267.38	C
Windstream Lakedale, Inc. #1482	26.74	267.38	C
Windstream Georgia Telephone	26.74	267.38	C
Windstream Montezuma	26.74	267.38	C
Windstream Buffalo Valley	26.74	267.38	C
Windstream Conestoga	26.74	267.38	C
Windstream D&E	26.74	267.38	C
Windstream Accucom	26.74	267.38	C

Effective: January 1, 2023

17. Rates and Charges (Cont'd)
 17.1 Special Access Service (Cont'd)
 17.1.7 Digital Data Service (Cont'd)

(B) Channel Mileage (Cont'd)

(6) 64.0 Kbps

<u>Filing Entity</u>	<u>Facility Per Mile</u>	<u>Termination Per Termination</u>	
Windstream North Carolina, Inc.	\$ 26.74	\$ 267.38	C
Windstream Florida	26.74	267.38	C
Windstream GA. Communications Corp.	26.74	267.38	C
Georgia Windstream, Inc.	26.74	267.38	C
Windstream Kentucky	26.74	267.38	C
Windstream New York, Inc. - Fulton	26.74	267.38	C
Windstream New York, Inc. - Jamestown	26.74	267.38	C
Windstream New York, Inc. - Red Jacket	26.74	267.38	C
Oklahoma Windstream, Inc.	26.74	267.38	C
Windstream Pennsylvania	26.74	267.38	C
Windstream Sugar Land	26.74	267.38	C
Windstream Georgia	26.74	267.38	C
Windstream Mississippi	26.74	267.38	C
Windstream Missouri	26.74	267.38	C
Windstream Oklahoma	26.74	267.38	C
Windstream South Carolina	26.74	267.38	C
Windstream Western Reserve	26.74	267.38	C
Windstream Alabama	26.74	267.38	C
Texas Windstream	26.74	267.38	C
Windstream Arkansas	26.74	267.38	C
Windstream Standard	26.74	267.38	C
Windstream Communications Kerrville	26.74	267.38	C
Windstream Ohio	26.74	267.38	C
Windstream Concord	26.74	267.38	C
Windstream Lexcom	26.74	267.38	C
Windstream Nebraska	26.74	267.38	C
Windstream Kentucky East - Lexington	26.74	267.38	C
Windstream Kentucky East - London	26.74	267.38	C
Valor Oklahoma	26.74	267.38	C
Valor New Mexico #1164	26.74	267.38	C
Valor New Mexico #1193	26.74	267.38	C
Valor Texas #1163	26.74	267.38	C
Valor Texas #1181	26.74	267.38	C
Windstream Iowa Communications #1167	26.74	267.38	C
Windstream Lakedale, Inc. #1414	26.74	267.38	C
Windstream Lakedale, Inc. #1482	26.74	267.38	C
Windstream Georgia Telephone	26.74	267.38	C
Windstream Montezuma	26.74	267.38	C
Windstream Buffalo Valley	26.74	267.38	C
Windstream Conestoga	26.74	267.38	C
Windstream D&E	26.74	267.38	C
Windstream Accucom	26.74	267.38	C

Effective: January 1, 2023

17. Rates and Charges (Cont'd)
 17.1 Special Access Service (Cont'd)
 17.1.7 Digital Data Service (Cont'd)

(C) Optional Features and Functions

Rates applicable for companies listed in 17.1.7(A).

(1) Bridging per port

<u>Filing Entity</u>	<u>Monthly Rate</u>
Windstream North Carolina, Inc.	\$5.80
Windstream Florida	\$5.80
Windstream GA. Communications Corp.	\$5.80
Georgia Windstream, Inc.	\$5.80
Windstream Kentucky	\$5.80
Windstream NY, Inc. - Fulton	\$5.80
Windstream NY, Inc. - Jamestown	\$5.80
Windstream NY, Inc. - Red Jacket	\$5.80
Oklahoma Windstream, Inc.	\$5.80
Windstream Pennsylvania	\$5.80
Windstream Sugar Land	\$5.80
Windstream Georgia	\$5.80
Windstream Mississippi	\$5.80
Windstream Missouri	\$5.80
Windstream Oklahoma	\$5.80
Windstream South Carolina	\$5.80
Windstream Western Reserve	\$5.80
Windstream Alabama	\$5.80
Texas Windstream	\$5.80
Windstream Arkansas	\$5.80
Windstream Standard	\$5.80
Windstream Communications Kerrville	\$5.80
Windstream Ohio	\$5.80
Windstream Concord	\$5.80
Windstream Lexcom	\$5.80
Windstream Nebraska	\$25.18
Windstream Kentucky East - Lexington	\$11.00
Windstream Kentucky East - London	\$11.00
Valor Oklahoma	\$11.00
Valor New Mexico #1164	\$11.00
Valor New Mexico #1193	\$11.00
Valor Texas #1163	\$13.50
Valor Texas # 1181	\$13.50
Windstream Iowa Communications #1167	\$11.00
Windstream Iowa Communications #1170,#1178	\$11.00
Windstream Lakedale, Inc. #1414	\$5.80
Windstream Lakedale, Inc. #1482	\$5.80
Windstream Georgia Telephone	\$6.50
Windstream Montezuma	\$6.50
Windstream Buffalo Valley	\$6.50
Windstream Conestoga	\$6.50
Windstream D&E	\$6.50

Effective: January 1, 2023

- 17. Rates and Charges (Cont'd)
- 17.1 Special Access Service (Cont'd)
- 17.1.7 Digital Data Service (Cont'd)

(C) Optional Features and Functions (Cont'd)

Rates applicable for companies listed in 17.1.7(A).

- (2) Loop Transfer Arrangement
Per four port arrangement*
Key activated** or Dial-Up***

<u>Filing Entity</u>	<u>Monthly Rate</u>
Windstream Sugar Land	\$6.62
Valor New Mexico #1193	5.96
Valor Texas # 1181	5.96
Windstream Iowa Communications #1170, #1178	5.96
Windstream Georgia Telephone	\$4.34
Windstream Montezuma	\$4.34
Windstream Buffalo Valley	\$4.34
Windstream Conestoga	\$4.34
Windstream D&E	\$4.34
Windstream Accucom	\$4.34

- (3) Secondary Channel

<u>Filing Entity</u>	
Windstream Kentucky East - Lexington	\$ 7.00
Valor Oklahoma	7.00
Valor New Mexico #1164	7.00
Valor New Mexico #1193	11.00
Valor Texas #1163	7.00
Valor Texas # 1181	7.00

- (4) Digital Data Carrier Multiplexer

<u>Filing Entity</u>	<u>Monthly Rate</u>	<u>Nonrecurring Charge</u>
Windstream Kentucky East - Lexington	\$550.00	\$1500.00
Valor Oklahoma	550.00	1500.00
Valor New Mexico #1164	550.00	1500.00
Valor New Mexico #1193	550.00	1500.00
Valor Texas #1163	550.00	1500.00
Valor Texas # 1181	550.00	1500.00
Windstream Iowa Communications #1167	275.00	1500.00

* An additional channel termination charge will apply whenever a spare channel is configured as a leg to a customer designated premises. Additional channel Mileage charges will also apply when the transfer arrangement is not located in the customer designated premises serving wire center.

** The key activated control channel is rated as a Telegraph Channel Termination and Channel Mileage, if applicable.

*** The Dial-Up option requires the customer to purchase the Controller Arrangement from 13.3.4 preceding

Effective: January 1, 2023

17. Rates and Charges (Cont'd)
 17.1 Special Access Service (Cont'd)
 17.1.7 Digital Data Service (Cont'd)

(D) Channel Service Unit

- Per Termination****

Filing Entity	2.4 Kbps	4.8, 9.6, 19.2 Kbps	56.0 Kbps
Windstream North Carolina, Inc.	\$12.70	\$12.70	\$12.70
Windstream Florida	\$12.70	\$12.70	\$12.70
Windstream GA. Communications Corp.	\$12.70	\$12.70	\$12.70
Georgia Windstream, Inc.	\$12.70	\$12.70	\$12.70
Windstream Kentucky	\$12.70	\$12.70	\$12.70
Windstream NY, Inc. - Fulton	\$12.70	\$12.70	\$12.70
Windstream NY, Inc. - Jamestown	\$12.70	\$12.70	\$12.70
Windstream NY, Inc. - Red Jacket	\$12.70	\$12.70	\$12.70
Oklahoma Windstream, Inc.	\$12.70	\$12.70	\$12.70
Windstream Pennsylvania	\$12.70	\$12.90	\$12.90
Windstream Sugar Land	\$12.70	\$12.70	\$12.70
Windstream Georgia	\$12.70	\$12.70	\$12.70
Windstream Mississippi	\$12.70	\$12.70	\$12.70
Windstream Missouri	\$12.70	\$12.70	\$12.70
Windstream Oklahoma	\$12.70	\$12.70	\$12.70
Windstream South Carolina	\$12.70	\$12.70	\$12.70
Windstream Western Reserve	\$12.70	\$12.70	\$12.70
Windstream Alabama	\$12.70	\$12.70	\$12.70
Texas Windstream	\$12.70	\$12.70	\$12.70
Windstream Arkansas	\$12.70	\$12.70	\$12.70
Windstream Standard	\$12.70	\$12.70	\$12.70
Windstream Communications Kerrville	\$12.70	\$12.70	\$12.70
Windstream Ohio	\$12.70	\$12.70	\$12.70
Windstream Concord	\$12.70	\$12.70	\$12.70
Windstream Lexcom	\$12.70	\$12.70	\$12.70
Windstream Lakedale, Inc. #1414	\$12.70	\$12.70	\$12.70
Windstream Lakedale, Inc. #1482	\$12.70	\$12.70	\$12.70
Windstream Georgia Telephone	\$21.66	\$21.66	\$21.66
Windstream Montezuma	\$21.66	\$21.66	\$21.66
Windstream Buffalo Valley	\$21.66	\$21.66	\$21.66
Windstream Conestoga	\$21.66	\$21.66	\$21.66
Windstream D&E	\$21.66	\$21.66	\$21.66
Windstream Accucom	\$21.66	\$21.66	\$21.66

Effective: January 1, 2023

17. Rates and Charges (Cont'd)17.1 Special Access Service (Cont'd)17.1.8 High Capacity Service

Regulations concerning High Capacity Service are set forth in 7.10 preceding.

(A) Channel Termination Per Termination

(1) 1.544 Mbps

<u>Filing Entity</u>	<u>Monthly Rate</u>	<u>Nonrecurring Charge</u>	
Windstream North Carolina, Inc.	\$ 1604.25	\$ 303.00	C
Windstream Florida	1604.25	303.00	C
Windstream GA. Communications Corp.	1604.25	303.00	C
Georgia Windstream, Inc.	1604.25	303.00	C
Windstream Kentucky	1604.25	303.00	C
Windstream New York, Inc. - Fulton	1604.25	303.00	C
Windstream New York, Inc. - Jamestown	1604.25	303.00	C
Windstream New York, Inc. - Red Jacket	1604.25	303.00	C
Oklahoma Windstream, Inc.	1604.25	303.00	C
Windstream Pennsylvania	1604.25	303.00	C
Windstream Sugar Land	1604.25	303.00	C
Windstream Georgia	1604.25	303.00	C
Windstream Mississippi	1604.25	303.00	C
Windstream Missouri	1604.25	303.00	C
Windstream Oklahoma	1604.25	303.00	C
Windstream South Carolina	1604.25	303.00	C
Windstream Western Reserve	1604.25	303.00	C
Windstream Alabama	1604.25	303.00	C
Texas Windstream	1604.25	303.00	C
Windstream Arkansas	1604.25	303.00	C
Windstream Communications Kerrville	1604.25	303.00	C
Windstream Ohio	1604.25	303.00	C
Windstream Concord	1604.25	303.00	C
Windstream Lexcom	1604.25	303.00	C
Windstream Nebraska	1604.25	474.00	C
Windstream Kentucky East - Lexington	1604.25	450.00	C
Windstream Kentucky East - London	1604.25	450.00	C
Valor Oklahoma	1604.25	254.00	C
Valor New Mexico #1164	1604.25	245.00	C
Valor New Mexico #1193	1604.25	245.00	C
Valor Texas #1163	1604.25	245.00	C
Valor Texas #1181	1604.25	245.00	C
Windstream Iowa Communications #1167	1604.25	350.00	C
Windstream Iowa Communications #1170,#1178	1604.25	350.00	C
Windstream Lakedale, Inc. #1414	1604.25	303.00	C
Windstream Lakedale, Inc. #1482	1604.25	303.00	C
Windstream Georgia Telephone	1604.25	330.00	C
Windstream Montezuma	1604.25	330.00	C
Windstream Buffalo Valley	1604.25	330.00	C
Windstream Conestoga	1604.25	330.00	C
Windstream D&E	1604.25	330.00	C
Windstream Accucom	1604.25	330.00	C

Effective: January 1, 2023

4001 Rodney Parham Rd.
Little Rock, AR 72212

17. Rates and Charges (Cont'd)17.1 Special Access Service (Cont'd)17.1.8 High Capacity Service (Cont'd)(A) Channel Termination Per Termination (Cont'd)(2) 44.736 Mbps
- Electrical Capacity of 1 - Monthly

<u>Filing Entity</u>	<u>Monthly Rate</u>	<u>Nonrecurring Charge</u>
Windstream North Carolina, Inc.	\$ 8556.00	\$ 333.00
Windstream Florida	8556.00	333.00
Windstream GA. Communications Corp.	8556.00	333.00
Georgia Windstream, Inc.	8556.00	333.00
Windstream Kentucky	8556.00	333.00
Windstream New York, Inc. - Fulton	8556.00	333.00
Windstream New York, Inc. - Jamestown	8556.00	333.00
Windstream New York, Inc. - Red Jacket	8556.00	333.00
Oklahoma Windstream, Inc.	8556.00	333.00
Windstream Pennsylvania	8556.00	333.00
Windstream Sugar Land	8556.00	333.00
Windstream Georgia	8556.00	333.00
Windstream Mississippi	8556.00	333.00
Windstream Missouri	8556.00	333.00
Windstream Oklahoma	8556.00	333.00
Windstream South Carolina	8556.00	333.00
Windstream Western Reserve	8556.00	333.00
Windstream Alabama	8556.00	333.00
Texas Windstream	8556.00	333.00
Windstream Arkansas	8556.00	333.00
Windstream Communications Kerrville	8556.00	333.00
Windstream Ohio	8556.00	333.00
Windstream Concord	8556.00	333.00
Windstream Lexcom	8556.00	333.00
Windstream Nebraska	8556.00	430.00
Windstream Kentucky East - Lexington	8556.00	1000.00
Windstream Kentucky East - London	8556.00	1000.00
Valor Oklahoma	8556.00	900.00
Valor New Mexico #1164	8556.00	900.00
Valor New Mexico #1193	8556.00	900.00
Valor Texas #1163	8556.00	900.00
Valor Texas #1181	8556.00	900.00
Windstream Iowa Communications #1167	8556.00	1000.00
Windstream Iowa Communications #1170, #1178	8556.00	1000.00
Windstream Lakedale, Inc. #1414	8556.00	333.00
Windstream Lakedale, Inc. #1482	8556.00	333.00
Windstream Georgia Telephone	8556.00	445.00
Windstream Montezuma	8556.00	445.00
Windstream Buffalo Valley	8556.00	445.00
Windstream Conestoga	8556.00	445.00
Windstream D&E	8556.00	445.00
Windstream Accucom	8556.00	445.00

Effective: January 1, 2023

4001 Rodney Parham Rd.
Little Rock, AR 72212

17. Rates and Charges (Cont'd)
- 17.1 Special Access Service (Cont'd)
- 17.1.8 High Capacity Service (Cont'd)
- (A) Channel Termination Per Termination (Cont'd)
- (3) 44.736 Mbps (Cont'd)

- Optical Capacity of 1 - Monthly

<u>Filing Entity</u>	<u>Monthly Rate</u>	<u>Nonrecurring Charge</u>
Windstream North Carolina, Inc.	\$ 8556.00	\$ 333.00
Windstream Florida	8556.00	333.00
Windstream GA. Communications Corp.	8556.00	333.00
Georgia Windstream, Inc.	8556.00	333.00
Windstream Kentucky	8556.00	333.00
Windstream New York, Inc. - Fulton	8556.00	333.00
Windstream New York, Inc. - Jamestown	8556.00	333.00
Windstream New York, Inc. - Red Jacket	8556.00	333.00
Oklahoma Windstream, Inc.	8556.00	333.00
Windstream Pennsylvania	8556.00	333.00
Windstream Sugar Land	8556.00	333.00
Windstream Georgia	8556.00	333.00
Windstream Mississippi	8556.00	333.00
Windstream Missouri	8556.00	333.00
Windstream Oklahoma	8556.00	333.00
Windstream South Carolina	8556.00	333.00
Windstream Western Reserve	8556.00	333.00
Windstream Alabama	8556.00	333.00
Texas Windstream	8556.00	333.00
Windstream Arkansas	8556.00	333.00
Windstream Communications Kerrville	8556.00	333.00
Windstream Ohio	8556.00	333.00
Windstream Concord	8556.00	333.00
Windstream Lexcom	8556.00	333.00
Windstream Nebraska	8556.00	430.00
Windstream Kentucky East - Lexington	8556.00	1000.00
Windstream Kentucky East - London	8556.00	1000.00
Valor Oklahoma	8556.00	900.00
Valor New Mexico #1164	8556.00	900.00
Valor New Mexico #1193	8556.00	900.00
Valor Texas #1163	8556.00	900.00
Valor Texas #1181	8556.00	900.00
Windstream Lakedale, Inc. #1414	8556.00	333.00
Windstream Lakedale, Inc. #1414	8556.00	333.00
Windstream Georgia Telephone	8556.00	445.00
Windstream Montezuma	8556.00	445.00
Windstream Buffalo Valley	8556.00	445.00
Windstream Conestoga	8556.00	445.00
Windstream D&E	8556.00	445.00
Windstream Accucom	8556.00	445.00

Effective: January 1, 2023

4001 Rodney Parham Rd.
Little Rock, AR 72212

17. Rates and Charges (Cont'd)17.1 Special Access Service (Cont'd)17.1.8 High Capacity Service (Cont'd)(B) Channel Mileage (Cont'd)

(1) 1.544 Mbps

<u>Filing Entity</u>	<u>Facility Per Mile</u>	<u>Termination Per Termination</u>	
Windstream North Carolina, Inc.	\$ 133.69	\$ 401.06	C
Windstream Florida	133.69	401.06	C
Windstream GA. Communications Corp.	133.69	401.06	C
Georgia Windstream, Inc.	133.69	401.06	C
Windstream Kentucky	133.69	401.06	C
Windstream New York, Inc. - Fulton	133.69	401.06	C
Windstream New York, Inc. - Jamestown	133.69	401.06	C
Windstream New York, Inc. - Red Jacket	133.69	401.06	C
Oklahoma Windstream, Inc.	133.69	401.06	C
Windstream Pennsylvania	133.69	401.06	C
Windstream Sugar Land	133.69	401.06	C
Windstream Georgia	133.69	401.06	C
Windstream Mississippi	133.69	401.06	C
Windstream Missouri	133.69	401.06	C
Windstream Oklahoma	133.69	401.06	C
Windstream South Carolina	133.69	401.06	C
Windstream Western Reserve	133.69	401.06	C
Windstream Alabama	133.69	401.06	C
Texas Windstream	133.69	401.06	C
Windstream Arkansas	133.69	401.06	C
Windstream Standard	133.69	401.06	C
Windstream Communications Kerrville	133.69	401.06	C
Windstream Ohio	133.69	401.06	C
Windstream Concord	133.69	401.06	C
Windstream Lexcom	133.69	401.06	C
Windstream Nebraska - Zone 1	133.69	401.06	C
Windstream Nebraska - Zone 2	133.69	401.06	C
Windstream Nebraska - Zone 3	133.69	401.06	C
Windstream Kentucky East - Lexington	133.69	401.06	C
Windstream Kentucky East - London	133.69	401.06	C
Valor Oklahoma	133.69	401.06	C
Valor New Mexico #1164	133.69	401.06	C
Valor New Mexico #1193	133.69	401.06	C
Valor Texas #1163	133.69	401.06	C
Valor Texas #1181	133.69	401.06	C
Windstream Iowa Communications #1167	133.69	401.06	C
Windstream Iowa Communications #1170, #1178	133.69	401.06	C
Windstream Lakedale, Inc. #1414	133.69	401.06	C
Windstream Lakedale, Inc. #1482	133.69	401.06	C
Windstream Georgia Telephone	133.69	401.06	C
Windstream Montezuma	133.69	401.06	C
Windstream Buffalo Valley	133.69	401.06	C
Windstream Conestoga	133.69	401.06	C
Windstream D&E	133.69	401.06	C
Windstream Accucom	133.69	401.06	C

Effective: January 1, 2023

4001 Rodney Parham Rd.
Little Rock, AR 72212

17. Rates and Charges (Cont'd)
 17.1 Special Access Service (Cont'd)
 17.1.8 High Capacity Service (Cont'd)

(B) Channel Mileage (Cont'd)

(2) 44.736 Mbps

- Month to Month

<u>Filing Entity</u>	<u>Facility Per Mile</u>	<u>Termination Per Termination</u>	<u>Nonrecurring Charge</u>
Windstream North Carolina, Inc.	\$ 534.75	\$ 3030.25	\$
Windstream Florida	534.75	3030.25	
Windstream GA. Communications Corp.	534.75	3030.25	
Georgia Windstream, Inc.	534.75	3030.25	
Windstream Kentucky	534.75	3030.25	
Windstream New York, Inc. - Fulton	534.75	3030.25	
Windstream New York, Inc. - Jamestown	534.75	3030.25	
Windstream New York, Inc. - Red Jacket	534.75	3030.25	
Oklahoma Windstream, Inc.	534.75	3030.25	
Windstream Pennsylvania	534.75	3030.25	
Windstream Sugar Land	534.75	3030.25	
Windstream Georgia	534.75	3030.25	
Windstream Mississippi	534.75	3030.25	
Windstream Missouri	534.75	3030.25	
Windstream Oklahoma	534.75	3030.25	
Windstream South Carolina	534.75	3030.25	
Windstream Western Reserve	534.75	3030.25	
Windstream Alabama	534.75	3030.25	
Texas Windstream	534.75	3030.25	
Windstream Arkansas	534.75	3030.25	
Windstream Standard	534.75	3030.25	
Windstream Communications Kerrville	534.75	3030.25	
Windstream Ohio	534.75	3030.25	
Windstream Concord	534.75	3030.25	
Windstream Lexcom	534.75	3030.25	
Windstream Nebraska	534.75	3030.25	500.00
Windstream Kentucky East - Lexington	534.75	3030.25	
Windstream Kentucky East - London	534.75	3030.25	
Valor Oklahoma	534.75	3030.25	
Valor New Mexico #1164	534.75	3030.25	
Valor New Mexico #1193	534.75	3030.25	
Valor Texas #1163	534.75	3030.25	
Valor Texas #1181	534.75	3030.25	
Windstream Iowa Communications #1167	534.75	3030.25	
Windstream Iowa Communications #1170, #1178	534.75	3030.25	
Windstream Lakedale, Inc. #1414	534.75	3030.25	
Windstream Lakedale, Inc. #1482	534.75	3030.25	
Windstream Georgia Telephone	534.75	3030.25	
Windstream Montezuma	534.75	3030.25	
Windstream Buffalo Valley	534.75	3030.25	
Windstream Conestoga	534.75	3030.25	
Windstream D&E	534.75	3030.25	
Windstream Accucom	534.75	3030.25	

Effective: January 1, 2023

4001 Rodney Parham Rd.
Little Rock, AR 72212

17. Rates and Charges (Cont'd)
- 17.1 Special Access Service (Cont'd)
- 17.1.8 High Capacity Service (Cont'd)
- (C) Optional Features and Functions (Cont'd)
- (1) Multiplexing, per arrangement
- (a) DS3 to DS1

<u>Filing Entity</u>	<u>Monthly Rate</u>	<u>Nonrecurring Charge</u>
Windstream North Carolina, Inc.	\$ 2139.00	
Windstream Florida	2139.00	
Windstream GA. Communications Corp.	2139.00	
Georgia Windstream, Inc.	2139.00	
Windstream Kentucky	2139.00	
Windstream NY, Inc. - Fulton	2139.00	
Windstream NY, Inc. - Jamestown	2139.00	
Windstream NY, Inc. - Red Jacket	2139.00	
Oklahoma Windstream, Inc.	2139.00	
Windstream Pennsylvania	2139.00	
Windstream Sugar Land	2139.00	
Windstream Georgia	2139.00	
Windstream Mississippi	2139.00	
Windstream Missouri	2139.00	
Windstream Oklahoma	2139.00	
Windstream South Carolina	2139.00	
Windstream Western Reserve	2139.00	
Windstream Alabama	2139.00	
Texas Windstream	2139.00	
Windstream Arkansas	2139.00	
Windstream Standard	2139.00	
Windstream Communications Kerrville	2139.00	
Windstream Ohio	2139.00	
Windstream Concord	2139.00	
Windstream Lexcom	2139.00	
Windstream Nebraska	2139.00	
Windstream Kentucky East - Lexington	2139.00	\$ 450.00
Windstream Kentucky East - London	2139.00	
Valor Oklahoma	2139.00	495.00
Valor New Mexico #1164	2139.00	250.00
Valor New Mexico #1193	2139.00	250.00
Valor Texas #1163	2139.00	250.00
Valor Texas #1181	2139.00	250.00
Windstream Iowa Communications #1167	2139.00	450.00
Windstream Iowa Communications #1170, #1178	2139.00	450.00
Windstream Lakedale, Inc. #1414	2139.00	
Windstream Lakedale, Inc. #1482	2139.00	
Windstream Georgia Telephone	2139.00	
Windstream Montezuma	2139.00	
Windstream Buffalo Valley	2139.00	
Windstream Conestoga	2139.00	
Windstream D&E	2139.00	
Windstream Accucom	2139.00	

Effective: January 1, 2023

4001 Rodney Parham Rd.
Little Rock, AR 72212

17. Rates and Charges (Cont'd)
- 17.1 Special Access Service (Cont'd)
- 17.1.8 High Capacity Service (Cont'd)
- (C) Optional Features and Functions (Cont'd)
- (1) Multiplexing, per arrangement
- (b) DS1 to Voice*

<u>Filing Entity</u>	<u>Monthly Rate</u>	<u>Nonrecurring Charge</u>	
Windstream North Carolina, Inc.	\$ 668.44		C
Windstream Florida	668.44		C
Windstream GA. Communications Corp.	668.44		C
Georgia Windstream, Inc.	668.44		C
Windstream Kentucky	668.44		C
Windstream NY, Inc. - Fulton	668.44		C
Windstream NY, Inc. - Jamestown	668.44		C
Windstream NY, Inc. - Red Jacket	668.44		C
Oklahoma Windstream, Inc.	668.44		C
Windstream Pennsylvania	668.44		C
Windstream Sugar Land	668.44		C
Windstream Georgia	668.44		C
Windstream Mississippi	668.44		C
Windstream Missouri	668.44		C
Windstream Oklahoma	668.44		C
Windstream South Carolina	668.44		C
Windstream Western Reserve	668.44		C
Windstream Alabama	668.44		C
Texas Windstream	668.44		C
Windstream Arkansas	668.44		C
Windstream Standard	668.44		C
Windstream Communications Kerrville	668.44		C
Windstream Ohio	668.44		C
Windstream Concord	668.44		C
Windstream Lexcom	668.44		C
Windstream Nebraska	668.44		C
Windstream Kentucky East - Lexington	668.44		C
Windstream Kentucky East - London	668.44		C
Valor Oklahoma	668.44	\$ 800.00	C
Valor New Mexico #1164	668.44	800.00	C
Valor New Mexico #1193	668.44	800.00	C
Valor Texas #1163	668.44	800.00	C
Valor Texas #1181	668.44	800.00	C
Windstream Iowa Communications #1167	668.44	800.00	C
Windstream Iowa Communications #1170,#1178	668.44	800.00	C
Windstream Lakedale, Inc. #1414	668.44		C
Windstream Lakedale, Inc. #1482	668.44		C
Windstream Georgia Telephone	668.44		C
Windstream Montezuma	668.44		C
Windstream Buffalo Valley	668.44		C
Windstream Conestoga	668.44		C
Windstream D&E	668.44		C
Windstream Accucom	668.44		C

Effective: January 1, 2023

4001 Rodney Parham Rd.
Little Rock, AR 72212

17. Rates and Charges (Cont'd)
- 17.1 Special Access Service (Cont'd)
- 17.1.8 High Capacity Service (Cont'd)
- (C) Optional Features and Functions (Cont'd)
- (1) Multiplexing, per arrangement
- (c) DS1 to DS0

<u>Filing Entity</u>	<u>Monthly Rate</u>	
Windstream North Carolina, Inc.	\$ 668.44	C
Windstream Florida	668.44	C
Windstream GA. Communications Corp.	668.44	C
Georgia Windstream, Inc.	668.44	C
Windstream Kentucky	668.44	C
Windstream NY, Inc. - Fulton	668.44	C
Windstream NY, Inc. - Jamestown	668.44	C
Windstream NY, Inc. - Red Jacket	668.44	C
Oklahoma Windstream, Inc.	668.44	C
Windstream Pennsylvania	668.44	C
Windstream Sugar Land	668.44	C
Windstream Georgia	668.44	C
Windstream Mississippi	668.44	C
Windstream Missouri	668.44	C
Windstream Oklahoma	668.44	C
Windstream South Carolina	668.44	C
Windstream Western Reserve	668.44	C
Windstream Alabama	668.44	C
Texas Windstream	668.44	C
Windstream Arkansas	668.44	C
Windstream Standard	668.44	C
Windstream Communications Kerrville	668.44	C
Windstream Ohio	668.44	C
Windstream Concord	668.44	C
Windstream Lexcom	668.44	C
Windstream Nebraska	668.44	C
Windstream Kentucky East - Lexington	668.44	C
Windstream Kentucky East - London	668.44	C
Valor Oklahoma	668.44	C
Valor New Mexico #1164	668.44	C
Valor New Mexico #1193	668.44	C
Valor Texas #1163	668.44	C
Valor Texas #1181	668.44	C
Windstream Iowa Communications #1170, #1178	668.44	C
Windstream Lakedale, Inc. #1414	668.44	C
Windstream Lakedale, Inc. #1482	668.44	C
Windstream Georgia Telephone	668.44	C
Windstream Montezuma	668.44	C
Windstream Buffalo Valley	668.44	C
Windstream Conestoga	668.44	C
Windstream D&E	668.44	C
Windstream Accucom	668.44	C

Effective: January 1, 2023

4001 Rodney Parham Rd.
Little Rock, AR 72212

17. Rates and Charges (Cont'd)17.1 Special Access Service (Cont'd)17.1.8 High Capacity Service (Cont'd)(C) Optional Features and Functions (Cont'd)

- (1) Multiplexing, per arrangement
-
- (d) DSO to Subrates

<u>Filing Entity</u>	Up to 20	Up to 10	Up to 5	Up to 2
	2.4 Kbps	4.8 Kbps	9.6 Kbps	19.2 Kbps
Windstream North Carolina, Inc.	ICB	ICB	ICB	ICB
Windstream Florida	ICB	ICB	ICB	ICB
Windstream GA. Communications Corp.	ICB	ICB	ICB	ICB
Georgia Windstream, Inc.	ICB	ICB	ICB	ICB
Windstream Kentucky	ICB	ICB	ICB	ICB
Windstream NY, Inc. - Fulton	ICB	ICB	ICB	ICB
Windstream NY, Inc. - Jamestown	ICB	ICB	ICB	ICB
Windstream NY, Inc. - Red Jacket	ICB	ICB	ICB	ICB
Oklahoma Windstream, Inc.	ICB	ICB	ICB	ICB
Windstream Pennsylvania	ICB	ICB	ICB	ICB
Windstream Sugar Land	\$626.05	\$322.68	\$224.33	ICB
Windstream Georgia	ICB	ICB	ICB	ICB
Windstream Mississippi	ICB	ICB	ICB	ICB
Windstream Missouri	ICB	ICB	ICB	ICB
Windstream Oklahoma	ICB	ICB	ICB	ICB
Windstream South Carolina	ICB	ICB	ICB	ICB
Windstream Western Reserve	ICB	ICB	ICB	ICB
Windstream Alabama	ICB	ICB	ICB	ICB
Texas Windstream	ICB	ICB	ICB	ICB
Windstream Arkansas	ICB	ICB	ICB	ICB
Windstream Standard	ICB	ICB	ICB	ICB
Windstream Communications Kerrville	ICB	ICB	ICB	ICB
Windstream Ohio	ICB	ICB	ICB	ICB
Windstream Concord	ICB	ICB	ICB	ICB
Windstream Lexcom	ICB	ICB	ICB	ICB
Windstream Nebraska	471.24	471.24	471.24	ICB
Windstream Kentucky East - Lexington	200.00	150.00	125.00	ICB
Windstream Kentucky East - London	200.00	150.00	125.00	ICB
Valor Oklahoma	200.00	150.00	125.00	ICB
Valor New Mexico #1164	200.00	150.00	125.00	ICB
Valor New Mexico #1193	200.00	150.00	125.00	ICB
Valor Texas #1163	200.00	150.00	125.00	ICB
Valor Texas #1181	200.00	150.00	125.00	ICB
Windstream Iowa Communications #1167	200.00	150.00	125.00	ICB
Windstream Iowa Communications #1170,#1178	200.00	150.00	125.00	ICB
Windstream Georgia Telephone	408.01	277.25	245.84	ICB
Windstream Montezuma	408.01	277.25	245.84	ICB
Windstream Buffalo Valley	408.01	277.25	245.84	ICB
Windstream Conestoga	408.01	277.25	245.84	ICB
Windstream D&E	408.01	277.25	245.84	ICB
Windstream Accucom	408.01	277.25	245.84	ICB

Filing EntityNonrecurring Charge

Windstream Kentucky East - Lexington	\$800.00
Windstream Kentucky East - London	800.00
Valor Oklahoma	800.00
Valor New Mexico #1164	800.00
Valor New Mexico #1193	800.00
Valor Texas #1163	800.00
Valor Texas #1181	800.00
Windstream Iowa Communications #1167	800.00
Windstream Iowa Communications #1170,#1178*	800.00 (4.8 and 9.6 Only)

Effective: January 1, 2023

4001 Rodney Parham Rd.
Little Rock, AR 72212

17. Rates and Charges (Cont'd)17.1 Special Access Service (Cont'd)17.1.8 High Capacity Service (Cont'd)(C) Optional Features and Functions (Cont'd)

(2) Automatic Loop Transfer - Per arrangement*

<u>Filing Entity</u>	<u>Monthly Rate</u>	<u>Nonrecurring Charge</u>
Windstream North Carolina, Inc.		
Windstream Florida		
Windstream GA. Communications Corp.		
Georgia Windstream, Inc.		
Windstream Kentucky		
Windstream NY, Inc. - Fulton		
Windstream NY, Inc. - Jamestown		
Windstream NY, Inc. - Red Jacket		
Oklahoma Windstream, Inc.		
Windstream Pennsylvania		
Windstream Sugar Land	\$431.33	
Windstream Georgia		
Windstream Mississippi		
Windstream Missouri		
Windstream Oklahoma		
Windstream South Carolina		
Windstream Western Reserve		
Windstream Alabama		
Texas Windstream		
Windstream Arkansas		
Windstream Nebraska	209.00	
Windstream Kentucky East - Lexington	100.00	
Windstream Kentucky East - London	100.00	
Valor Oklahoma	100.00	
Valor New Mexico #1164	100.00	
Valor New Mexico #1193	100.00	
Valor Texas #1163	100.00	
Valor Texas #1181	100.00	
Windstream Iowa Communications #1167	100.00	700.00
Windstream Iowa Communications #1170,#1178	165.00	
Windstream Georgia Telephone	110.19	
Windstream Montezuma	110.19	
Windstream Buffalo Valley	110.19	
Windstream Conestoga	110.19	
Windstream D&E	110.19	
Windstream Accucom	110.19	

(3) Clear Channel Capability
- per 1.544 Mbps Transmission Path

<u>Filing Entity</u>	<u>Monthly Rate</u>	<u>Nonrecurring Charge</u>	
Windstream Nebraska	53.48	\$100.91	C
Windstream Kentucky East - Lexington	53.48	90.00	C
Windstream Kentucky East - London	53.48	800.00	C
Valor Oklahoma	53.48	90.00	C
Valor New Mexico #1164	53.48	80.00	C
Valor New Mexico #1193	53.48	80.00	C
Valor Texas #1163	53.48	90.00	C
Valor Texas #1181	53.48	90.00	C
Windstream Iowa Communications #1167	53.48	350.00	C
Windstream Iowa Communications #1170,#1178	53.48	350.00	C

Effective: January 1, 2023

4001 Rodney Parham Rd.
Little Rock, AR 72212

17. Rates and Charges (Cont'd)17.1 Special Access Service (Cont'd)17.1.8 High Capacity Service (Cont'd)(C) Optional Features and Functions (Cont'd)

- (4) Transfer Arrangement
(key activated** or dial up***)
- Per four port arrangement including*
control channel termination****

<u>Filing Entity</u>	<u>Monthly Rate</u>
Windstream North Carolina, Inc.	
Windstream Florida	
Windstream GA. Communications Corp.	
Georgia Windstream, Inc.	
Windstream Kentucky	
Windstream NY, Inc. - Fulton	
Windstream NY, Inc. - Jamestown	
Windstream NY, Inc. - Red Jacket	
Oklahoma Windstream, Inc.	
Windstream Pennsylvania	
Windstream Sugar Land	\$183.29
Windstream Georgia	
Windstream Mississippi	
Windstream Missouri	
Windstream Oklahoma	
Windstream South Carolina	
Windstream Western Reserve	
Windstream Alabama	
Texas Windstream	
Windstream Arkansas	
Valor Oklahoma	165.00
Valor New Mexico #1164	165.00
Valor New Mexico #1193	165.00
Valor Texas #1163	165.00
Valor Texas #1181	165.00
Windstream Iowa Communications #1170,#1178	165.00
Windstream Georgia Telephone	120.10
Windstream Montezuma	120.10
Windstream Buffalo Valley	120.10
Windstream Conestoga	120.10
Windstream D&E	120.10
Windstream Accucom	120.10

- (5) Battery Back-Up, Per Arrangement

<u>Filing Entity</u>	<u>Monthly Rate</u>
Windstream Nebraska	\$92.00

Effective: January 1, 2023

4001 Rodney Parham Rd.
Little Rock, AR 72212

17. Rates and Charges (Cont'd)
 17.1 Special Access Service (Cont'd)
 17.1.8 High Capacity Service (Cont'd)

(D) Digital FT1

		<u>Monthly Rate</u>	<u>Nonrecurring Charges</u>	
(1) Channel Termination - Monthly -Per Termination				
	2 X 56 Kbps or 2 X 64 Kbps			
	Windstream Kentucky East - Lexington	\$ 401.06	\$ 450.00	C
	Valor Oklahoma	401.06	450.00	C
	Valor New Mexico #1164	401.06	450.00	C
	Valor New Mexico #1193	401.06	450.00	C
	Valor Texas #1163	401.06	450.00	C
	Valor Texas #1181	401.06	450.00	C
	4 X 56 Kbps or 4 X 64 Kbps			
	Windstream Kentucky East - Lexington	\$ 401.06	\$ 450.00	C
	Valor Oklahoma	401.06	450.00	C
	Valor New Mexico #1164	401.06	450.00	C
	Valor New Mexico #1193	401.06	450.00	C
	Valor Texas #1163	401.06	450.00	C
	Valor Texas #1181	401.06	450.00	C
	6 X 56 Kbps or 6 X 64 Kbps			
	Windstream Kentucky East - Lexington	\$ 401.06	\$ 450.00	C
	Valor Oklahoma	401.06	450.00	C
	Valor New Mexico #1164	401.06	450.00	C
	Valor New Mexico #1193	401.06	450.00	C
	Valor Texas #1163	401.06	450.00	C
	Valor Texas #1181	401.06	450.00	C

 Effective: January 1, 2023

 4001 Rodney Parham Rd.
 Little Rock, AR 72212

17. Rates and Charges (Cont'd)17.1 Special Access Service (Cont'd)17.1.8 High Capacity Service (Cont'd)(D) Digital FT1 (Cont'd)

	<u>Monthly Rate</u>
(2) Channel Mileage - Monthly	
(a) Channel Mileage Facility - Per Mile	
2 X 56 Kbps or 2 X 64 Kbps	
Windstream Kentucky East - Lexington	\$ 26.74 C
Valor Oklahoma	26.74 C
Valor New Mexico #1164	26.74 C
Valor New Mexico #1193	26.74 C
Valor Texas #1163	26.74 C
Valor Texas #1181	26.74 C
4 X 56 Kbps or 4 X 64 Kbps	
Windstream Kentucky East - Lexington	\$ 26.74 C
Valor Oklahoma	26.74 C
Valor New Mexico #1164	26.74 C
Valor New Mexico #1193	26.74 C
Valor Texas #1163	26.74 C
Valor Texas #1181	26.74 C
6 X 56 Kbps or 6 X 64 Kbps	
Windstream Kentucky East - Lexington	\$ 26.74 C
Valor Oklahoma	26.74 C
Valor New Mexico #1164	26.74 C
Valor New Mexico #1193	26.74 C
Valor Texas #1163	26.74 C
Valor Texas #1181	26.74 C

 Effective: January 1, 2023

 4001 Rodney Parham Rd.
 Little Rock, AR 72212

17. Rates and Charges (Cont'd)17.1 Special Access Service (Cont'd)17.1.8 High Capacity Service (Cont'd)(D) Digital FT1 (Cont'd)

	<u>Monthly Rate</u>
(2) Channel Mileage (Cont'd)	
(b) Channel Mileage Termination - Monthly - Per Termination	
2 X 56 Kbps or 2 X 64 Kbps	
Windstream Kentucky East - Lexington	\$ 267.38 C
Valor Oklahoma	267.38 C
Valor New Mexico #1164	267.38 C
Valor New Mexico #1193	267.38 C
Valor Texas #1163	267.38 C
Valor Texas #1181	267.38 C
4 X 56 Kbps or 4 X 64 Kbps	
Windstream Kentucky East - Lexington	\$ 267.38 C
Valor Oklahoma	267.38 C
Valor New Mexico #1164	267.38 C
Valor New Mexico #1193	267.38 C
Valor Texas #1163	267.38 C
Valor Texas #1181	267.38 C
6 X 56 Kbps or 6 X 64 Kbps	
Windstream Kentucky East - Lexington	\$ 267.38 C
Valor Oklahoma	267.38 C
Valor New Mexico #1164	267.38 C
Valor New Mexico #1193	267.38 C
Valor Texas #1163	267.38 C
Valor Texas #1181	267.38 C

Effective: January 1, 2023

4001 Rodney Parham Rd.
Little Rock, AR 72212

17. Rates and Charges (Cont'd)17.1 Special Access Service (Cont'd)17.1.8 High Capacity Service (Cont'd)(D) Digital FT1 (Cont'd)

		<u>Monthly Rate</u>	<u>Nonrecurring Charges</u>	
(3)	Channel Termination - 12 Months -Per Termination			
	Windstream Kentucky East - Lexington			
	2 X 56 Kbps or 2 X 64 Kbps	\$ 401.06	-	C
	4 X 56 Kbps or 4 X 64 Kbps	401.06	-	C
	6 X 56 Kbps or 6 X 64 Kbps	401.06	-	C
(4)	Channel Mileage - 12 Months			
	(a) Channel Mileage Facility - Per Mile			
	2 X 56 Kbps or 2 X 64 Kbps	\$ 26.74	-	C
	4 X 56 Kbps or 4 X 64 Kbps	26.74	-	C
	6 X 56 Kbps or 6 X 64 Kbps	26.74	-	C
	(b) Channel Mileage Termination - 12 Months - Per Termination			
	2 X 56 Kbps or 2 X 64 Kbps	\$ 267.38	-	C
	4 X 56 Kbps or 4 X 64 Kbps	267.38	-	C
	6 X 56 Kbps or 6 X 64 Kbps	267.38	-	C

Effective: January 1, 2023

4001 Rodney Parham Rd.
Little Rock, AR 72212

17. Rates and Charges (Cont'd)17.1 Special Access Service (Cont'd)17.1.8 High Capacity Service (Cont'd)(D) Digital FT1 (Cont'd)

		<u>Monthly Rate</u>	<u>Nonrecurring Charges</u>	
(5)	Channel Termination - 36 Months -Per Termination			
	Windstream Kentucky East - Lexington			
	2 X 56 Kbps or 2 X 64 Kbps	\$ 401.06	-	C
	4 X 56 Kbps or 4 X 64 Kbps	401.06	-	C
	6 X 56 Kbps or 6 X 64 Kbps	401.06	-	C
(6)	Channel Mileage - 36 Months			
(a)	Channel Mileage Facility - Per Mile			
	Windstream Kentucky East - Lexington			
	2 X 56 Kbps or 2 X 64 Kbps	\$ 26.74	-	C
	4 X 56 Kbps or 4 X 64 Kbps	26.74	-	C
	6 X 56 Kbps or 6 X 64 Kbps	26.74	-	C
(b)	Channel Mileage Termination - 12 Months - Per Termination			
	Windstream Kentucky East - Lexington			
	2 X 56 Kbps or 2 X 64 Kbps	\$ 267.38	-	C
	4 X 56 Kbps or 4 X 64 Kbps	267.38	-	C
	6 X 56 Kbps or 6 X 64 Kbps	267.38	-	C

Effective: January 1, 2023

4001 Rodney Parham Rd.
Little Rock, AR 72212

17. Rates and Charges (Cont'd)17.1 Special Access Service (Cont'd)17.1.8 High Capacity Service (Cont'd)(D) Digital FT1 (Cont'd)

		<u>Monthly Rate</u>	<u>Nonrecurring Charges</u>	
(7)	Channel Termination - 60 Months -Per Termination			
	Windstream Kentucky East - Lexington			
	2 X 56 Kbps or 2 X 64 Kbps	\$ 401.06	-	C
	4 X 56 Kbps or 4 X 64 Kbps	401.06	-	C
	6 X 56 Kbps or 6 X 64 Kbps	401.06	-	C
(8)	Channel Mileage - 60 Months			
	(a) Channel Mileage Facility - Per Mile			
	Windstream Kentucky East - Lexington			
	2 X 56 Kbps or 2 X 64 Kbps	\$ 26.74	-	C
	4 X 56 Kbps or 4 X 64 Kbps	26.74	-	C
	6 X 56 Kbps or 6 X 64 Kbps	26.74	-	C
	(b) Channel Mileage Termination - 12 Months - Per Termination			
	Windstream Kentucky East - Lexington			
	2 X 56 Kbps or 2 X 64 Kbps	\$ 267.38	-	C
	4 X 56 Kbps or 4 X 64 Kbps	267.38	-	C
	6 X 56 Kbps or 6 X 64 Kbps	267.38	-	C

Effective: January 1, 2023

4001 Rodney Parham Rd.
Little Rock, AR 72212

17. Rates and Charges (Cont'd)17.1 Special Access Service (Cont'd)17.1.8 High Capacity Service (Cont'd)(E) Special Access Cross Connect

(1)	DS0	Rate
	Windstream Kentucky East - Lexington	2.15
	Windstream Kentucky East - London	2.15
	Valor Oklahoma	2.21
	Valor New Mexico #1164	ICB
	Valor New Mexico #1193	ICB
	Valor Texas #1163	2.31
	Valor Texas #1181	1.59
(2)	DS1	
	Windstream Nebraska	3.07
	Windstream Kentucky East - Lexington	4.56
	Windstream Kentucky East - London	4.56
	Valor Oklahoma	5.30
	Valor New Mexico #1164	ICB
	Valor New Mexico #1193	ICB
	Valor Texas #1163	5.31
	Valor Texas #1181	3.63
(3)	DS3	
	Windstream Nebraska	80.76
	Windstream Kentucky East - Lexington	33.79
	Windstream Kentucky East - London	33.79
	Valor Oklahoma	38.75
	Valor New Mexico #1164	ICB
	Valor New Mexico #1193	ICB
	Valor Texas #1163	36.81
	Valor Texas #1181	24.77

 Effective: January 1, 2023

 4001 Rodney Parham Rd.
 Little Rock, AR 72212

17. Rates and Charges (Cont'd)17.1 Special Access Service (Cont'd)17.1.8 High Capacity Service (Cont'd)(F) ADSL Network Access LinkAll Filing Entities

Connection which provides 50 Logical Access Links:

- Per DS1 (1.544 mbps)	\$ 399.95	\$ 499.95
- Per DS3 (44.736 mbps)	\$2250.00	\$ 700.00

Additional block of 50 Logical Access Links	\$ 99.95	\$ 99.95
---	----------	----------

 Effective: January 1, 2023

 4001 Rodney Parham Rd.
 Little Rock, AR 72212

17. Rates and Charges (Cont'd)17.1 Special Access Service (Cont'd)17.1.9 Service Discount Plans

a) High Capacity 1.544 Mbps (DS1)*			
	<u>Plan Length</u>	<u>Discount %</u>	
	36 Months	5.0%	
	60 Months	7.5%	
b) High Capacity 44.736 Mbps (DS3)*			
	<u>Plan Length</u>	<u>Discount %</u>	
	36 Months	5.0%	
	60 Months	7.5%	
c) Synchronous Optical Channel 155.52 Mbps (OC3)*			
	<u>Plan Length</u>	<u>Discount %</u>	
	36 Months	5.0%	
	60 Months	7.5%	
d) Synchronous Optical Channel 622.08 Mbps (OC12)*			
	<u>Plan Length</u>	<u>Discount %</u>	
	36 Months	5.0%	
	60 Months	7.5%	
e) High Capacity 1.544 Mbps (DS1)			
	<u>Plan Length</u>	<u>Discount %</u>	
	36 Months	25%	(C)
	60 Months	7.5%	
f) High Capacity 44.736 Mbps (DS3)			
	<u>Plan Length</u>	<u>Discount %</u>	
	36 Months	25%	(C)
	60 Months	7.5%	
g) Synchronous Optical Channel 155.52 Mbps (OC3)			
	<u>Plan Length</u>	<u>Discount %</u>	
	36 Months	5.0%	
	60 Months	7.5%	
h) Synchronous Optical Channel 622.08 Mbps (OC12)			
	<u>Plan Length</u>	<u>Discount %</u>	
	36 Months	5.0%	
	60 Months	7.5%	

* The discount percentages noted in a) through d) above will apply (1) for services ordered and processed under Windstream's standard intervals by December 31,2019 until the expiration of the term period. (C)

Effective: January 1, 2020

4001 Rodney Parham Rd.
Little Rock, AR 72212

17. Rates and Charges (Cont'd)17.1 Special Access Service (Cont'd)17.1.10 Synchronous Optical Channel Service

Regulations concerning Synchronous Optical Channel Service are set forth in 7.11 preceding.

(A) Channel Termination, per Termination

(1) 155.52 Mbps (OC3)

<u>Filing Entity</u>	<u>Monthly Rate</u>	<u>Nonrecurring Charge</u>	
Windstream North Carolina, Inc.	\$ 8903.59	\$ 550.00	C
Windstream Florida	8903.59	550.00	C
Windstream GA. Communications Corp.	8903.59	550.00	C
Georgia Windstream, Inc.	8903.59	550.00	C
Windstream Kentucky	8903.59	550.00	C
Windstream New York, Inc. - Fulton	8903.59	550.00	C
Windstream New York, Inc. - Jamestown	8903.59	550.00	C
Windstream New York, Inc. - Red Jacket	8903.59	550.00	C
Oklahoma Windstream, Inc.	8903.59	550.00	C
Windstream Pennsylvania	8903.59	550.00	C
Windstream Sugar Land	8903.59	550.00	C
Windstream Georgia	8903.59	550.00	C
Windstream Mississippi	8903.59	550.00	C
Windstream Missouri	8903.59	550.00	C
Windstream Oklahoma	8903.59	550.00	C
Windstream South Carolina	8903.59	550.00	C
Windstream Western Reserve	8903.59	550.00	C
Windstream Alabama	8903.59	550.00	C
Texas Windstream	8903.59	550.00	C
Windstream Arkansas	8903.59	550.00	C
Windstream Communications Kerrville	8903.59	550.00	C
Windstream Ohio	8903.59	550.00	C
Windstream Concord	8903.59	550.00	C
Windstream Lexcom	8903.59	550.00	C
Windstream Nebraska	8903.59	550.00	C
Windstream Kentucky East - Lexington	8903.59	1500.00	C
Windstream Kentucky East - London	8903.59	1500.00	C
Valor Oklahoma	8903.59	550.00	C
Valor New Mexico #1164	8903.59	550.00	C
Valor New Mexico #1193	8903.59	550.00	C
Valor Texas #1163	8903.59	550.00	C
Valor Texas #1181	8903.59	550.00	C
Windstream Lakedale, Inc. #1414	8903.59	550.00	C
Windstream Lakedale, Inc. #1482	8903.59	550.00	C
Windstream Georgia Telephone	8903.59	360.00	C
Windstream Montezuma	8903.59	360.00	C
Windstream Buffalo Valley	8903.59	360.00	C
Windstream Conestoga	8903.59	360.00	C
Windstream D&E	8903.59	360.00	C
Windstream Accucom	8903.59	360.00	C

Effective: January 1, 2023

4001 Rodney Parham Rd.
Little Rock, AR 72212

17. Rates and Charges (Cont'd)
- 17.1 Special Access Service (Cont'd)
- 17.1.10 Synchronous Optical Channel Service (Cont'd)
- (A) Channel Termination, per Termination (Cont'd)
- (2) 622.08 Mbps (OC12)

<u>Filing Entity</u>	<u>Monthly Rate</u>	<u>Nonrecurring Charge</u>	
Windstream North Carolina, Inc.	\$ 8903.59	\$ 550.00	C
Windstream Florida	8903.59	550.00	C
Windstream GA. Communications Corp.	8903.59	550.00	C
Georgia Windstream, Inc.	8903.59	550.00	C
Windstream Kentucky	8903.59	550.00	C
Windstream New York, Inc. - Fulton	8903.59	550.00	C
Windstream New York, Inc. - Jamestown	8903.59	550.00	C
Windstream New York, Inc. - Red Jacket	8903.59	550.00	C
Oklahoma Windstream, Inc.	8903.59	550.00	C
Windstream Pennsylvania	8903.59	550.00	C
Windstream Sugar Land	8903.59	550.00	C
Windstream Georgia	8903.59	550.00	C
Windstream Mississippi	8903.59	550.00	C
Windstream Missouri	8903.59	550.00	C
Windstream Oklahoma	8903.59	550.00	C
Windstream South Carolina	8903.59	550.00	C
Windstream Western Reserve	8903.59	550.00	C
Windstream Alabama	8903.59	550.00	C
Texas Windstream	8903.59	550.00	C
Windstream Arkansas	8903.59	550.00	C
Windstream Communications Kerrville	8903.59	550.00	C
Windstream Ohio	8903.59	550.00	C
Windstream Concord	8903.59	550.00	C
Windstream Lexcom	8903.59	550.00	C
Windstream Nebraska	8903.59	550.00	C
Windstream Kentucky East - Lexington	8903.59	3000.00	C
Windstream Kentucky East - London	8903.59	3000.00	C
Valor Oklahoma	8903.59	550.00	C
Valor New Mexico #1164	8903.59	550.00	C
Valor New Mexico #1193	8903.59	550.00	C
Valor Texas #1163	8903.59	550.00	C
Valor Texas #1181	8903.59	550.00	C
Windstream Lakedale, Inc. #1414	8903.59	550.00	C
Windstream Lakedale, Inc. #1482	8903.59	550.00	C
Windstream Georgia Telephone	8903.59	360.00	C
Windstream Montezuma	8903.59	360.00	C
Windstream Buffalo Valley	8903.59	360.00	C
Windstream Conestoga	8903.59	360.00	C
Windstream D&E	8903.59	360.00	C
Windstream Accucom	8903.59	360.00	C

Effective: January 1, 2023

4001 Rodney Parham Rd.
Little Rock, AR 72212

17. Rates and Charges (Cont'd)
- 17.1 Special Access Service (Cont'd)
- 17.1.10 Synchronous Optical Channel Service (Cont'd)
- (B) Channel Mileage
- (1) 155.52 Mbps (OC3)

<u>Filing Entity</u>	<u>Facility per Mile</u>	<u>Termination per Termination</u>	
Windstream North Carolina, Inc.	\$ 356.50	\$ 2616.25	C
Windstream Florida	356.50	2616.25	C
Windstream GA. Communications Corp.	356.50	2616.25	C
Georgia Windstream, Inc.	356.50	2616.25	C
Windstream Kentucky	356.50	3038.00	C
Windstream New York, Inc. - Fulton	356.50	2616.25	C
Windstream New York, Inc. - Jamestown	356.50	2616.25	C
Windstream New York, Inc. - Red Jacket	356.50	2616.25	C
Oklahoma Windstream, Inc.	356.50	2616.25	C
Windstream Pennsylvania	356.50	2616.25	C
Windstream Sugar Land	356.50	2616.25	C
Windstream Georgia	356.50	2616.25	C
Windstream Mississippi	356.50	2616.25	C
Windstream Missouri	356.50	2616.25	C
Windstream Oklahoma	356.50	2616.25	C
Windstream South Carolina	356.50	2616.25	C
Windstream Western Reserve	356.50	2616.25	C
Windstream Alabama	356.50	2718.00	C
Texas Windstream	356.50	2616.25	C
Windstream Arkansas	356.50	2616.25	C
Windstream Standard	356.50	2616.25	C
Windstream Communications Kerrville	356.50	2616.25	C
Windstream Ohio	356.50	2616.25	C
Windstream Concord	356.50	2616.25	C
Windstream Lexcom	356.50	2616.25	C
Windstream Nebraska	356.50	2616.25	C
Windstream Kentucky East - Lexington	356.50	2616.25	C
Windstream Kentucky East - London	356.50	2616.25	C
Valor Oklahoma	356.50	2616.25	C
Valor New Mexico #1164	356.50	2616.25	C
Valor New Mexico #1193	356.50	2616.25	C
Valor Texas #1163	356.50	2616.25	C
Valor Texas #1181	356.50	2616.25	C
Windstream Lakedale, Inc. #1414	356.50	3114.00	C
Windstream Lakedale, Inc. #1482	356.50	2616.25	C
Windstream Georgia Telephone	356.50	2616.25	C
Windstream Montezuma	356.50	2616.25	C
Windstream Buffalo Valley	356.50	2616.25	C
Windstream Conestoga	356.50	2616.25	C
Windstream D&E	356.50	2616.25	C
Windstream Accucom	356.50	2616.25	C

Effective: January 1, 2023

4001 Rodney Parham Rd.
Little Rock, AR 72212

17. Rates and Charges (Cont'd)
- 17.1 Special Access Service (Cont'd)
- 17.1.10 Synchronous Optical Channel Service (Cont'd)
- (B) Channel Mileage (Cont'd)
- (2) 622.08 Mbps (OC12)

<u>Filing Entity</u>	<u>Facility per Mile</u>	<u>Termination per Termination</u>	
Windstream North Carolina, Inc.	\$ 588.80	\$ 2616.25	C
Windstream Florida	588.80	2616.25	C
Windstream GA. Communications Corp.	588.80	2616.25	C
Georgia Windstream, Inc.	588.80	2616.25	C
Windstream Kentucky	588.80	3505.00	C
Windstream New York, Inc. - Fulton	588.80	2616.25	C
Windstream New York, Inc. - Jamestown	588.80	2616.25	C
Windstream New York, Inc. - Red Jacket	588.80	2616.25	C
Oklahoma Windstream, Inc.	588.80	2616.25	C
Windstream Pennsylvania	588.80	2616.25	C
Windstream Sugar Land	588.80	2616.25	C
Windstream Georgia	588.80	2616.25	C
Windstream Mississippi	588.80	2616.25	C
Windstream Missouri	588.80	2616.25	C
Windstream Oklahoma	588.80	2616.25	C
Windstream South Carolina	588.80	2616.25	C
Windstream Western Reserve	588.80	2616.25	C
Windstream Alabama	588.80	3125.00	C
Texas Windstream	588.80	2616.25	C
Windstream Arkansas	588.80	2616.25	C
Windstream Standard	588.80	2616.25	C
Windstream Communications Kerrville	588.80	2616.25	C
Windstream Ohio	588.80	2616.25	C
Windstream Concord	588.80	2616.25	C
Windstream Lexcom	588.80	2616.25	C
Windstream Nebraska	588.80	2616.25	C
Windstream Kentucky East - Lexington	588.80	2616.25	C
Windstream Kentucky East - London	588.80	2616.25	C
Valor Oklahoma	588.80	2616.25	C
Valor New Mexico #1164	588.80	2616.25	C
Valor New Mexico #1193	588.80	2616.25	C
Valor Texas #1163	588.80	2616.25	C
Valor Texas #1181	588.80	2616.25	C
Windstream Lakedale, Inc. #1414	588.80	3600.00	C
Windstream Lakedale, Inc. #1482	588.80	2663.00	C
Windstream Georgia Telephone	588.80	2616.25	C
Windstream Montezuma	588.80	2616.25	C
Windstream Buffalo Valley	588.80	2616.25	C
Windstream Conestoga	588.80	2616.25	C
Windstream D&E	588.80	2616.25	C
Windstream Accucom	588.80	2616.25	C

Effective: January 1, 2023

4001 Rodney Parham Rd.
Little Rock, AR 72212

17. Rates and Charges (Cont'd)17.1 Special Access Service (Cont'd)17.1.10 Synchronous Optical Channel Service (Cont'd)(C) Optional Features and Functions(1) Customer Node

Per Node

<u>Filing Entity</u>	<u>OC3</u>	<u>Monthly Rate</u>		<u>Nonrecurring Charge</u>	
		<u>OC12</u>		<u>OC3</u>	<u>OC12</u>
Windstream North Carolina, Inc.	\$ 516.13	\$ 1443.56	\$	\$	
Windstream Florida	516.13	1443.56			
Windstream GA. Communications Corp.	516.13	1443.56			
Georgia Windstream, Inc.	516.13	1443.56			
Windstream Kentucky	516.13	1443.56			
Windstream New York, Inc. - Fulton	516.13	1443.56			
Windstream New York, Inc. - Jamestown	516.13	1443.56			
Windstream New York, Inc. - Red Jacket	516.13	1443.56			
Oklahoma Windstream, Inc.	516.13	1443.56			
Windstream Pennsylvania	516.13	1443.56			
Windstream Sugar Land	516.13	1443.56			
Windstream Georgia	516.13	1443.56			
Windstream Mississippi	516.13	1443.56			
Windstream Missouri	516.13	1443.56			
Windstream Oklahoma	516.13	1443.56			
Windstream South Carolina	516.13	1443.56			
Windstream Western Reserve	516.13	1443.56			
Windstream Alabama	516.13	1443.56			
Texas Windstream	516.13	1443.56			
Windstream Arkansas	516.13	1443.56			
Windstream Communications Kerrville	516.13	1443.56			
Windstream Ohio	516.13	1443.56			
Windstream Concord	516.13	1443.56			
Windstream Lexcom	516.13	1443.56			
Windstream Nebraska	516.13	1443.56			
Windstream Kentucky East - Lexington	975.00	2350.00	3000.00		6000.00
Windstream Kentucky East - London	975.00	2350.00	3000.00		6000.00
Valor Oklahoma	826.59	1536.65			
Valor New Mexico #1164	826.59	1536.65			
Valor New Mexico #1193	826.59	1536.65			
Valor Texas #1163	826.59	1536.65			
Valor Texas #1181	826.59	1536.65			
Windstream Lakedale, Inc. #1414	516.13	1443.56			
Windstream Lakedale, Inc. #1482	516.13	1443.56			
Windstream Georgia Telephone	335.72	969.88	640.00		640.00
Windstream Montezuma	335.72	969.88	640.00		640.00
Windstream Buffalo Valley	335.72	969.88	640.00		640.00
Windstream Conestoga	335.72	969.88	640.00		640.00
Windstream D&E	335.72	969.88	640.00		640.00
Windstream Accucom	335.72	969.88	640.00		640.00

Effective: January 1, 2023

4001 Rodney Parham Rd.
Little Rock, AR 72212

17. Rates and Charges (Cont'd)
- 17.1 Special Access Service (Cont'd)
- 17.1.10 Synchronous Optical Channel Service (Cont'd)
- (C) Optional Features and Functions (Cont'd)
- (2) Customer Premises Port
- Per Port

<u>Filing Entity</u>	<u>DS1</u>	<u>DS3</u>	<u>OC3</u>	<u>Nonrecurring Charge (DS1/DS3)</u>
Windstream North Carolina, Inc.	\$ 24.85	\$ 310.70		
Windstream Florida	24.85	310.70		
Windstream GA. Communications Corp.	24.85	310.70		
Georgia Windstream, Inc.	24.85	310.70		
Windstream Kentucky	24.85	310.70		
Windstream New York, Inc. - Fulton	24.85	310.70		
Windstream New York, Inc. - Jamestown	24.85	310.70		
Windstream New York, Inc. - Red Jacket	24.85	310.70		
Oklahoma Windstream, Inc.	24.85	310.70		
Windstream Pennsylvania	24.85	310.70		
Windstream Sugar Land	24.85	310.70		
Windstream Georgia	24.85	310.70		
Windstream Mississippi	24.85	310.70		
Windstream Missouri	24.85	310.70		
Windstream Oklahoma	24.85	310.70		
Windstream South Carolina	24.85	310.70		
Windstream Western Reserve	24.85	310.70		
Windstream Alabama	24.85	310.70		
Texas Windstream	24.85	310.70		
Windstream Arkansas	24.85	310.70		
Windstream Communications Kerrville	24.85	310.70		
Windstream Ohio	24.85	310.70		
Windstream Concord	24.85	310.70		
Windstream Lexcom	24.85	310.70		
Windstream Nebraska	24.85	310.70		
Windstream Kentucky East - Lexington	-	-		
Windstream Kentucky East - London	-	-		
Valor Oklahoma	24.85	310.70		
Valor New Mexico #1164	24.85	310.70		
Valor New Mexico #1193	24.85	310.70		
Valor Texas #1163	24.85	310.70		
Valor Texas #1181	24.85	310.70		
Windstream Lakedale, Inc. #1414	24.85	310.70		
Windstream Lakedale, Inc. #1482	24.85	310.70		
Windstream Georgia Telephone	33.90	132.26	137.70	640.00
Windstream Montezuma	33.90	132.26	137.70	640.00
Windstream Buffalo Valley	33.90	132.26	137.70	640.00
Windstream Conestoga	33.90	132.26	137.70	640.00
Windstream D&E	33.90	132.26	137.70	640.00
Windstream Accucom	33.90	132.26	137.70	640.00

Effective: January 1, 2023

4001 Rodney Parham Rd.
Little Rock, AR 72212

17. Rates and Charges (Cont'd)
- 17.1 Special Access Service (Cont'd)
- 17.1.10 Synchronous Optical Channel Service (Cont'd)
- (C) Optional Features and Functions (Cont'd)
- (3) Add/Drop Multiplexing - Per Port

<u>Filing Entity</u>	<u>DS1</u>	<u>DS3</u>	<u>OC3</u>
Windstream North Carolina, Inc.	\$ 75.00	\$ 250.00	\$ 725.00
Windstream Florida	75.00	250.00	725.00
Windstream GA. Communications Corp.	75.00	250.00	725.00
Georgia Windstream, Inc.	75.00	250.00	725.00
Windstream Kentucky	75.00	250.00	725.00
Windstream New York, Inc. - Fulton	75.00	250.00	725.00
Windstream New York, Inc. - Jamestown	75.00	250.00	725.00
Windstream New York, Inc. - Red Jacket	75.00	250.00	725.00
Oklahoma Windstream, Inc.	75.00	250.00	725.00
Windstream Pennsylvania	75.00	250.00	725.00
Windstream Sugar Land	75.00	250.00	725.00
Windstream Georgia	75.00	250.00	725.00
Windstream Mississippi	75.00	250.00	725.00
Windstream Missouri	75.00	250.00	725.00
Windstream Oklahoma	75.00	250.00	725.00
Windstream South Carolina	75.00	250.00	725.00
Windstream Western Reserve	75.00	250.00	725.00
Windstream Alabama	75.00	250.00	725.00
Texas Windstream	75.00	250.00	725.00
Windstream Arkansas	75.00	250.00	725.00
Windstream Communications Kerrville	75.00	250.00	725.00
Windstream Ohio	75.00	250.00	725.00
Windstream Concord	75.00	250.00	725.00
Windstream Lexcom	75.00	250.00	725.00
Windstream Nebraska	75.00	250.00	725.00
Windstream Kentucky East - Lexington	75.00	250.00	725.00
Windstream Kentucky East - London	75.00	250.00	725.00
Valor Oklahoma	75.00	250.00	725.00
Valor New Mexico #1164	75.00	250.00	725.00
Valor New Mexico #1193	75.00	250.00	725.00
Valor Texas #1163	75.00	250.00	725.00
Valor Texas #1181	75.00	250.00	725.00
Windstream Lakedale, Inc. #1414	75.00	250.00	725.00
Windstream Lakedale, inc. #1482	75.00	250.00	725.00
Windstream Georgia Telephone	27.12	67.82	137.70
Windstream Montezuma	27.12	67.82	137.70
Windstream Buffalo Valley	27.12	67.82	137.70
Windstream Conestoga	27.12	67.82	137.70
Windstream D&E	27.12	67.82	137.70
Windstream Accucom	27.12	67.82	137.70

(D) ADSL Network Access LinkAll Filing Entities

Connection which provides 50 Logical Access Links:		
- Per OC3 (155.52 mbps)	\$ 3500.00	\$ 1200.00
Additional block of 50 Logical Access Links	\$ 99.95	\$ 99.95

Effective: January 1, 2023

4001 Rodney Parham Rd.
Little Rock, AR 72212

17. Rates and Charges (Cont'd)17. Rates and Charges (Cont'd)17.1 Special Access Service (Cont'd)17.1.11 Incremental Spend Discount Plan (ISDP)

- | | | |
|---|--------------------|----------------------------------|
| a) \$2,000,000 to \$2,999,999 Incremental Spend | | |
| | <u>Term Length</u> | <u>Discount %</u> |
| | 12 Months | 5.0% of total Incremental Spend |
| b) \$3,000,000 to \$3,999,999 Incremental Spend | | |
| | <u>Term Length</u> | <u>Discount %</u> |
| | 12 Months | 10.0% of total Incremental Spend |
| c) \$4,000,000 to \$4,999,999 Incremental Spend | | |
| | <u>Term Length</u> | <u>Discount %</u> |
| | 12 Months | 15.0% of total Incremental Spend |
| d) \$5,000,000 to \$5,999,999 Incremental Spend | | |
| | <u>Term Length</u> | <u>Discount %</u> |
| | 12 Months | 20.0% of total Incremental Spend |
| e) \$6,000,000 to \$6,999,999 Incremental Spend | | |
| | <u>Term Length</u> | <u>Discount %</u> |
| | 12 Months | 25.0% of total Incremental Spend |
| f) \$7,000,000 to \$7,999,999 Incremental Spend | | |
| | <u>Term Length</u> | <u>Discount %</u> |
| | 12 Months | 30.0% of total Incremental Spend |
| g) \$8,000,000 and greater Incremental Spend | | |
| | <u>Term Length</u> | <u>Discount %</u> |
| | 12 Months | 35.0% of total Incremental Spend |

17. Rates and Charges (Cont'd)17.1 Special Access Service (Cont'd)17.1.12 Early Termination Penalty Forgiveness (ETPF)

(1) Dollar Based

- a) \$1,000,000 to \$1,999,999 Incremental Spend
Maximum Discontinuance Liability
\$3,000,000
- b) \$2,000,000 to \$2,999,999 Incremental Spend
Maximum Discontinuance Liability
\$2,500,000
- c) \$3,000,000 to \$3,999,999 Incremental Spend
Maximum Discontinuance Liability
\$2,000,000
- d) \$4,000,000 to \$4,999,999 Incremental Spend
Maximum Discontinuance Liability
\$1,500,000
- e) \$5,000,000 to \$5,999,999 Incremental Spend
Maximum Discontinuance Liability
\$500,000
- f) \$6,000,000 and greater Incremental Spend
Maximum Discontinuance Liability
\$0

(2) Percentage Based

- a) 25% increase in Incremental Spend
Maximum Discontinuance Liability
75% of total incurred discontinuance charges.
- b) 50% increase in Incremental Spend
Maximum Discontinuance Liability
50% of total incurred discontinuance charges.
- c) 75% increase in Incremental Spend
Maximum Discontinuance Liability
25% of total incurred discontinuance charges.
- c) 100% increase in Incremental Spend
Maximum Discontinuance Liability
No liability for incurred discontinuance charges.

Effective: December 17, 2017

4001 Rodney Parham Rd.
Little Rock, AR 72212

17. Rates and Charges (Cont'd)17.2 Other Services

Rates contained in 17.2.1 following are applicable to all issuing carriers referencing Section 5 of this tariff. Rates contained in 17.2.2 through 17.2.4 following are applicable to all issuing carriers referencing Section 13 of this tariff. Rates contained in 17.2.5 following are applicable to all issuing carriers referencing Section 10 of this tariff. Rates contained in 17.2.6 following are applicable to all issuing carriers referencing Section 11 of this tariff. Rates contained in 17.2.7 following are applicable to all issuing carriers referencing Section 12 of this tariff. See the User's Guide for more information on issuing carrier status.

17.2.1 Access Ordering(A) Access Order Charge
- Per Order

<u>Filing Entity</u>	<u>Charge</u>	<u>Tariff Section Reference</u>
Windstream North Carolina, Inc.	\$68.00	5.4.1
Windstream Florida	68.00	5.4.1
Windstream GA. Communications Corp.	68.00	5.4.1
Georgia Windstream, Inc.	68.00	5.4.1
Windstream Kentucky West	68.00	5.4.1
Windstream NY, Inc. - Fulton	68.00	5.4.1
Windstream NY, Inc. - Jamestown	68.00	5.4.1
Windstream NY, Inc. - Red Jacket	68.00	5.4.1
Oklahoma Windstream, Inc.	68.00	5.4.1
Windstream Pennsylvania	68.00	5.4.1
Windstream Sugar Land	68.00	5.4.1
Windstream Georgia	68.00	5.4.1
Windstream Mississippi	68.00	5.4.1
Windstream Missouri	68.00	5.4.1
Windstream Oklahoma	68.00	5.4.1
Windstream South Carolina	68.00	5.4.1
Windstream Western Reserve	68.00	5.4.1
Windstream Alabama	68.00	5.4.1
Texas Windstream	68.00	5.4.1
Windstream Arkansas	68.00	5.4.1
Windstream Communications Kerrville	68.00	5.4.1
Windstream Ohio	68.00	5.4.1
Windstream Concord	68.00	5.4.1
Windstream Lexcom	68.00	5.4.1
Windstream Nebraska	-	5.4.1
Windstream Kentucky East - Lexington	-	5.4.1
Windstream Kentucky East - London	-	5.4.1
Valor Oklahoma	100.00	5.4.1
Valor New Mexico #1164	75.00	5.4.1
Valor New Mexico #1193	75.50	5.4.1
Valor Texas #1163	100.00	5.4.1
Valor Texas #1181	100.00	5.4.1
Windstream Iowa Communications #1167	100.00	5.4.1
Windstream Iowa Communications #1170, #1178	100.00	5.4.1
Windstream Lakedale, Inc. #1414	68.00	5.4.1
Windstream Lakedale, Inc. #1482	68.00	5.4.1
Windstream Georgia Telephone	86.00	5.4.1
Windstream Montezuma	86.00	5.4.1
Windstream Buffalo Valley	86.00	5.4.1
Windstream Conestoga	86.00	5.4.1
Windstream D&E	86.00	5.4.1
Windstream Accucom	86.00	5.4.1

Effective: December 17, 2017

4001 Rodney Parham Rd.
Little Rock, AR 72212

17. Rates and Charges (Cont'd)17.2 Other Services (Cont'd)17.2.1 Access Ordering (Cont'd)(B) Service Date Change Charge

A Service Date Change Charge will apply, on a per order per occurrence basis, for each service date changed. The Access Order Charge as specified in 17.2.1(A) preceding does not apply. The applicable charge is:

<u>Filing Entity</u>	<u>Charge</u>	<u>Tariff Section Reference</u>
Windstream North Carolina, Inc.	\$18.00	5.4.3
Windstream Florida	18.00	5.4.3
Windstream GA. Communications Corp.	18.00	5.4.3
Georgia Windstream, Inc.	18.00	5.4.3
Windstream Kentucky West	18.00	5.4.3
Windstream NY, Inc. - Fulton	18.00	5.4.3
Windstream NY, Inc. - Jamestown	18.00	5.4.3
Windstream NY, Inc. - Red Jacket	18.00	5.4.3
Oklahoma Windstream, Inc.	18.00	5.4.3
Windstream Pennsylvania	18.00	5.4.3
Windstream Sugar Land	18.00	5.4.3
Windstream Georgia	18.00	5.4.3
Windstream Mississippi	18.00	5.4.3
Windstream Missouri	18.00	5.4.3
Windstream Oklahoma	18.00	5.4.3
Windstream South Carolina	18.00	5.4.3
Windstream Western Reserve	18.00	5.4.3
Windstream Alabama	18.00	5.4.3
Texas Windstream	18.00	5.4.3
Windstream Arkansas	18.00	5.4.3
Windstream Communications Kerrville	18.00	5.4.3
Windstream Ohio	18.00	5.4.3
Windstream Concord	18.00	5.4.3
Windstream Lexcom	18.00	5.4.3
Windstream Nebraska	22.73	5.4.3
Windstream Kentucky East - Lexington	58.61	5.4.3
Windstream Kentucky East - London	26.21	5.4.3
Valor Oklahoma	50.00	5.4.3
Valor New Mexico #1164	50.00	5.4.3
Valor New Mexico #1193	50.00	5.4.3
Valor Texas #1163	50.00	5.4.3
Valor Texas #1181	50.00	5.4.3
Windstream Iowa Communications #1167	64.66	5.4.3
Windstream Iowa Communications #1170, #1178	26.21	5.4.3
Windstream Lakedale, Inc. #1414	18.00	5.4.3
Windstream Lakedale, Inc. #1482	18.00	5.4.3
Windstream Georgia Telephone	60.00	5.4.1
Windstream Montezuma	60.00	5.4.1
Windstream Buffalo Valley	60.00	5.4.1
Windstream Conestoga	60.00	5.4.1
Windstream D&E	60.00	5.4.1
Windstream Accucom	60.00	5.4.1

Effective: December 17, 2017

4001 Rodney Parham Rd.
Little Rock, AR 72212

17. Rates and Charges (Cont'd)
- 17.2 Other Services (Cont'd)
- 17.2.1 Access Ordering (Cont'd)

(C) Design Change Charge

The Design Change Charge will apply on a per order per occurrence basis, for each order requiring design change. The applicable charge is:

<u>Filing Entity</u>	<u>Charge</u>	<u>Tariff Section Reference</u>
Windstream North Carolina, Inc.	\$18.00	5.4.3
Windstream Florida	18.00	5.4.3
Windstream GA. Communications Corp.	18.00	5.4.3
Georgia Windstream, Inc.	18.00	5.4.3
Windstream Kentucky West	18.00	5.4.3
Windstream NY, Inc. - Fulton	18.00	5.4.3
Windstream NY, Inc. - Jamestown	18.00	5.4.3
Windstream NY, Inc. - Red Jacket	18.00	5.4.3
Oklahoma Windstream, Inc.	18.00	5.4.3
Windstream Pennsylvania	18.00	5.4.3
Windstream Sugar Land	18.00	5.4.3
Windstream Georgia	18.00	5.4.3
Windstream Mississippi	18.00	5.4.3
Windstream Missouri	18.00	5.4.3
Windstream Oklahoma	18.00	5.4.3
Windstream South Carolina	18.00	5.4.3
Windstream Western Reserve	18.00	5.4.3
Windstream Alabama	18.00	5.4.3
Texas Windstream	18.00	5.4.3
Windstream Arkansas	18.00	5.4.3
Windstream Communications Kerrville	18.00	5.4.3
Windstream Ohio	18.00	5.4.3
Windstream Concord	18.00	5.4.3
Windstream Lexcom	18.00	5.4.3
Windstream Nebraska	20.47	5.4.3
Windstream Kentucky East - Lexington	27.00	5.4.3
Windstream Kentucky East - London	26.21	5.4.3
Valor Oklahoma	50.00	5.4.3
Valor New Mexico #1164	50.00	5.4.3
Valor New Mexico #1193	50.00	5.4.3
Valor Texas #1163	50.00	5.4.3
Valor Texas #1181	50.00	5.4.3
Windstream Iowa Communications #1167	49.39	5.4.3
Windstream Iowa Communications #1170, #1178	26.21	5.4.3
Windstream Lakedale, Inc. #1414	18.00	5.4.3
Windstream Lakedale, Inc. #1482	18.00	5.4.3
Windstream Georgia Telephone	84.00	5.4.3
Windstream Montezuma	84.00	5.4.3
Windstream Buffalo Valley	84.00	5.4.3
Windstream Conestoga	84.00	5.4.3
Windstream D&E	84.00	5.4.3
Windstream Accucom	84.00	5.4.3

Effective: December 17, 2017

4001 Rodney Parham Rd.
Little Rock, AR 72212

17. Rates and Charges (Cont'd)
- 17.2 Other Services (Cont'd)
- 17.2.1 Access Ordering (Cont'd)
- (D) Miscellaneous Service Order Charge
- Per Occurrence

<u>Filing Entity</u>	<u>Charge</u>	<u>Tariff Section Reference</u>
Windstream North Carolina, Inc.	\$68.00	5.4.2
Windstream Florida	68.00	5.4.2
Windstream GA. Communications Corp.	68.00	5.4.2
Georgia Windstream, Inc.	68.00	5.4.2
Windstream Kentucky West	68.00	5.4.2
Windstream NY, Inc. - Fulton	68.00	5.4.2
Windstream NY, Inc. - Jamestown	68.00	5.4.2
Windstream NY, Inc. - Red Jacket	68.00	5.4.2
Oklahoma Windstream, Inc.	68.00	5.4.2
Windstream Pennsylvania	68.00	5.4.2
Windstream Sugar Land	68.00	5.4.2
Windstream Georgia	68.00	5.4.2
Windstream Mississippi	68.00	5.4.2
Windstream Missouri	68.00	5.4.2
Windstream Oklahoma	68.00	5.4.2
Windstream South Carolina	68.00	5.4.2
Windstream Western Reserve	68.00	5.4.2
Windstream Alabama	68.00	5.4.2
Texas Windstream	68.00	5.4.2
Windstream Arkansas	68.00	5.4.2
Windstream Communications Kerrville	68.00	5.4.2
Windstream Ohio	68.00	5.4.3
Windstream Concord	68.00	5.4.3
Windstream Lexcom	68.00	5.4.3
Windstream Nebraska	27.09	5.4.3
Windstream Kentucky East - Lexington	27.00	5.4.3
Windstream Kentucky East - London	27.00	5.4.3
Valor Oklahoma	50.00	5.4.3
Valor New Mexico #1164	50.00	5.4.3
Valor New Mexico #1193	50.00	5.4.3
Valor Texas #1163	50.00	5.4.3
Valor Texas #1181	50.00	5.4.3
Windstream Iowa Communications #1167	100.00	5.4.3
Windstream Iowa Communications #1170,#1178	100.00	5.4.3
Windstream Lakedale, Inc. #1414	68.00	5.4.
Windstream Lakedale, Inc. #1482	68.00	5.4.3
Windstream Georgia Telephone	123.00	5.4.3
Windstream Montezuma	123.00	5.4.3
Windstream Buffalo Valley	123.00	5.4.3
Windstream Conestoga	123.00	5.4.3
Windstream D&E	123.00	5.4.3
Windstream Accucom	123.00	5.4.3

Effective: December 17, 2017

4001 Rodney Parham Rd.
Little Rock, AR 72212

17. Rates and Charges (Cont'd)17.2 Other Services (Cont'd)17.2.2 Additional Engineering

Regulations regarding Additional Engineering are set forth in 13.1 preceding.

- Each Half Hour or Fraction Thereof

<u>Filing Entity</u>	<u>Basic Time</u>	<u>Over Time*</u>	<u>Premium Time*</u>
Windstream North Carolina, Inc.	\$35.00	\$50.00	\$---
Windstream Florida	35.00	50.00	---
Windstream GA. Communications Corp.	35.00	50.00	---
Georgia Windstream, Inc.	35.00	50.00	---
Windstream Kentucky West	35.00	50.00	---
Windstream NY, Inc. - Fulton	35.00	50.00	---
Windstream NY, Inc. - Jamestown	35.00	50.00	---
Windstream NY, Inc. - Red Jacket	35.00	50.00	---
Oklahoma Windstream, Inc.	35.00	50.00	---
Windstream Pennsylvania	35.00	50.00	---
Windstream Sugar Land	35.00	50.00	---
Windstream Georgia	35.00	50.00	---
Windstream Mississippi	35.00	50.00	---
Windstream Missouri	35.00	50.00	---
Windstream Oklahoma	35.00	50.00	---
Windstream South Carolina	35.00	50.00	---
Windstream Western Reserve	35.00	50.00	---
Windstream Alabama	35.00	50.00	---
Texas Windstream	35.00	50.00	---
Windstream Arkansas	35.00	50.00	---
Windstream Communications Kerrville	35.00	50.00	---
Windstream Ohio	35.00	50.00	---
Windstream Concord	35.00	50.00	---
Windstream Lexcom	35.00	50.00	---
Windstream Nebraska	35.00	50.00	50.00
Windstream Kentucky East - Lexington	---	---	---
Windstream Kentucky East - London	34.42	51.64	51.64
Valor Oklahoma	37.81	56.72	75.63
Valor New Mexico #1164	37.81	56.72	75.63
Valor New Mexico #1193	37.81	56.72	75.63
Valor Texas #1163	37.81	56.72	75.63
Valor Texas #1181	37.81	56.72	75.63
Windstream Iowa Communications #1170,#1178	74.72	112.08	149.44
Windstream Lakedale, Inc. #1414	35.00	50.00	---
Windstream Lakedale, Inc. #1482	35.00	50.00	---
Windstream Georgia Telephone	31.03	46.55	62.06
Windstream Montezuma	31.03	46.55	62.06
Windstream Buffalo Valley	31.03	46.55	62.06
Windstream Conestoga	31.03	46.55	62.06
Windstream D&E	31.03	46.55	62.06
Windstream Accucom	31.03	46.55	62.06

Effective: December 17, 2017

4001 Rodney Parham Rd.
Little Rock, AR 72212

17. Rates and Charges (Cont'd)17.2 Other Services (Cont'd)17.2.3 Additional LaborInstallation or Repair and Stand By Testing

Regulations regarding Additional Labor are set forth in 13.2 preceding.

- Each Half Hour or Fraction Thereof

<u>Filing Entity</u>	<u>Basic Time</u>	<u>Over Time*</u>	<u>Premium Time*</u>	
Windstream North Carolina, Inc.	\$35.00	\$50.00	\$75.00	
Windstream Florida	35.00	50.00	75.00	
Windstream GA. Communications Corp.	35.00	50.00	75.00	
Georgia Windstream, Inc.	35.00	50.00	75.00	
Windstream Kentucky West	35.00	50.00	75.00	
Windstream NY, Inc. - Fulton	35.00	50.00	75.00	
Windstream NY, Inc. - Jamestown	35.00	50.00	75.00	
Windstream NY, Inc. - Red Jacket	35.00	50.00	75.00	
Oklahoma Windstream, Inc.	35.00	50.00	75.00	
Windstream Pennsylvania	35.00	50.00	75.00	
Windstream Sugar Land	35.00	50.00	75.00	
Windstream Georgia	35.00	50.00	75.00	
Windstream Mississippi	35.00	50.00	75.00	
Windstream Missouri	35.00	50.00	75.00	
Windstream Oklahoma	35.00	50.00	75.00	
Windstream South Carolina	35.00	50.00	75.00	
Windstream Western Reserve	35.00	50.00	75.00	
Windstream Alabama	35.00	50.00	75.00	
Texas Windstream	35.00	50.00	75.00	
Windstream Arkansas	35.00	50.00	75.00	
Windstream Communications Kerrville	35.00	50.00	75.00	
Windstream Ohio	35.00	50.00	75.00	
Windstream Concord	35.00	50.00	75.00	
Windstream Lexcom	35.00	50.00	75.00	
Windstream Nebraska	35.00	50.00	75.00	
Windstream Kentucky East - Lexington	35.98	100.00	150.00	
Windstream Kentucky East - London	24.28	75.00	125.00	
Valor Oklahoma	30.81	100.00	150.00	
Valor New Mexico #1164	30.81	100.00	150.00	
Valor New Mexico #1193	30.81	100.00	150.00	
Valor Texas #1163	30.81	100.00	150.00	
Valor Texas #1181	20.84	100.00	150.00	
Windstream Iowa Communications #1170,#1178	58.56	150.00	250.00	
Windstream Lakedale, Inc. #1414	35.00	50.00	75.00	
Windstream Lakedale, Inc. #1482	35.00	50.00	75.00	
Windstream Georgia Telephone	--	47.57	63.42	
Windstream Montezuma	--	47.57	63.42	
Windstream Buffalo Valley	--	47.57	63.42	
Windstream Conestoga	--	47.57	63.42	
Windstream D&E	--	47.57	63.42	
Windstream Accucom	--	47.57	63.42	
- First Half Hour or Fraction Thereof				
Windstream Iowa Communications #1167	58.56	150.00	250.00	(I) (I) (I)
-Each Additional Half Hour or Fraction Thereof				
Windstream Iowa Communications #1167	58.56	150.00	250.00	(I) (I) (I)

Effective: December 17, 2017

4001 Rodney Parham Rd.
Little Rock, AR 72212

17. Rates and Charges (Cont'd)17.2 Other Services (Cont'd)17.2.4 Miscellaneous Services

Regulations regarding Miscellaneous Services are set forth in 13.3 preceding.

(A) Testing and Maintenance of Service

Regulations concerning Testing and Maintenance of Service are set forth in 13.3.1 and 13.3.2 preceding.

<u>Filing Entity</u>	<u>Basic Time</u>	<u>Over Time*</u>	<u>Premium Time*</u>	
Windstream North Carolina, Inc.	\$35.00	\$50.00	\$75.00	
Windstream Florida	35.00	50.00	75.00	
Windstream GA. Communications Corp.	35.00	50.00	75.00	
Georgia Windstream, Inc.	35.00	50.00	75.00	
Windstream Kentucky West	35.00	50.00	75.00	
Windstream NY, Inc. - Fulton	35.00	50.00	75.00	
Windstream NY, Inc. - Jamestown	35.00	50.00	75.00	
Windstream NY, Inc. - Red Jacket	35.00	50.00	75.00	
Oklahoma Windstream, Inc.	35.00	50.00	75.00	
Windstream Pennsylvania	35.00	50.00	75.00	
Windstream Sugar Land	35.00	50.00	75.00	
Windstream Georgia	35.00	50.00	75.00	
Windstream Mississippi	35.00	50.00	75.00	
Windstream Missouri	35.00	50.00	75.00	
Windstream Oklahoma	35.00	50.00	75.00	
Windstream South Carolina	35.00	50.00	75.00	
Windstream Western Reserve	35.00	50.00	75.00	
Windstream Alabama	35.00	50.00	75.00	
Texas Windstream	35.00	50.00	75.00	
Windstream Arkansas	35.00	50.00	75.00	
Windstream Communications Kerrville	35.00	50.00	75.00	
Windstream Ohio	35.00	50.00	75.00	
Windstream Concord	35.00	50.00	75.00	
Windstream Lexcom	35.00	50.00	75.00	
Windstream Nebraska	35.00	50.00	75.00	
Windstream Kentucky East - Lexington	35.98	100.00	150.00	
Windstream Kentucky East - London	24.28	36.42	48.56	
Valor Oklahoma	20.84	31.26	41.67	
Valor New Mexico #1164	20.84	31.26	41.67	
Valor New Mexico #1193	20.84	31.26	41.67	
Valor Texas #1163	20.84	31.26	41.67	
Valor Texas #1181	20.84	31.26	41.67	
Windstream Iowa Communications #1170,#1178	58.56	150.00	250.00	
Windstream Lakedale, Inc. #1414	35.00	50.00	75.00	
Windstream Lakedale, Inc. #1482	35.00	50.00	75.00	
Windstream Georgia Telephone	31.71	47.57	63.42	
Windstream Montezuma	31.71	47.57	63.42	
Windstream Buffalo Valley	31.71	47.57	63.42	
Windstream Conestoga	31.71	47.57	63.42	
Windstream D&E	31.71	47.57	63.42	
Windstream Accucom	31.71	47.57	63.42	
- First Half Hour or Fraction Thereof				
Windstream Iowa Communications #1167	58.56	150.00	250.00	(I) (I) (I)
- Each Additional Half Hour or Fraction Thereof				
Windstream Iowa Communications #1167	58.56	150.00	250.00	(I) (I) (I)

Effective: December 17, 2017

4001 Rodney Parham Rd.
Little Rock, AR 72212

17. Rates and Charges (Cont'd)17.2 Other Services (Cont'd)17.2.4 Miscellaneous Services

Regulations regarding Miscellaneous Services are set forth in 13.3 preceding.

(B) Additional Testing

(1) Automatic Schedule Testing

(a) Basic Offering to First Point of Switching
- Per Transmission Path - per Month

<u>Filing Entity</u>	<u>Rate</u>
Windstream Nebraska	\$2.90
Windstream Kentucky East - Lexington	0.45
Valor Oklahoma	0.45
Valor New Mexico #1164	0.45
Valor New Mexico #1193	0.45
Valor Texas #1163	0.45
Valor Texas #1181	0.45
Windstream Iowa Communications #1167	0.45
Windstream Georgia Telephone	2.89
Windstream Montezuma	2.89
Windstream Buffalo Valley	2.89
Windstream Conestoga	2.89
Windstream D&E	2.89
Windstream Accucom	2.89

(2) Additional Cooperative Schedule Testing

(a) Basic Offering to First Point of Switching
- Per Transmission Path - per Month

<u>Filing Entity</u>	<u>Rate</u>
Valor Oklahoma	\$1.51
Valor New Mexico #1164	1.51
Valor New Mexico #1193	1.51
Valor Texas #1163	1.51
Valor Texas #1181	1.51
Windstream Iowa Communications #1167	1.63
Windstream Georgia Telephone	2.89
Windstream Montezuma	2.89
Windstream Buffalo Valley	2.89
Windstream Conestoga	2.89
Windstream D&E	2.89
Windstream Accucom	2.89

(b) Gain Slope to First Point of Switching
- Per Transmission Path - per Month

<u>Filing Entity</u>	<u>Rate</u>
Valor Oklahoma	\$0.64
Valor New Mexico #1164	0.64
Valor New Mexico #1193	0.64
Valor Texas #1163	0.64
Valor Texas #1181	0.64
Windstream Iowa Communications #1167	0.69
Windstream Georgia Telephone	2.89
Windstream Montezuma	2.89
Windstream Buffalo Valley	2.89
Windstream Conestoga	2.89
Windstream D&E	2.89
Windstream Accucom	2.89

Effective: December 17, 2017

4001 Rodney Parham Rd.
Little Rock, AR 72212

17. Rates and Charges (Cont'd)17.2 Other Services (Cont'd)17.2.4 Miscellaneous Services

Regulations regarding Miscellaneous Services are set forth in 13.3 preceding.

(B) Additional Testing

(3) Additional Manual Schedule Testing

(a) Basic Offering to First Point of Switching

- Per Transmission Path - per Month

<u>Filing Entity</u>	<u>Rate</u>
Valor Oklahoma	\$3.02
Valor New Mexico #1164	3.02
Valor New Mexico #1193	3.02
Valor Texas #1163	3.02
Valor Texas #1181	3.02
Windstream Iowa Communications #1167	3.27
Windstream Georgia Telephone	2.89
Windstream Montezuma	2.89
Windstream Buffalo Valley	2.89
Windstream Conestoga	2.89
Windstream D&E	2.89
Windstream Accucom	2.89

(b) Gain Slope to First Point of Switching

- Per Transmission Path - per Month

<u>Filing Entity</u>	<u>Rate</u>
Valor Oklahoma	\$1.29
Valor New Mexico #1164	1.29
Valor New Mexico #1193	1.29
Valor Texas #1163	1.29
Valor Texas #1181	1.29
Windstream Georgia Telephone	2.89
Windstream Montezuma	2.89
Windstream Buffalo Valley	2.89
Windstream Conestoga	2.89
Windstream D&E	2.89
Windstream Accucom	2.89

Effective: December 17, 2017

4001 Rodney Parham Rd.
Little Rock, AR 72212

17. Rates and Charges (Cont'd)17.2 Other Services (Cont'd)17.2.4 Miscellaneous Services (Cont'd)(C) Telecommunications Service Priority
- Per service arranged

<u>Filing Entity</u>	<u>Nonrecurring Charge</u>	<u>Monthly Rate</u>
Windstream North Carolina, Inc.	\$50.00	
Windstream Florida	50.00	
Windstream GA. Communications Corp.	50.00	
Georgia Windstream, Inc.	50.00	
Windstream Kentucky West	50.00	
Windstream NY, Inc. - Fulton	50.00	
Windstream NY, Inc. - Jamestown	50.00	
Windstream NY, Inc. - Red Jacket	50.00	
Oklahoma Windstream, Inc.	50.00	
Windstream Pennsylvania	50.00	
Windstream Sugar Land	50.00	
Windstream Georgia	50.00	
Windstream Mississippi	50.00	
Windstream Missouri	50.00	
Windstream Oklahoma	50.00	
Windstream South Carolina	50.00	
Windstream Western Reserve	50.00	
Windstream Alabama	50.00	
Texas Windstream	50.00	
Windstream Arkansas	50.00	
Windstream Communications Kerrville	50.00	
Windstream Ohio	50.00	
Windstream Concord	50.00	
Windstream Lexcom	50.00	
Windstream Nebraska	80.63	
Windstream Kentucky East - Lexington	14.50	\$4.90
Windstream Kentucky East - London	---	4.90
Valor Oklahoma	10.30	4.90
Valor New Mexico #1164	14.50	4.90
Valor New Mexico #1193	14.00	4.90
Valor Texas #1163	10.00	4.90
Valor Texas #1181	10.00	4.90
Windstream Iowa Communications #1167	14.50	4.90
Windstream Lakedale, Inc. #1414	50.00	
Windstream Lakedale, Inc. #1482	50.00	
Windstream Georgia Telephone	54.63	
Windstream Montezuma	54.63	
Windstream Buffalo Valley	54.63	
Windstream Conestoga	54.63	
Windstream D&E	54.63	
Windstream Accucom	54.63	

- Restoration Priority Level Implementation When
Added or Changed on an Existing Service.

<u>Filing Entity</u>	<u>Rate</u>
Valor New Mexico #1193	\$104.02
Valor Texas #1181	104.02
Windstream Iowa Communications #1170,#1178	104.02

Effective: December 17, 2017

4001 Rodney Parham Rd.
Little Rock, AR 72212

17. Rates and Charges (Cont'd)
 17.2 Other Services (Cont'd)
 17.2.4 Miscellaneous Services (Cont'd)

(D) Controller Arrangement

	<u>Monthly Rate</u>
Per arrangement	
Windstream Nebraska	\$ 94.65
Windstream Kentucky East - London	100.00
Valor New Mexico #1193	100.00
Valor Texas #1181	100.00
Windstream Iowa Communications #1170,#1178	100.00
Windstream Georgia Telephone	100.00
Windstream Montezuma	100.00
Windstream Buffalo Valley	100.00
Windstream Conestoga	100.00
Windstream D&E	100.00
Windstream Accucom	100.00

(P) Charges for Miscellaneous Service (Cont'd)

- Additional copies of the customer's cyclic bill.

	<u>Monthly Rate</u>
(D) Paper - per 1,000 printed lines	
Windstream Nebraska	\$0.71
Windstream Kentucky East - Lexington	0.71
Windstream Kentucky East - London	0.71

Effective: December 17, 2017

4001 Rodney Parham Rd.
Little Rock, AR 72212

17. Rates and Charges (Cont'd)

17.2 Other Services (Cont'd)

17.2.5 Special Facilities Routing of Access Services

(A) Diversity

For each service provided in accordance with 11.1.1 preceding, the rates and charges will be developed on an individual case basis.

(B) Avoidance

For each service provided in accordance with 11.1.2 preceding, the rates and charges will be developed on an individual case basis.

(C) Diversity and Avoidance Combined

For each service provided in accordance with 11.1.3 preceding, the rates and charges will be developed on an individual case basis.

- 17. Rates and Charges (Cont'd)
- 17.2 Other Services (Cont'd)
- 17.2.6 Specialized Service or Arrangements

Specialized Service or Arrangements are provided in accordance with 12.1 preceding on an individual case basis as set forth following:

- A) Fiber Optic Terminating Equipment for Westinghouse Corporation located in Windstream Carolina's Rural Hall exchange.

Monthly rate per DS1 riding fiber facility \$212.00
(Tariff Reference 12.2.1)

- B) Non multiplexed DS3 rate from Sugar Land central office to following locations in Houston:

	<u>Houston Location</u>	<u>Month to Month</u>	<u>36 Month Contract</u>	<u>60 Month Contract</u>	<u>Nonrecurring</u>
Rate per DS3, no MUX	AT&T01 POP	\$3955.05	\$3291.20	\$3018.35	\$363.00
Rate per DS3, no MUX	AT&TFY POP	\$3553.85	\$3019.20	\$2763.35	\$363.00
Rate per DS3, no MUX	MCI POP	\$3553.85	\$3019.20	\$2763.35	\$363.00
Rate per DS3, no MUX	Sprint POP	\$4155.65	\$3427.20	\$3145.85	\$363.00

- C) CyberPort TCP/IP Access for UUNET Communications

Billed Channel

<u>Jurisdiction</u>	
Valor Oklahoma #1165	42.00
Valor New Mexico #116	42.00
Valor New Mexico #116	42.00
Valor Texas #1163	42.00
Valor Texas #1181	42.00

17. Rates and Charges (Cont'd)17.2 Other Services (Cont'd)17.2.7 Public Packet Data Network(A) Frame Relay Access Service

Regulations concerning Frame Relay Access Service are set forth in 16.1 preceding.

Connections

(1) Frame Relay Access Connection UNI Port and Access Line (FRAC) Per FRAC

	<u>Monthly Rate</u>	<u>NRC Charge</u>
56.0/64.0 kbps		
Valor Oklahoma #1165	140.00	295.00
Valor New Mexico #1164	140.00	295.00
Valor New Mexico #1193	140.00	295.00
Valor Texas #1163	110.00	195.00
Valor Texas #1181	140.00	295.00
Windstream Iowa Communications #1167	140.00	295.00
Windstream Iowa Communications #1170,#1178	140.00	295.00
1.544 Mbps		
Valor Oklahoma #1165	625.00	395.00
Valor New Mexico #1164	625.00	395.00
Valor New Mexico #1193	625.00	395.00
Valor Texas #1163	530.00	395.00
Valor Texas #1181	625.00	395.00
Windstream Iowa Communications #1167	625.00	395.00
Windstream Iowa Communications #1170,#1178	625.00	395.00

(2) Frame Relay Network to Network Interconnection Port (FRIC) Per FRIC

1.544 Mbps		
Valor Oklahoma #1165	180.00	295.00
Valor New Mexico #1164	180.00	295.00
Valor New Mexico #1193	180.00	295.00
Valor Texas #1163	180.00	295.00
Valor Texas #1181	180.00	295.00
Windstream Iowa Communications #1167	180.00	295.00
Windstream Iowa Communications #1170,#1178	180.00	295.00
44.736 Mbps		
Valor Oklahoma #1165	800.00	595.00
Valor New Mexico #1164	800.00	595.00
Valor New Mexico #1193	800.00	595.00
Valor Texas #1163	800.00	595.00
Valor Texas #1181	800.00	595.00
Windstream Iowa Communications #1167	800.00	595.00
Windstream Iowa Communications #1170,#1178	800.00	595.00

Effective: December 17, 2017

4001 Rodney Parham Rd.
Little Rock, AR 72212

17. Rates and Charges (Cont'd)
- 17.2 Other Services (Cont'd)
- 17.2.7 Public Packet Data Network (Cont'd)
- (A) Frame Relay Access Service (Cont'd)

(3)	<u>End User Port</u> (per port)	<u>Monthly Rate</u>	<u>NRC Charge</u>
	56.0/64.0 kbps		
	Valor Oklahoma #1165	24.00	95.00
	Valor New Mexico #1164	24.00	95.00
	Valor New Mexico #1193	24.00	95.00
	Valor Texas #1163	24.00	95.00
	Valor Texas #1181	24.00	95.00
	Windstream Iowa Communications #1167	24.00	95.00
	Windstream Iowa Communications #1170,#1178	24.00	95.00
	1.544 Mbps		
	Valor Oklahoma #1165	240.00	395.00
	Valor New Mexico #1164	240.00	395.00
	Valor New Mexico #1193	240.00	395.00
	Valor Texas #1163	213.00	295.00
	Valor Texas #1181	240.00	395.00
	Windstream Iowa Communications #1167	240.00	395.00
	Windstream Iowa Communications #1170,#1178	240.00	395.00
	44.736 Mbps		
	Valor Oklahoma #1165	1,300.00	395.00
	Valor New Mexico #1164	1,300.00	395.00
	Valor New Mexico #1193	1,300.00	395.00
	Valor Texas #1163	1,080.00	395.00
	Valor Texas #1181	1,300.00	395.00
	Windstream Iowa Communications #1167	1,300.00	395.00
	Windstream Iowa Communications #1170,#1178	1,300.00	395.00

Effective: December 17, 2017

4001 Rodney Parham Rd.
Little Rock, AR 72212

17. Rates and Charges (Cont'd)17.2 Other Services (Cont'd)17.2.7 Public Packet Data Network (Cont'd)(A) Frame Relay Access Service (Cont'd)(4) Permanent Virtual Connections (PVCs)

	<u>Monthly Rate</u>
0-32 kbps	
Valor Oklahoma #1165	8.00
Valor New Mexico #1164	8.00
Valor New Mexico #1193	8.00
Valor Texas #1163	8.00
Valor Texas #1181	8.00
Windstream Iowa Communications #1167	8.00
Windstream Iowa Communications #1170,#1178	8.00
33-64 kbps	
Valor Oklahoma #1165	15.00
Valor New Mexico #1164	15.00
Valor New Mexico #1193	15.00
Valor Texas #1163	15.00
Valor Texas #1181	15.00
Windstream Iowa Communications #1167	15.00
Windstream Iowa Communications #1170,#1178	15.00
65-96 kbps	
Valor Oklahoma #1165	22.00
Valor New Mexico #1164	22.00
Valor New Mexico #1193	22.00
Valor Texas #1163	22.00
Valor Texas #1181	22.00
Windstream Iowa Communications #1167	21.00
Windstream Iowa Communications #1170,#1178	22/00
97-128 kbps	
Valor Oklahoma #1165	27.00
Valor New Mexico #1164	27.00
Valor New Mexico #1193	27.00
Valor Texas #1163	27.00
Valor Texas #1181	27.00
Windstream Iowa Communications #1167	25.00
Windstream Iowa Communications #1170,#1178	27.00

Effective: December 17, 2017

4001 Rodney Parham Rd.
Little Rock, AR 72212

17. Rates and Charges (Cont'd)17.2 Other Services (Cont'd)17.2.7 Public Packet Data Network (Cont'd)(A) Frame Relay Access Service (Cont'd)(4) Permanent Virtual Connections (PVCs) (Cont'd)

	<u>Monthly Rate</u>
129-192 kbps	
Valor Oklahoma #1165	36.00
Valor New Mexico #1164	36.00
Valor New Mexico #1193	36.00
Valor Texas #1163	36.00
Valor Texas #1181	36.00
Windstream Iowa Communications #1167	34.00
Windstream Iowa Communications #1170,#1178	36.00
193-256 kbps	
Valor Oklahoma #1165	42.00
Valor New Mexico #1164	42.00
Valor New Mexico #1193	42.00
Valor Texas #1163	42.00
Valor Texas #1181	42.00
Windstream Iowa Communications #1167	42.00
Windstream Iowa Communications #1170,#1178	43.00
257-320 kbps	
Valor Oklahoma #1165	48.00
Valor New Mexico #1164	48.00
Valor New Mexico #1193	48.00
Valor Texas #1163	48.00
Valor Texas #1181	48.00
Windstream Iowa Communications #1167	48.00
Windstream Iowa Communications #1170,#1178	48.00
321-384 kbps	
Valor Oklahoma #1165	54.00
Valor New Mexico #1164	54.00
Valor New Mexico #1193	54.00
Valor Texas #1163	54.00
Valor Texas #1181	54.00
Windstream Iowa Communications #1167	54.00
Windstream Iowa Communications #1170,#1178	54.00

Effective: December 17, 2017

4001 Rodney Parham Rd.
Little Rock, AR 72212

17. Rates and Charges (Cont'd)17.2 Other Services (Cont'd)17.2.7 Public Packet Data Network (Cont'd)(A) Frame Relay Access Service (Cont'd)(4) Permanent Virtual Connections (PVCs) (Cont'd)

	<u>Monthly Rate</u>
385-512 kbps	
Valor Oklahoma #1165	60.00
Valor New Mexico #1164	60.00
Valor New Mexico #1193	60.00
Valor Texas #1163	60.00
Valor Texas #1181	60.00
Windstream Iowa Communications #1167	60.00
Windstream Iowa Communications #1170,#1178	60.00
513-768 kbps	
Valor Oklahoma #1165	70.00
Valor New Mexico #1164	70.00
Valor New Mexico #1193	70.00
Valor Texas #1163	70.00
Valor Texas #1181	70.00
Windstream Iowa Communications #1167	70.00
Windstream Iowa Communications #1170,#1178	70.00
769-1152 kbps	
Valor Oklahoma #1165	80.00
Valor New Mexico #1164	80.00
Valor New Mexico #1193	80.00
Valor Texas #1163	80.00
Valor Texas #1181	80.00
Windstream Iowa Communications #1167	80.00
Windstream Iowa Communications #1170,#1178	80.00
1153-1536 kbps	
Valor Oklahoma #1165	90.00
Valor New Mexico #1164	90.00
Valor New Mexico #1193	90.00
Valor Texas #1163	90.00
Valor Texas #1181	90.00
Windstream Iowa Communications #1167	90.00
Windstream Iowa Communications #1170,#1178	90.00

Effective: December 17, 2017

4001 Rodney Parham Rd.
Little Rock, AR 72212

17. Rates and Charges (Cont'd)17.2 Other Services (Cont'd)17.2.7 Public Packet Data Network (Cont'd)(A) Frame Relay Access Service (Cont'd)(4) Permanent Virtual Connections (PVCs) (Cont'd)

1537-4000 kbps

Valor Oklahoma #1165	120.00
Valor New Mexico #1164	120.00
Valor New Mexico #1193	120.00
Valor Texas #1163	120.00
Valor Texas #1181	120.00
Windstream Iowa Communications #1167	120.00
Windstream Iowa Communications #1170,#1178	120.00

(5) PVC Installation Charge Nonrecurring Charge

Valor Oklahoma #1165	20.00
Valor New Mexico #1164	20.00
Valor New Mexico #1193	20.00
Valor Texas #1163	20.00

(6) PVC Rearrangement Charge Nonrecurring Charge

Valor Oklahoma	20.00
Valor New Mexico #1164	20.00
Valor New Mexico #1193	20.00
Valor Texas #1163	20.00
Valor Texas #1181	20.00

Effective: December 17, 2017

4001 Rodney Parham Rd.
Little Rock, AR 72212

17. Rates and Charges (Cont'd)
- 17.2 Other Services (Cont'd)
- 17.2.7 Public Packet Data Network (Cont'd)
- (A) Frame Relay Access Service (Cont'd)

(7) Term Payment Plan(A) Frame Relay UNI Port and Access Line each(1) 56/64 Kbps Monthly Rate**Non -
Recurring**

		<u>One Year</u>	<u>Three Year</u>	
Valor New Mexico #1164	295.00	135.00	125.00	120.00
Valor New Mexico #1193	295.00	135.00	125.00	120.00
Valor Oklahoma #1165	295.00	135.00	125.00	120.00
Valor Texas #1163	195.00	105.00	95.00	85.00
Valor Texas #1181	195.00	105.00	95.00	85.00
Windstream Iowa Communications #1167	295.00	135.00	125.00	120.00
Windstream Iowa Communications #1170,#1178	295.00	135.00	125.00	120.00

(2) 128 Kbps Monthly Rate

Valor New Mexico #1164	395.00	180.00	165.00	160.00
Valor New Mexico #1193	395.00	180.00	165.00	160.00
Valor Oklahoma #1165	395.00	180.00	165.00	160.00
Valor Texas #1163	395.00	180.00	165.00	160.00
Valor Texas #1181	395.00	180.00	165.00	160.00
Windstream Iowa Communications #1167	395.00	180.00	165.00	160.00

(3) 256 Kbps Monthly Rate

New Mexico #1164	395.00	250.00	235.00	220.00
New Mexico #1193	395.00	250.00	235.00	220.00
Oklahoma #1165	395.00	250.00	235.00	220.00
Texas #1163	395.00	250.00	235.00	220.00
Texas #1181	395.00	250.00	235.00	220.00
Windstream Iowa Communications #1167	395.00	250.00	235.00	220.00

Effective: December 17, 2017

4001 Rodney Parham Rd.
Little Rock, AR 72212

17. Rates and Charges (Cont'd)
 17.2 Other Services (Cont'd)
 17.2.7 Public Packet Data Network (Cont'd)

(A) Frame Relay Access Service (Cont'd)(7) Term Payment Plan (Cont'd)(A) Frame Relay UNI Port and Access Line each(4) 384 Kbps Monthly Rate

Non-
recurring

		<u>One Year</u>	<u>Three Year</u>	<u>Five Year</u>
Valor New Mexico #1164	395.00	370.00	355.00	340.00
Valor New Mexico #1193	395.00	370.00	355.00	340.00
Valor Oklahoma #1165	395.00	370.00	355.00	340.00
Valor Texas #1163	395.00	370.00	355.00	340.00
Valor Texas #1181	395.00	370.00	355.00	340.00
Windstream Iowa Communications #1167	395.00	345.00	335.00	320.00

(5) 512 Kbps Monthly Rate

Valor New Mexico #1164	395.00	410.00	395.00	380.00
Valor New Mexico #1193	395.00	410.00	395.00	380.00
Valor Oklahoma #1165	395.00	410.00	395.00	380.00
Valor Texas #1163	395.00	410.00	395.00	380.00
Valor Texas #1181	395.00	410.00	395.00	380.00

(6) 768 Kbps Monthly Rate

Valor New Mexico #1164	395.00	450.00	440.00	425.00
Valor New Mexico #1193	395.00	450.00	440.00	425.00
Valor Oklahoma #1165	395.00	450.00	440.00	425.00
Valor Texas #1163	395.00	450.00	440.00	425.00
Valor Texas #1181	395.00	450.00	440.00	425.00

(7) 1.544 Mbps Monthly Rate

Valor New Mexico #1164	395.00	580.00	560.00	535.00
Valor New Mexico #1193	395.00	580.00	560.00	535.00
Valor Oklahoma #1165	395.00	580.00	560.00	535.00
Valor Texas #1163	395.00	510.00	490.00	470.00
Valor Texas #1181	395.00	510.00	490.00	470.00
Windstream Iowa Communications #1167	395.00	580.00	560.00	535.00
Windstream Iowa Communications #1170,#1178	395.00	580.00	560.00	535.00

Effective: December 17, 2017

4001 Rodney Parham Rd.
Little Rock, AR 72212

17. Rates and Charges (Cont'd)17.2 Other Services (Cont'd)17.2.7 Public Packet Data Network (Cont'd)(A) Frame Relay Access Service (Cont'd)(7) Term Payment Plan (Cont'd)(B) Frame Relay UNI Port Only each(1) 56/64 Kbps Monthly Rate

	Nonrecurring	One Year	Three Year	
Valor New Mexico #1164	95.00	23.00	22.00	21.00
Valor New Mexico #1193	95.00	23.00	22.00	21.00
Valor Oklahoma #1165	95.00	23.00	22.00	21.00
Valor Texas #1163	95.00	23.00	22.00	21.00
Valor Texas #1181	95.00	23.00	22.00	21.00
Windstream Iowa Communications #1167	95.00	23.00	21.00	21.00

(2) 128 Kbps Monthly Rate

Valor New Mexico #1164	150.00	75.00	70.00	68.00
Valor New Mexico #1193	150.00	75.00	70.00	68.00
Valor Oklahoma #1165	150.00	75.00	70.00	68.00
Valor Texas #1163	150.00	75.00	70.00	68.00
Valor Texas #1181	150.00	75.00	70.00	68.00
Windstream Iowa Communications #1167	150.00	75.00	70.00	68.00

(3) 256 Kbps Monthly Rate

Valor New Mexico #1164	150.00	110.00	105.00	100.00
Valor New Mexico #1193	150.00	110.00	105.00	100.00
Valor Oklahoma #1165	150.00	110.00	105.00	100.00
Valor Texas #1163	150.00	110.00	105.00	100.00
Valor Texas #1181	150.00	110.00	105.00	100.00
Windstream Iowa Communications #1167	150.00	110.00	105.00	100.00

(4) 384 Kbps Monthly Rate

Valor New Mexico #1164	150.00	110.00	105.00	100.00
Valor New Mexico #1193	150.00	110.00	105.00	100.00
Valor Oklahoma #1165	150.00	110.00	105.00	100.00
Valor Texas #1163	150.00	110.00	105.00	100.00
Valor Texas #1181	150.00	110.00	105.00	100.00
Windstream Iowa Communications #1167	150.00	150.00	140.00	130.00

(5) 512 Kbps Monthly Rate

Valor New Mexico #1164	150.00	170.00	160.00	145.00
Valor New Mexico #1193	150.00	170.00	160.00	145.00
Valor Oklahoma #1165	150.00	170.00	160.00	145.00
Valor Texas #1163	150.00	170.00	160.00	145.00
Valor Texas #1181	150.00	170.00	160.00	145.00

Effective: December 17, 2017

4001 Rodney Parham Rd.
Little Rock, AR 72212

17. Rates and Charges (Cont'd)17.2 Other Services (Cont'd)17.2.7 Public Packet Data Network (Cont'd)(A) Frame Relay Access Service (Cont'd)(7) Term Payment Plan (Cont'd)(B) Frame Relay UNI Port Only each(6) 768 Kbps Monthly Rate

	Nonrecurring Charge	One Year	Three Year	Five Year
Valor New Mexico #1164	150.00	190.00	175.00	155.00
Valor New Mexico #1193	150.00	190.00	175.00	155.00
Valor Oklahoma #1165	150.00	190.00	175.00	155.00
Valor Texas #1163	150.00	190.00	175.00	155.00
Valor Texas #1181	150.00	190.00	175.00	155.00

(7) 1.544 Mbps Monthly Rate

Valor New Mexico #1164	395.00	230.00	220.00	210.00
Valor New Mexico #1193	395.00	230.00	220.00	210.00
Valor Oklahoma #1165	395.00	230.00	220.00	210.00
Valor Texas #1163	295.00	211.00	208.00	205.00
Valor Texas #1181	395.00	211.00	208.00	205.00
Windstream Communications #1167	395.00	230.00	220.00	210.00
Windstream Communications #1170,#1178	395.00	230.00	220.00	210.00

(8) 45 Mbps Monthly Rate

Valor New Mexico #1164	395.00	1,270.00	1,230.00	1,200.00
Valor New Mexico #1193	395.00	1,270.00	1,230.00	1,200.00
Valor Oklahoma #1165	395.00	1,270.00	1,230.00	1,200.00
Valor Texas #1163	295.00	1,040.00	1,010.00	970.00
Valor Texas #1181	395.00	1,040.00	1,010.00	970.00
Windstream Communications #1167	395.00	1,270.00	1,230.00	1,200.00
Windstream Communications #1170,#1178	395.00	1,270.00	1,230.00	1,200.00

Effective: December 17, 2017

4001 Rodney Parham Rd.
Little Rock, AR 72212

- 17. Rates and Charges (Cont'd)
- 17.2 Other Services (Cont'd)
- 17.2.7 Public Packet Data Network (Cont'd)

(A) Frame Relay Access Service (Cont'd)

(7) Term Payment Plan (Cont'd)

(C) Frame Relay NNI Port Only each

(1) 384 Kbps (6x64 Kbps/FT1) Monthly Rate

	Non- Recurring Charge	One Year	Three Year	Five Year
Valor Texas #1163	295.00	75.00	72.00	69.00
Windstream Iowa Communications #1167	295.00	75.00	72.00	69.00
Windstream Iowa Communications #1170,#1178	295.00	75.00	72.00	69.00

(2) 1.544 Mbps Monthly Rate

Valor New Mexico #1164	295.00	170.00	160.00	150.00
Valor Oklahoma #1165	295.00	170.00	160.00	150.00
Valor Texas #1163	295.00	170.00	160.00	150.00
Windstream Iowa Communications #1167	295.00	170.00	160.00	150.00
Windstream Iowa Communications #1170,#1178	295.00	170.00	160.00	150.00

(3) 45 Mbps Monthly Rate

Valor New Mexico #1164	595.00	750.00	725.00	700.00
Valor Oklahoma #1165	595.00	750.00	725.00	700.00
Valor Texas #1163	595.00	750.00	725.00	700.00
Windstream Iowa Communications #1167	595.00	750.00	725.00	700.00
Windstream Iowa Communications #1170,#1178	595.00	750.00	725.00	700.00

(D) Frame Relay PVC each

(1) Excluding 45 Mbps Monthly Rate

Valor Texas #1163	20.00	7.00	6.00	5.00
-------------------	-------	------	------	------

17. Rates and Charges (Cont'd)17.3 Ethernet Virtual LAN Service (EVLS)A. Month-to-Month Rates

<u>Monthly Type of Service</u>	<u>Rate</u>	<u>Nonrecurring Charge</u>
1.5 Mbps	\$ 275.00	\$ 200.00
3.0 Mbps	300.00	200.00
5.0 Mbps	450.00	200.00
6.0 Mbps	490.00	200.00
9.0 Mbps	855.00	200.00
10.0 Mbps	705.00	200.00
12.0 Mbps	1043.00	200.00
15.0 Mbps	830.00	200.00
20.0 Mbps	940.00	200.00
25.0 Mbps	1082.00	200.00
30.0 Mbps	1216.00	200.00
35.0 Mbps	1272.00	500.00
40.0 Mbps	1289.00	500.00
45.0 Mbps	1350.00	500.00
50.0 Mbps	1311.00	500.00
100 Mbps	1534.00	500.00
150 Mbps	3200.00	500.00
200 Mbps	2147.00	500.00
300 Mbps	2511.00	500.00
400 Mbps	2875.00	500.00
500 Mbps	3079.00	500.00
600 Mbps	3264.00	500.00
700 Mbps	3426.00	500.00
800 Mbps	3474.00	500.00
900 Mbps	3489.00	500.00
1000 Mbps	3505.00	500.00

C

B. Term Plan Discounts

<u>Plan Length</u>	<u>Discount %</u>
24 Months	5%
36 Months	10%
48 Months	15%
60 Months	20%

Effective:
February 20, 2020

4001 Rodney Parham Rd.
Little Rock, AR 72212

18. RATE ZONE WIRE CENTERS18.1 General

This section contains a list of each Telephone Company wire center that has been assigned to a rate zone. Rate zones are applicable to the services specified in 7. This table lists, by jurisdiction, wire centers assigned to Rate Zones 1, 2, and 3.

State Zone CLLI Wire Centers

<u>State</u>	<u>Zone</u>	<u>CLLI</u>	<u>Wire Centers</u>
OK	1	BRAROKXB	BROKEN ARROW WEST
	2	BRAROKXA	BROKEN ARROW MAIN
	2	BRAROKXC	BROKEN ARROW SOUTH
	2	PRCLOKXA	PURCELL
	3	ASHROKXA	ASHER
	3	AVNTOKXC	AVANT
	3	BRAROKXD	BROKEN ARROW NORTH
	3	BRAROKXE	BROKEN ARROW EAST
	3	BRNSOKXA	BARNSDALL
	3	BYTNOKXB	BOYNTON
	3	CHTHOKXD	CHECOTAH
	3	COWTOKXB	COWETA
	3	FRFXOKXA	FAIRFAX
	3	HMNYOKXB	HOMINY
	3	HSKLOKXA	HASKELL
	3	KWCYOKXA	KAW CITY
	3	LNDSOKXA	LINDSAY
	3	MEKROKXA	MEEKER
	3	MRRSOKXC	MORRIS
	3	MYVLOKXA	MAYSVILLE
	3	PADNOKXA	PADEN
	3	PRAGOKXA	PRAGUE
	3	PTEROKXC	PORTER
	3	RAMNOKXA	RAMONA
	3	SNGHOKXA	SNUG HARBOR
	3	STLSOKXA	ST. LOUIS
	3	STRDOKXA	STROUD
	3	TCMSOKXB	TECUMSEH
	3	WASHOKXA	WASHINGTON
	3	WAYNOKXA	WAYNE
3	WGNROKXD	WAGONER	

Effective: February 20, 2020

4001 Rodney Parham Rd.
Little Rock, AR 72212

18. RATE ZONE WIRE CENTERS (Cont'd)

18.1 General (Cont'd)

<u>State</u>	<u>Zone</u>	<u>CLLI</u>	<u>Wire Centers</u>
TX	1	TXRKTXXX	TEXARKANA MAIN*
	2	LVLDTXXX	LEVELLAND*
	2	TXRKTXXB	TEXARKANA WEST*
	3	ABRNTXXX	ABERNATHY
	3	AMHRTXXX	AMHERST*
	3	ANNNTXXX	ANNOVA*
	3	ANTNTXXX	ANTON*
	3	ASPRTXXX	ASPERMONT*
	3	AVNGTXXX	AVINGER*
	3	BKVLTXXX	BECKVILLE*
	3	BLGVTXXX	BLOOMING GROVE*
	3	BLWLTXXX	BLACKWELL*
	3	BNJMTXXX	BENJAMIN*
	3	BOKRTXXX	BOOKER
	3	BOVNTXXX	BOVINA*
	3	BWFDTXXX	BROWNFIELD*
	3	BYNMTXXX	BYNUM*
	3	CLADTXXB	CLAUDE*
	3	CLDNTXXX	CLARENDON*
	3	CLVLTXXX	CLARKSVILLE*
	3	CSTNTXXX	CROSBYTON*
	3	DDSNTXXX	DODSON*
	3	DGVLTXXX	DOUGLASSVILLE*
	3	DKLBTXXX	DEKALB*
	3	DLHRTXXX	DALHART*
	3	DNCYTXXX	DENVER CITY*
	3	DNFDTXXX	DAINGERFIELD*
	3	DRZTXXB	DARROUZETT*
	3	DWSNTXXX	DAWSON*
	3	ESTLTXXX	ESTELINE
	3	FLLTXXXA	FOLLETT*
	3	FRINTXXX	FRIONA*
	3	FRSATXXX	FORSAN*
	3	FRSTTXXX	FROST*
	3	GROMTXXX	GROOM*
	3	GVTNTXXX	GROVETON*
	3	HBRDTXXX	HUBBARD*
	3	HDLYTXXX	HEDLEY*
	3	HGNSTXXX	HIGGINS*
	3	HGSPTXXX	HUGHES SPRINGS*
3	HLDYTXXX	HOLLIDAY*	
3	HPPYTXXX	HAPPY	
3	HRWDTXXX	HURLWOOD*	
3	HSKLTXXX	HASKELL*	
3	IDALTXXX	IDALOU*	

Effective: February 20, 2020

4001 Rodney Parham Rd.
Little Rock, AR 72212

18. RATE ZONE WIRE CENTERS (Cont'd)18.1 General (Cont'd)

<u>State</u>	<u>Zone</u>	<u>CLLI</u>	<u>Wire Centers</u>
TX	3	KNCYTXXA	KNOX CITY*
	3	LAMSTXXA	LAMESA*
	3	LKVWTXXA	LAKEVIEW*
	3	LNDNTXXA	LINDEN*
	3	LNSTTXXA	LONE STAR*
	3	LRNZTXXA	LORENZO
	3	LTFDTXXA	LITTLEFIELD*
	3	MALNTXXA	MALONE*
	3	MBTETXXA	MOBEETIE*
	3	MEDWTXXA	MEADOW*
	3	MGRGTXXA	MEGARGEL*
	3	MIAMTXXA	MIAMI*
	3	MMPHTXXA	MEMPHIS*
	3	MNDYTXXA	MUNDAY*
	3	MRTNTXXA	MORTON*
	3	MRTTXXA	MARIETTA*
	3	MTCLTXXA	MOUNT CALM*
	3	NBTNTXXB	NEW BOSTON*
	3	NPLSTXXA	NAPLES*
	3	PNHDTXXA	PANHANDLE*
	3	POSTTXXA	POST*
	3	PTBGTXA	PETERSBURG*
	3	PYTNTXXA	PERRYTON*
	3	RALSTXXA	RALLS*
	3	ROCHTXXA	ROCHESTER*
	3	RPVLTXXA	ROPESVILLE*
	3	RULETXXA	RULE*
	3	SGRVTXXA	SEAGRAVES*
	3	SHLWTXXA	SHALLOWATER*
	3	SMYRTXXA	SMYER*
	3	SNDWTXXA	SUNDOWN*
	3	SPDETXXA	SPADE*
	3	SPMNTXXA	SPEARMAN
	3	SRFRTXXA	STRATFORD*
	3	SYMRTXXA	SEYMOUR*
	3	THKATXXA	TAHOKA*
	3	THRKTXXA	THROCKMORTON*
	3	TRNYTXXA	TRINITY*
	3	WGTNTXXA	WELLINGTON*
	3	WHDRTXXA	WHITE DEER*
	3	WHFCTXXA	WHITEFACE*
	3	WHLRTXXA	WHEELER*
	3	WLFTTXXA	WOLFFORTH*
	3	WLSNTXXA	WILSON*
	3	WNRRTXXA	WEINERT*
	3	WTRLTXXA	WHITHARRAL*

Effective: February 20, 2020

4001 Rodney Parham Rd.
Little Rock, AR 72212

19. Metropolitan Statistical Area Access Services19.1 General Regulations

- A. This Section of the Guidebook provides the regulations, rates and terms and conditions that apply to telecommunications services provided by the Company in the Metropolitan Statistical Areas (MSAs) in which the Company has received Phase II pricing flexibility pursuant to Subpart H of Part 69 of the Commission's Rules. MSAs are divided into two categories: Full Service Relief MSAs and Limited Service Relief MSAs.
1. Full Service Relief MSAs are those MSAs in which the Company has qualified for Phase II pricing flexibility for all elements of service, i.e., local channels (channel terminations) between LEC end offices and customer (end user) premises; entrance facilities; dedicated interoffice facilities; local channels (channel terminations) between an interexchange carrier's point of presence and a serving wire center. The Full Service Relief MSAs are set forth in Section 19.2.A.1 following.
 2. Limited Service Relief MSAs are those MSAs in which the Company has qualified for Phase II pricing flexibility for all elements of service except local channels (channel terminations) between a LEC end office and a customer (end user) premises. The Limited Service Relief MSAs are set forth in Section 19.2.A.2 following.
- B. The services provided in MSAs pursuant to this Section of the guidebook are set forth in Section 19.3 following.
1. The general regulations, service descriptions, optional features, service provisioning, obligations of the Telephone Company and customer, and rate regulations set forth in Section 7 preceding for special access services are applicable to the pricing flexibility services specified in this section.
 2. Where the regulations in Section 7 conflict with those set forth in this section, the regulations specified herein for the provision of switched and special access services in the Telephone Company's pricing flexibility MSAs will supersede any inconsistencies.
- C. Unless otherwise provided in this Section, regulations set forth in Sections 1, 2, 5, and 13 are applicable to special access services provided in the Telephone Company's pricing flexibility MSAs.

Effective: December 1, 2020

19. Metropolitan Statistical Area Access Services (Cont'd)19.2 Metropolitan Statistical Areas

A. Listed below are the MSAs and associated Exchanges that have been granted relief by the F.C.C.

1. Full Service Relief MSAs are listed below:

State	MSA	Exchange
Texas	Houston	Sugar Land
Texas	Houston	Sweeny

2. Limited Service Relief MSAs are listed below:

State	MSA	Exchange
Kentucky	Lexington	Lexington East
Kentucky	Lexington	Lexington Elkhorn
Kentucky	Lexington	Lexington Lakeside
Kentucky	Lexington	Lexington Main
Kentucky	Lexington	Lexington North
Kentucky	Lexington	Lexington South
Kentucky	Lexington	Lexington Southeast
Kentucky	Lexington	Lexington UNV KY
Kentucky	Lexington	Midway
Kentucky	Lexington	Nicholasville
Kentucky	Lexington	Versailles
Kentucky	Lexington	Wilmore
Kentucky	Lexington	Berea

19.3 Services Available in an MSA

A. Special Access Services

Voice Grade
Program Audio
Video
Digital Data
High Capacity DS1
High Capacity DS3
Digital FT1
Synchronous Optical Channel

Effective: December 1, 2020

4001 Rodney Parham Rd.
Little Rock, AR 72212

19. Metropolitan Statistical Area Access Services (Cont'd)

19.4 Application of Rates and Charges

A. Figure 1 illustrates services provided totally from an MSA located in a Full Service Relief Area. The rates and charges for all associated rate elements for services in a Full Service Relief Area are obtained from Section 19.5 of this Guidebook.

Full Service Relief Area

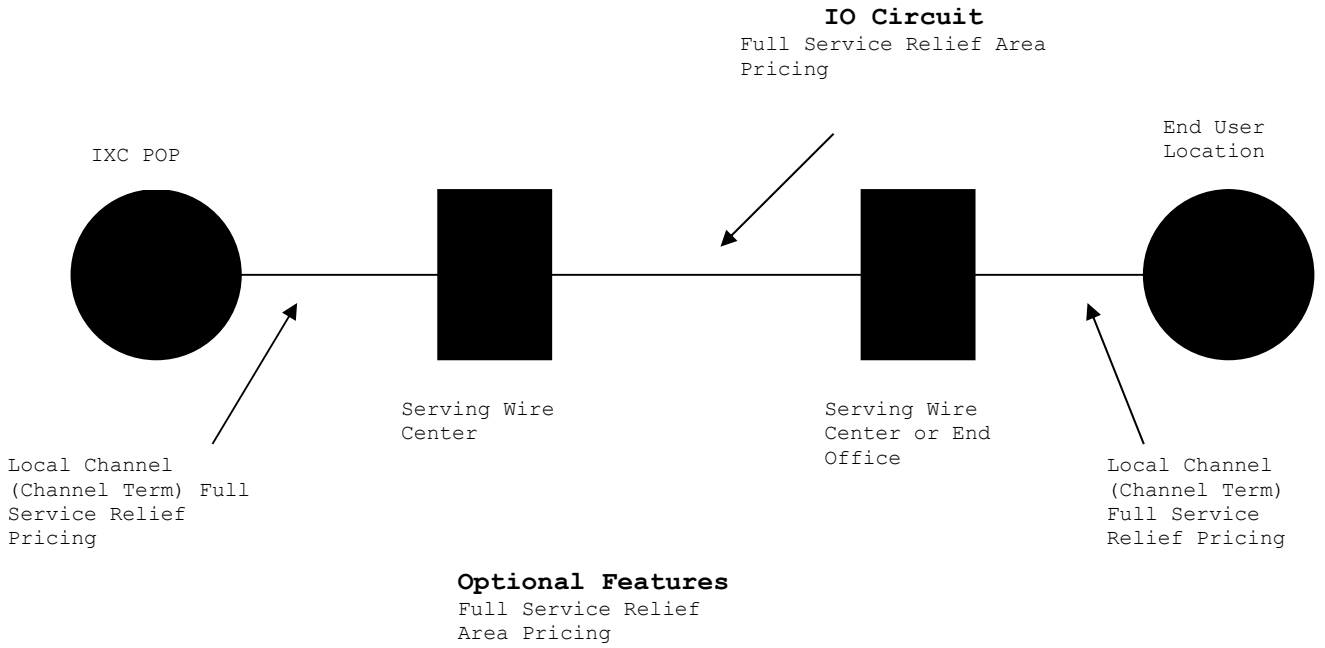


Figure 1

Effective: December 1, 2020

19. Metropolitan Statistical Area Access Services (Cont'd)

19.4 Application of Rates and Charges (Cont'd)

(B) Figure 2 illustrates services provided within an MSA located in a Limited Service Relief Area. The rates and charges for all associated rate elements for services in a Limited Service Relief Area are contained in Section 19.5, except for the local channels (channel terminations) between a LEC end office and a customer (end user) premises, which are referenced in Section 7.

Limited Service Relief Area

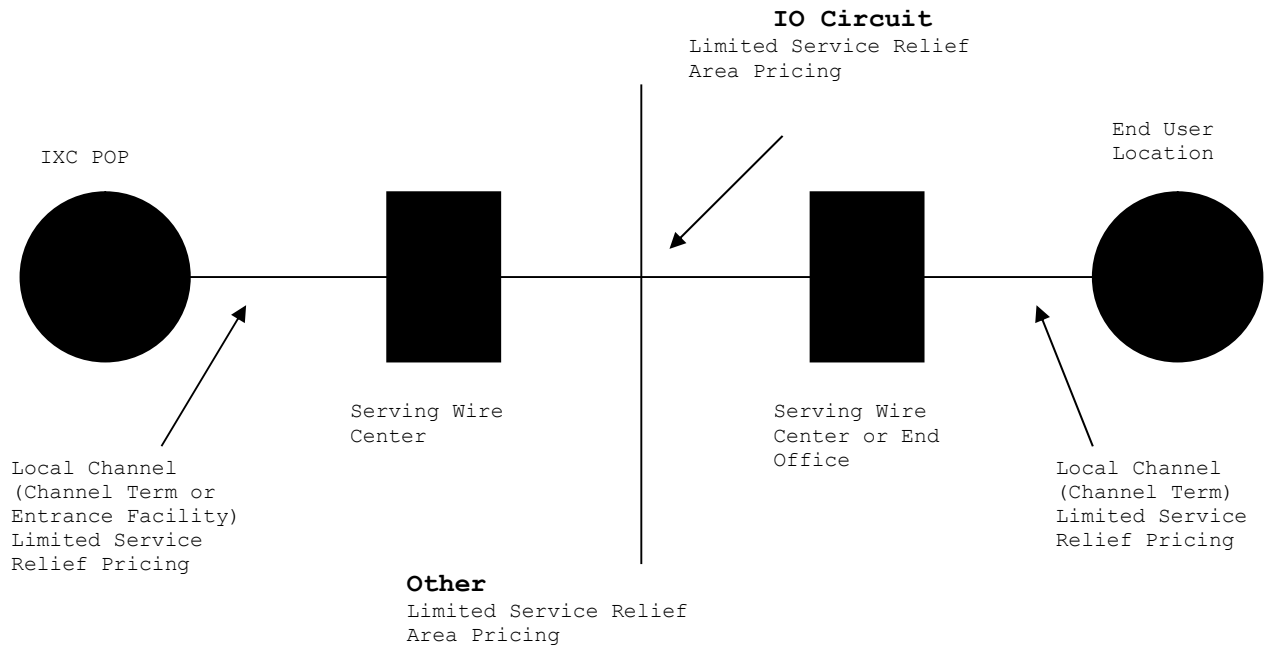


Figure 2

Effective: December 1, 2020

19. Metropolitan Statistical Area Access Services (Cont'd)

19.4 Application of Rates and Charges (Cont'd)

(C) Figure 3 illustrates a service provided from two MSA's with one MSA located in a Full Service Relief Area and one MSA located in a Limited Service Relief Area. The rates and Charges for local channels and optional features located in the Full Service Relief Area are obtained as previously stated in 19.4(A). The rates and charges for local channels and optional features located in the Limited Service Relief Area are obtained as stated in 19.4(B). Interoffice channels between a Full Service Relief Area and a Limited Service Relief Area are rated the same as that of an interoffice channel in a Limited Service Relief Area and rates and charges are obtained as stated in 19.4(B), preceding.

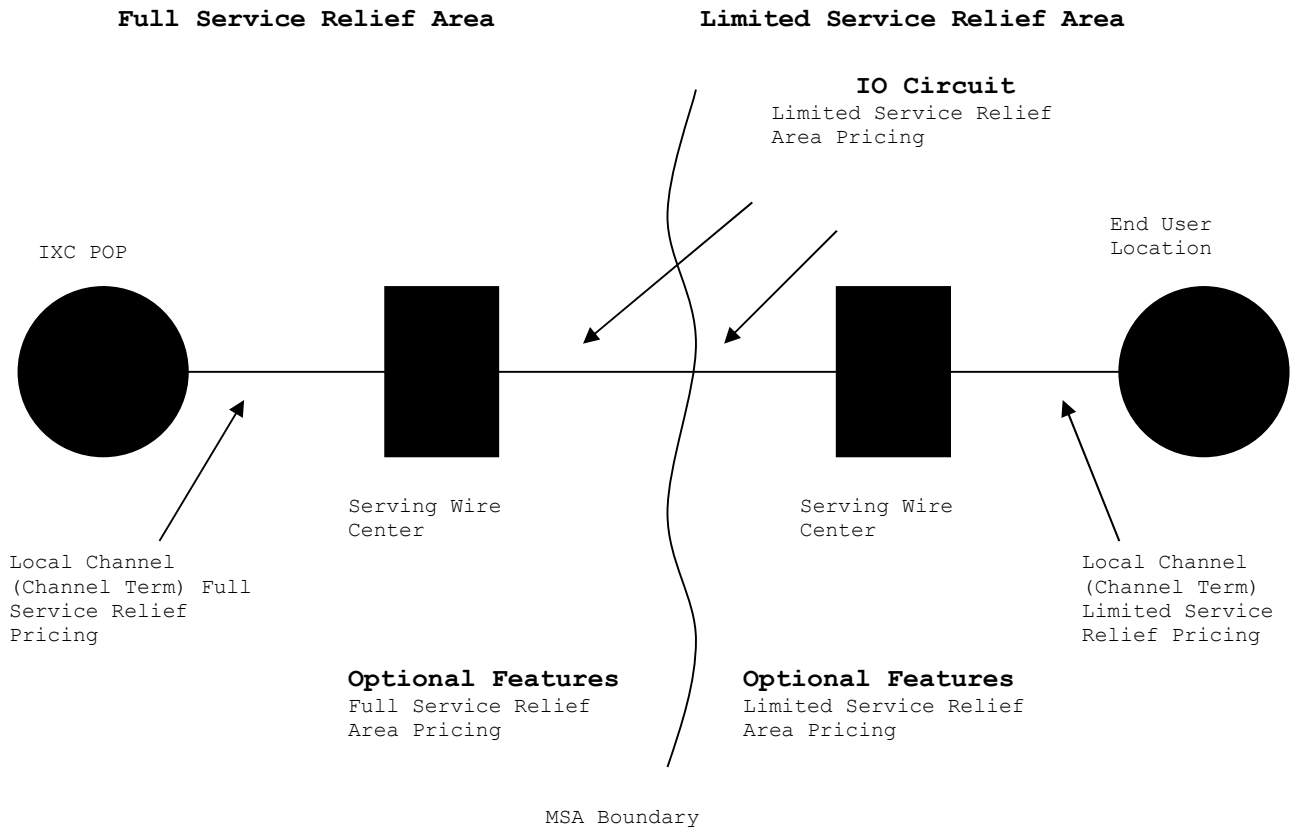


Figure 3

Effective: December 1, 2020

19. Metropolitan Statistical Area Access Services (Cont'd)

19.4 Application of Rates and Charges (Cont'd)

(D) Figure 4 illustrates a service provided from two MSAs with one MSA located in a Full Service Relief Area and one MSA located in a Non-Relief Area. The rates and charges for local channels and optional features located in the Full Service Relief Area are obtained as stated in 19.4(A) preceding.

Interoffice channels between a Full Service Relief Area and a Non-Relief Area are rated the same as that of an interoffice channel in a Non-Relief Area.

Rates and charges for local channels, interoffice channels and optional features in a Non-Relief Area are obtained in Section 6.8 and, Section 7 of this Guidebook.

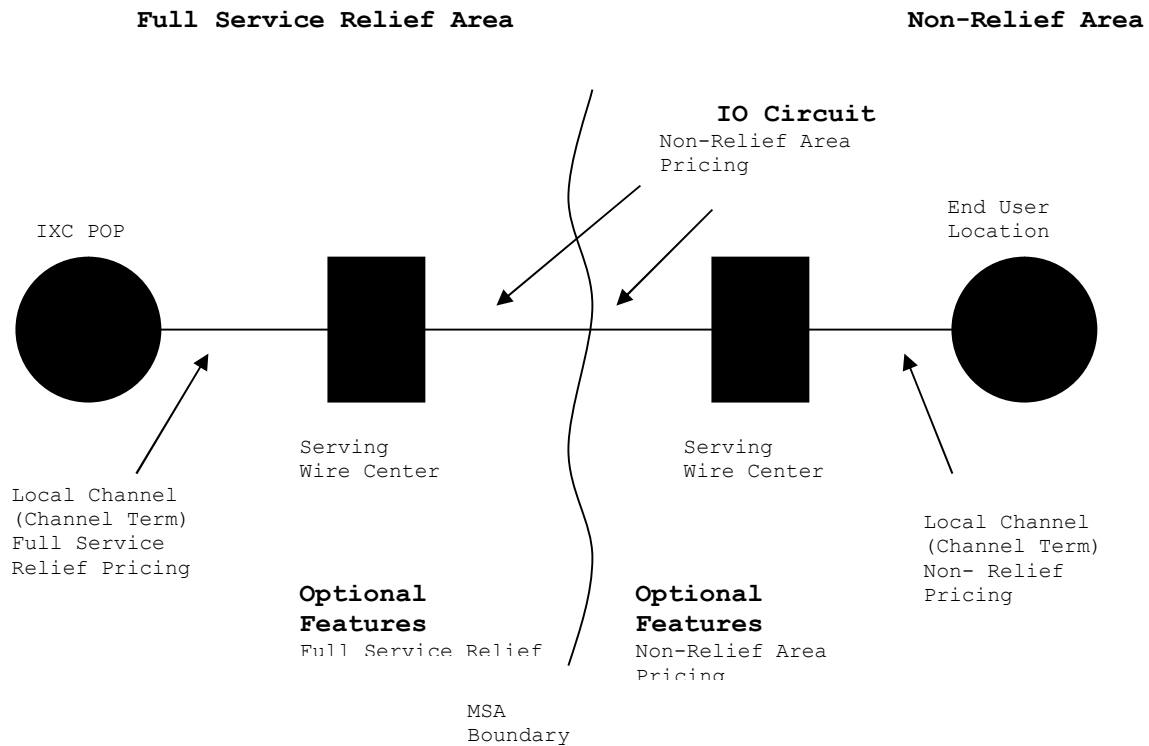


Figure 4

Effective: December 1, 2020

19. Metropolitan Statistical Area Access Services (Cont'd)

19.4 Application of Rates and Charges (Cont'd)

(E) Figure 5 illustrates a service provided from two MSAs with one MSA located in a Limited Service Relief Area and one MSA located in a Non-Relief Area. The rates and charges for local channels and optional features located in the Limited Service relief Area are obtained as stated in 19.4(B) preceding.

Interoffice channels between a Limited Service Relief Area and a Non-Relief Area are rated the same as that of an interoffice channel in a Non-Relief Area.

Rates and charges for local channels, interoffice channels and optional features in a Non-Relief Area are obtained in Section 6 and Section 7 of this Guidebook.

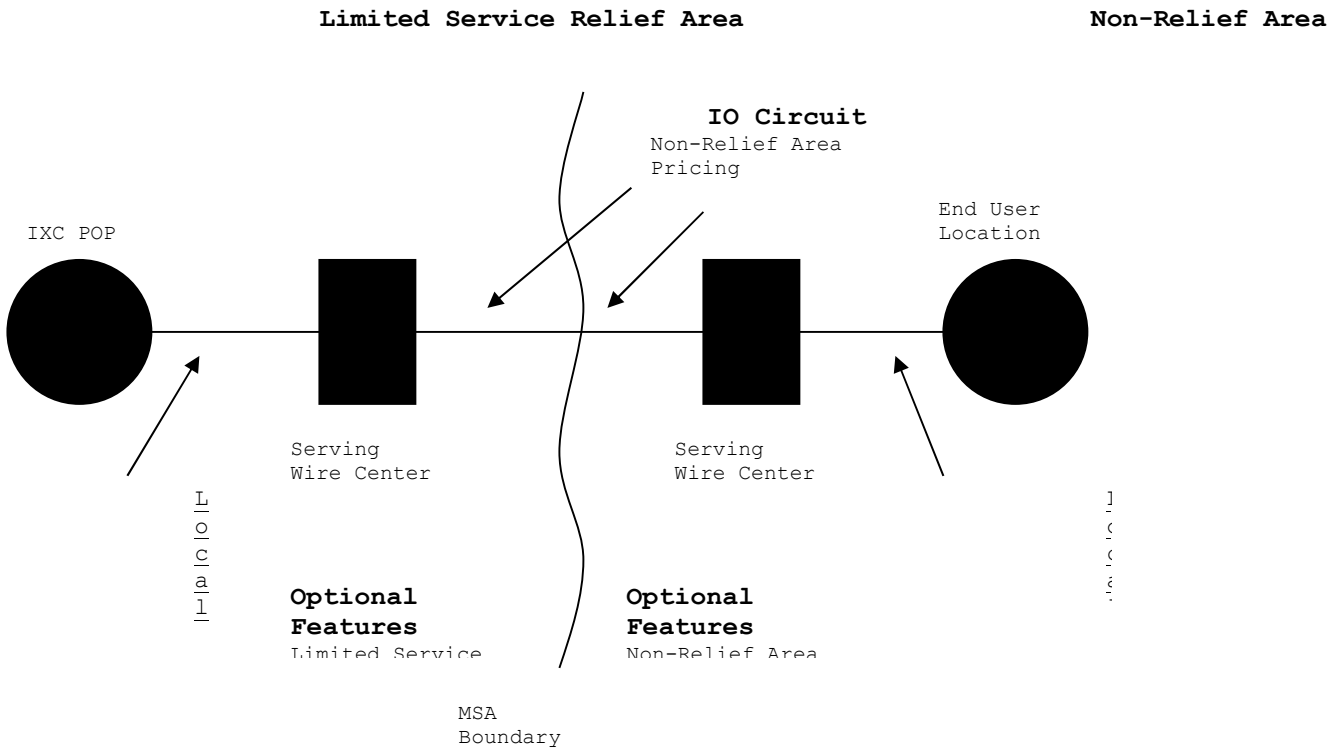


Figure 5

Effective: December 1, 2020

19. Metropolitan Statistical Area Access Services (Cont'd)19.5 Rates and Charges

19.5.1 Intentionally left blank

19.5.2 Special Access19.5.2.1 Metallic Service

Rates and Charges for Metallic Service are set forth in 17.1.2 preceding.

19.5.2.2 Telegraph Service

Rates and Charges for Telegraph Service are set forth in 17.1.3 preceding.

19.5.2.3 Voice Grade Service

Rates and Charges for Voice Grade Service are set forth in 17.1.4 preceding.

19.5.2.4 Program Audio Service

Rates and Charges for Program Audio Service are set forth in 17.1.5 preceding.

19.5.2.5 Video Service

Rates and Charges for Video Service are set forth in 17.1.6 preceding.

19.5.2.6 Digital Data Service

Rates and Charges for Digital Data Service are set forth in 17.1.7 preceding.

Effective: December 1, 2020

19. Metropolitan Statistical Area Access Services (Cont'd)19.5 Rates and Charges (Cont'd)19.5.2 Special Access (Cont'd)19.5.2.7 High Capacity DS1 Service

(A) Channel Termination, Per Termination

Rates and Charges for High Capacity DS1 Channel Terminations are set forth in 17.1.8 preceding.

(B) Channel Mileage

Rates and Charges for High Capacity DS1 Channel Mileage are set forth in 17.1.8 preceding.

C

(C) Optional Features and Functions

Rates and Charges for High Capacity DS1 Optional Features and Functions are set forth in 17.1.8 preceding.

Effective: December 1, 2020

19. Metropolitan Statistical Area Access Services (Cont'd)

19.5 Rates and Charges (Cont'd)

19.5.2 Special Access (Cont'd)

19.5.2.8 High Capacity DS3 Service - Monthly Rates

(A) Channel Termination, Per Termination

Rates and Charges for High Capacity DS3 Channel Terminations are set forth in 17.1.8 preceding.

(B) Channel Mileage

Rates and Charges for High Capacity DS3 Channel Mileage are set forth in 17.1.8 preceding. C

(C) Optional Features and Functions

Rates and Charges for High Capacity DS3 Optional Features and Functions are set forth in 17.1.8 preceding.

19.5.2.9 Intentionally blank

19.5.2.10 Intentionally blank

19.5.2.11 Intentionally blank

19.5.2.12 Digital FT1 Service

Rates and Charges for Digital FT1 Services are set forth in 17.1.8 preceding.

19.5.2.16 Synchronous Optical Channel Service

Rates and Charges for Synchronous Optical Channel Service are set forth in 17.1.10 preceding.

Effective: December 1, 2020

20. RESERVED FOR FUTURE USE

Effective: September 13, 2019

4001 Rodney Parham Rd.
Little Rock, AR 72212

21. RESERVED FOR FUTURE USE

Effective: September 13, 2019

4001 Rodney Parham Rd.
Little Rock, AR 72212

22. RESERVED FOR FUTURE USE

Effective: September 13, 2019

4001 Rodney Parham Rd.
Little Rock, AR 72212

23. Ethernet Virtual LAN Service ("EVLS")

23.1 Service Description

Ethernet Virtual LAN Service ("EVLS") is a high speed data service that provides LAN transport using Ethernet packet technology at transport speeds ranging from 1.5 Mbps to 1 Gbps. When a customer orders EVLS, the customer and the Telephone Company will work cooperatively to plan, engineer, provision and manage the EVLS circuits. EVLS is only available where identified in NATIONAL EXCHANGE CARRIER ASSOCIATION, INC. TARIFF F.C.C. NO. 4.

23.2 Service Provisioning

The Telephone Company will provide EVLS for one or more of the following types of Ethernet Virtual LAN operating speeds of:

- CIR 1.5 Mbps
- CIR 3.0 Mbps
- CIR 5.0 Mbps
- CIR 6.0 Mbps
- CIR 9.0 Mbps
- CIR 10.0 Mbps
- CIR 12.0 Mbps
- CIR 15.0 Mbps
- CIR 20.0 Mbps
- CIR 25.0 Mbps
- CIR 30.0 Mbps
- CIR 35.0 Mbps
- CIR 40.0 Mbps
- CIR 45.0 Mbps
- CIR 50.0 Mbps
- CIR 100.0 Mbps
- CIR 150.0 Mbps
- CIR 200.0 Mbps
- CIR 300.0 Mbps
- CIR 400.0 Mbps
- CIR 500.0 Mbps
- CIR 600.0 Mbps
- CIR 700.0 Mbps
- CIR 800.0 Mbps
- CIR 900.0 Mbps
- CIR 1.0 Gbps

Committed Information Rate ("CIR") is the guaranteed bandwidth amount across the circuit.

EVLS will be available 24 hours per day, 7 days per week, except as required to updated, enhance, maintain and/or repair the service. The Telephone Company reserves the right to perform these tasks, as needed, during off-peak hours, normally on Sundays from 12:00 a.m. to 6:00 a.m. In the event the Telephone Company needs to update, enhance, maintain and/or repair the service outside of this time it will make every attempt to provide 24 hour notice to the customer.

The electrical signals of EVLS operate in compliance with the following IEEE Standards 802.3ah and 802.1ag.

Effective: September 13, 2019

4001 Rodney Parham Rd.
Little Rock, AR 72212

23. Ethernet Virtual LAN Service ("EVLS") (Cont'd)23.3 Rate Regulations

The rates and charges for EVLS are set forth in Section 17.8.

EVLS is available on a month to month basis with a minimum service period of 12 months or under a term plan of 24, 36, 48 or 60 months. If a customer terminates the service prior to the expiration of the minimum service period or term plan, the customer will pay the Telephone Company a termination charge equal to all remaining amounts due or to become due prior to the end of the minimum service period or term plan.

Upon completion of the term plan the customer may renew the term plan. If the customer does not renew their term plan prior to the expiration date and does not elect to discontinue EVLS, the Telephone Company will continue to furnish EVLS to the customer as specified in the tariff at the month-to-month tariffed rates.

If the customer elects to upgrade their term plan, prior to the expiration of their current term, the monthly charges will be adjusted to the current tariffed rates in effect for the upgraded term at the time of the upgrade. There will be no credits or refunds made to the customer for payments made under the previous term, but nonrecurring charges will not be reapplied. If the customer reduces the number of ports in service, then termination charges will be applied for the removed service. The customer may not elect a term plan that is shorter than the remainder of the current term plan.

The customer may upgrade to a higher speed service or downgrade to a lower speed service without incurring termination charges.

The customer may add additional ports to its EVLS at the rates in effect at the time of such addition pursuant to the EVLS tariff, respectively, provided the Telephone Company has sufficient existing equipment. If sufficient equipment capacity or outside plant facilities are not available, the customer will be responsible for any special construction or other charges required to add such additional port(s) to its EVLS.

If the customer adds additional ports to its EVLS and the term for the initial port has not expired, then the following applies: a) the term selected for an additional port must be equal to or shorter than the remaining term for the initial port or b) the term period for the initial port will be extended to be coterminous with the term period selected for the additional port.

Effective: September 13, 2019

4001 Rodney Parham Rd.
Little Rock, AR 72212